



*“Quality Is Our Standard...
Customer Service Is Our Specialty”*



Brochure

 (616) 794-1130

 sales@beldingtank.com

 www.beldingtank.com

 (616) 794-3666



200 N. Gooding Street – P.O. Box 160 – Belding, MI 48809-0160

 Toll Free: (800) 253-4252

Ordering Instructions

Use the following checklist to provide your **Belding Tank**[®] sales representative with the information to properly design a tank for your particular service conditions:

- Any customer generated specifications that must be followed.
- Working capacity of the proposed tank.
- Tank model designation. (see explanation below)
- Desired tank diameter. (if critical)
- Height, width and weight limitations.
- Material to be stored in the tank, including concentrations and specific gravity.
- Minimum and maximum temperature conditions.
- Design conditions. (i.e., seismic loads, wind loads, snow loads, agitator loads, etc.)
- Fittings and accessories to be provided, and their description.
- Flange / Manhole gasket and bolt materials.
- Any exterior colored gel coat requirements. (Clear resin top-coat is standard)
- Whether U.V. absorber is required in the exterior resin layer.
- Maximum flame spread requirement. (if fire retardant resin is specified)
- Insulation requirements.
- Heat maintenance system requirements. (i.e., Maintain Temp. & Outside Ambient Temp.)
- Any special test procedures to be followed. (i.e., hydrostatic test)

Tanks intended for agitator service require the following information:

- Location verification – Tank Top or Sidewall.
- Weight of agitator with shaft and propeller.
- Downward load when running.
- Maximum torque. (Inch/lbs.)
- Maximum bending moment. (Inch/lbs.)
- Agitator mounting style – Flange or Rail.

Belding Tank[®] Model designation:

Closed Top, Flat Bottom, Vertical Sidewall
(see page 1 for Standard Model descriptions)

Tank nominal capacity (U.S. Gallons)
Capacities are figured to the top of the tank straight side.

MODEL CFV-9-4500

Tank nominal inside diameter (feet)

See tank capacity charts on pages 2 through 11 for each specific model.



Standard Models

As a renowned leader in the fiberglass industry, with over 100 years of combined experience, **Belding Tank®**, located in Belding, Michigan, continues to provide quality tanks and excellent customer service from one of the newest facilities in the industry. We operate with over 35,000 square feet of manufacturing space located on ten plus acres.



We manufacture a wide variety of custom filament wound and contact molded tanks with sizes ranging from 2 feet to 30 feet in diameter.

We feature cone bottom, dish bottom, flat bottom, slope bottom, horizontal and double wall tank design. Whatever your needs, you can bet **Belding Tank®** has a quality tank for you.

We're proud of our reputation for superior products and customer service. When it comes to fiberglass tanks, we'll work closely with you through every step of the process to ensure you get exactly what you need.

Your complete satisfaction is our number one goal.



Model OFV

Pages 2 – 3

Open Top, Flat Bottom, Vertical Sidewall



Model CFV

Pages 2 – 3

Closed Dome Top, Flat Bottom, Vertical Sidewall



Model OSV-I

Pages 4 – 5

Open Top, Internal Sloped Bottom, Vertical Sidewall



Model CSV-I

Pages 4 – 5

Closed Dome Top, Internal Sloped Bottom, Vertical Sidewall



Model OSV-X

Pages 6 – 7

Open Top, External Sloped Bottom, Vertical Sidewall



Model CSV-X

Pages 6 – 7

Closed Dome Top, External Sloped Bottom, Vertical Sidewall



Model ODV

Pages 8 – 9

Open Top, Dished Bottom, Vertical Sidewall



Model CDV

Pages 8 – 9

Closed Dome Top, Dished Bottom, Vertical Sidewall



Model OKV

Pages 10 – 11

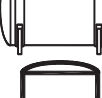
Open Top, 90° Cone Bottom, Vertical Sidewall



Model CKV

Pages 10 – 11

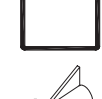
Closed Dome Top, 90° Cone Bottom, Vertical Sidewall



Model CCH

Pages 12 – 13

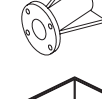
Closed Dished Ends, Horizontal Sidewall



Field Assembled

Pages 14 – 15

16', 20', 25' & 30' Diameters, Vertical Sidewall



Fittings

Page 16

& Accessories



Bins

Page 17

& Rectangular



Dual-Tek®

Page 18

Double Wall Containment Tanks



Brine-Tek®

Page 19

Brinemaker Tanks & Accessories

Pickle Tanks

Pages 20 – 21

Design Features

Pages 22 – 23

Construction

Page 24

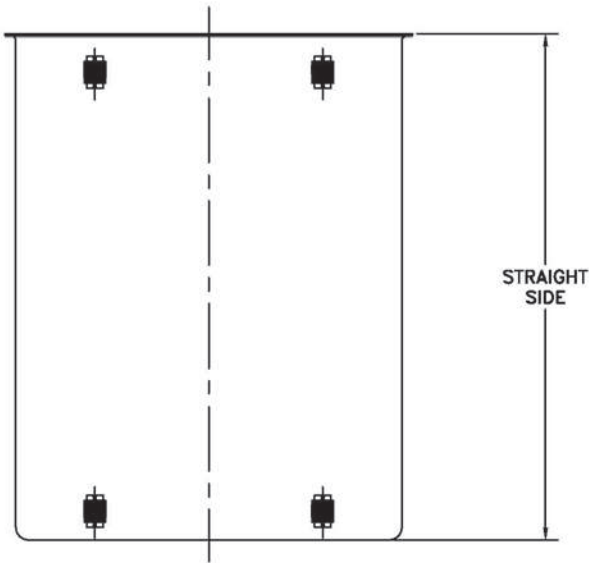
Handling & Installation

Page 25

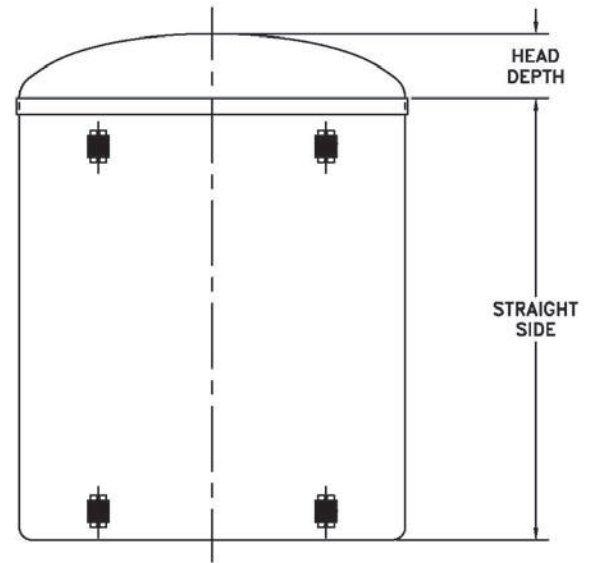
Warranty – Terms of Sale

Pages 26 – 27

MODEL OFV & CFV



C-OFV



C-CFV

CAPACITIES (U.S. Gallons)

Tank Nominal DIAMETER (Inches)	STRAIGHT SIDE LENGTH (Inches)														
	ONE Section								TWO Section						
	24	30	36	42	48	54	60	66	72	78	84	90	96	108	120
24	45	57	68	80	92	103	115	127	139	149	161	173	184	208	231
30	73	91	110	129	148	167	186	205	224	243	263	282	301	334	372
36	95	120	144	169	194	220	245	271	297	323	349	376	403	441	492
42	140	176	212	248	285	321	358	395	431	469	506	543	581	644	717
48	175	220	265	310	356	401	447	494	540	587	633	681	728	804	896
54	236	296	355	415	474	534	593	653	712	772	831	891	950	1069	1188
60	286	358	431	504	578	651	725	800	874	949	1024	1099	1175	1327	1481
66	353	442	531	620	709	798	887	975	1064	1153	1242	1331	1420	1597	1775
72	402	504	606	708	811	914	1017	1121	1224	1329	1433	1538	1643	1853	2065
84	555	695	836	978	1120	1262	1405	1549	1693	1837	1982	2128	2274	2567	2862
90	658	823	989	1154	1319	1484	1650	1815	1980	2145	2311	2476	2641	2972	3302
96	727	911	1095	1280	1465	1651	1837	2023	2210	2398	2586	2775	2964	3343	3725
108	897	1124	1350	1578	1805	2033	2262	2491	2720	2950	3180	3411	3643	4106	4572
120	1143	1432	1722	2012	2302	2593	2885	3178	3471	3764	4059	4354	4649	5242	5838
132	1416	1771	2126	2482	2837	3193	3548	3904	4259	4615	4970	5325	5681	6392	7103
138	1515	1897	2280	2663	3046	3430	3815	4201	4586	4973	5360	5748	6136	6914	7695
144	1676	2099	2522	2947	3372	3798	4225	4652	5081	5510	5940	6372	6803	7670	8539
156	1970	2467	2963	3460	3956	4452	4949	5445	5942	6438	6935	7431	7928	8921	9913
168	2183	2734	3287	3840	4394	4949	5504	6061	6618	7176	7734	8294	8854	9977	11102

DIA. Inches	Gallons Per Inch	Head Depth
24	1.93	4
30	3.14	5
36	4.19	6
42	6.06	7
48	7.58	8
54	9.90	9
60	12.09	10
66	14.80	11
72	17.21	12
84	24.02	14
90	27.53	15
96	31.66	16
108	38.72	18
120	49.49	20
132	59.22	22
138	64.82	23
144	72.39	24
156	82.68	26
168	93.08	28

General Notes:

1. Diameters smaller than 72" are Contact Molded per ASTM D-4097.
2. Diameters 72" and larger are Filament Wound per ASTM D-3299.
3. Heavy powder coated carbon steel lifting lugs, as required for handling.

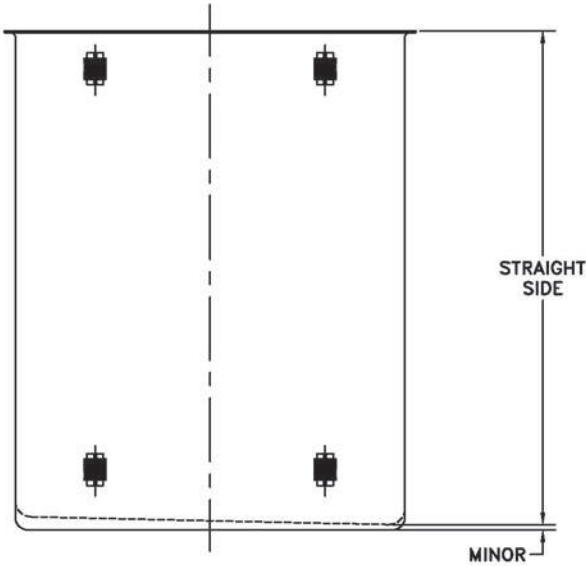
OPTIONAL FEATURES

- **Integral FLAT Top Head**
- **Flat Cover for Open Top (1 pc. / 2 pc. / 3 pc.)**

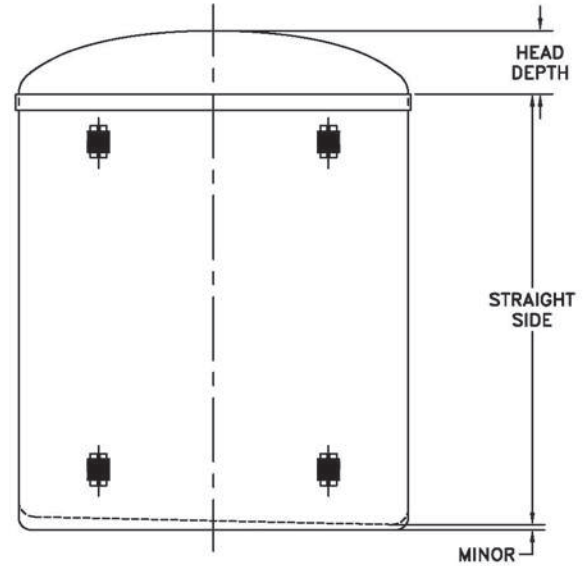
CAPACITIES (U.S. Gallons)

Tank Nominal DIAMETER (Inches)	STRAIGHT SIDE LENGTH (Inches)														
	ONE Section												TWO Section		
	132	144	168	192	204	216	240	264	288	312	336	360	384	408	444
24	255														
30	410	449	526												
36	543	595	700												
42	790	864	1013												
48	989	1081	1268												
54	1307	1426	1664	1902	2021	2140	2378	2616	2854	3092	3329	3567	3805	4043	4400
60	1601	1750	2050	2352	2504	2657									
66	1953	2131	2486	2842	3019	3197	3552	3908	4263	4619	4974	5330	5685	6041	6574
72	2279	2493	2925	3362	3583	3804	4251	4560	4988	5419	5853	6289	6727	7168	7833
84	3159	3459	3967	4550	4842	5136	5727	6321							
90	3633	3963	4624	5285	5615	5946	6607	7268	7929	8590	9251	9912	10573	11234	12225
96	4108	4493	5270	6055	6450	6689	7452	8219	8990	9764	10543	11325	12112	12903	
108	5040	5509	6453	7405	7884	8364	9147	10082	11021	11964	12910	13859	14813	15770	
120	6436	7036	8244	9463	10076	10691	11681	12877	14077	15283	16494	17710	18931	20157	
132	7814	8524	9946	11368	12079	12790	14212	15633	17055	18477	19899	21321	22742	24164	26297
138	8478	9263	10841	12428	13225	13836	15397	16963	18533	20109	21689	23273	24863		
144	9412	10289	12051	13827	14721	15617	17085	18831	20584	22343	24109	25882	27662	29448	
156	10906	11899	13885	15871	16864	17857	19843	21828	23814	25800	27786	29772	31757	33743	36722
168	12231	13364	15637	17724	18846	19970	22221	24479	26744	29014					

MODEL OSV-I & CSV-I



C-OSV-I



C-CSV-I

CAPACITIES (U.S. Gallons)

	ONE Section				STRAIGHT SIDE LENGTH (Inches)								TWO Section			
	24	30	36	42	48	54	60	66	72	78	84	90	96	108	120	
24	45	56	68	80	91	103	115	126	138	149	161	172	184	207	231	
30	72	90	109	128	147	166	185	204	223	242	261	281	300	333	371	
36	93	118	143	168	193	218	244	269	295	321	348	374	388	439	490	
42	138	174	210	246	282	318	355	392	429	466	503	541	578	641	714	
48	172	216	261	307	352	398	444	490	536	583	630	677	709	801	893	
54	231	290	350	409	469	528	588	647	706	766	825	885	944	1063	1182	
60	278	351	423	497	570	644	718	792	866	941	1016	1092	1167	1319	1445	
66	343	432	521	610	699	788	876	965	1054	1143	1232	1321	1410	1587	1765	
72	390	492	594	696	799	902	1005	1108	1212	1316	1420	1525	1630	1841	2053	
84	535	675	816	958	1100	1242	1385	1528	1672	1817	1962	2107	2253	2546	2841	
90	633	798	963	1129	1294	1459	1624	1790	1955	2120	2285	2451	2616	2946	3277	
96	697	881	1065	1249	1435	1620	1806	1993	2180	2367	2555	2744	2933	3312	3693	
108	856	1082	1308	1535	1763	1991	2219	2448	2678	2907	3138	3368	3600	4063	4529	
120	1084	1372	1662	1952	2242	2533	2825	3117	3410	3704	3998	4293	4588	5181	5776	
132	1335	1690	2045	2401	2756	3112	3467	3823	4178	4534	4889	5244	5600	6311	7022	
138	1424	1806	2188	2571	2955	3339	3723	4109	4494	4881	5268	5655	6043	6821	7601	
144	1571	1993	2417	2841	3266	3692	4118	4546	4974	5403	5833	6264	6696	7562	8431	
156	1836	2333	2829	3326	3822	4319	4815	5311	5808	6304	6801	7297	7794	8787	9780	
168	2119	2695	3270	3846	4422	4998	5573	6149	6725	7301	7876	8452	9028	10180	11331	

Tank Nominal DIAMETER (Inches)

DIA. Inches	Gallons Per Inch	Head Depth
24	1.93	4
30	3.14	5
36	4.19	6
42	6.06	7
48	7.58	8
54	9.90	9
60	11.80	10
66	14.80	11
72	17.46	12
84	24.02	14
90	27.53	15
96	31.66	16
108	38.72	18
120	49.49	20
132	59.22	22
138	64.82	23
144	72.39	24
156	82.68	26
168	93.08	28

General Notes:

1. Diameters smaller than 72" are Contact Molded per ASTM D-4097.
2. Diameters 72" and larger are Filament Wound per ASTM D-3299.
3. Heavy powder coated carbon steel lifting lugs, as required for handling.
4. 1/4" / ft. internal sloped bottom standard.
5. Standard MINOR is 1".

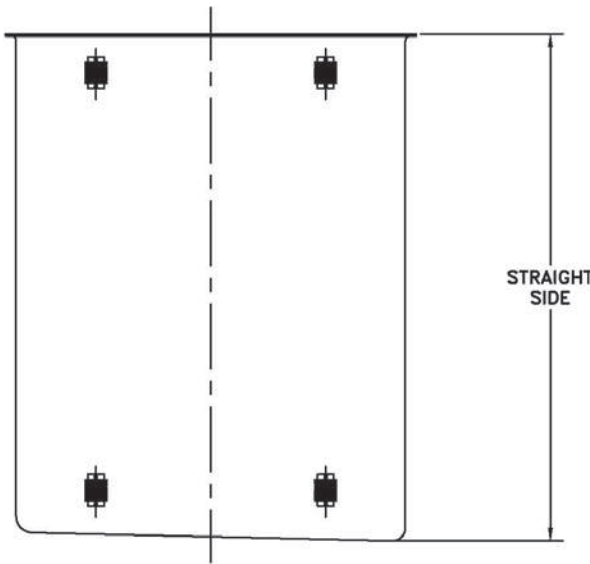
OPTIONAL FEATURES

- Integral FLAT Top Head
- Flat Cover for Open Top (1 pc. / 2 pc. / 3 pc.)
- Increase Minor Height

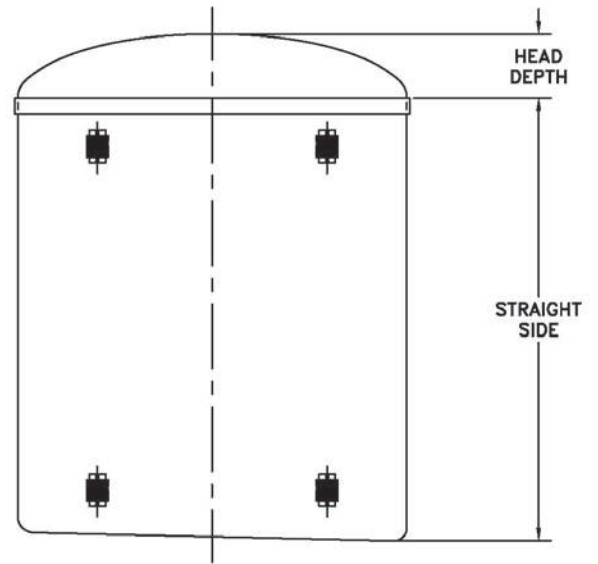
CAPACITIES (U.S. Gallons)

Tank Nominal DIAMETER (Inches)	STRAIGHT SIDE LENGTH (Inches)														
	ONE Section												TWO Section		
	132	144	168	192	204	216	240	264	288	312	336	360	384	408	444
24	254														
30	409	448	525												
36	542	593	698												
42	788	862	1010												
48	985	1078	1264												
54	1301	1420	1658	1896	2015	2134	2372	2610	2848	3086	3324	3562	3800	4038	4395
60	1593	1742	2042	2344	2496	2649									
66	1943	2120	2476	2831	3009	3187	3542	3898	4253	4609	4964	5319	5675	6030	6564
72	2266	2480	2912	3349	3569	3791	4237	4547	4975	5406	5840	6276	6714	7154	7820
84	3138	3437	3946	4529	4822	5115	5706	6300							
90	3607	3938	4599	5260	5590	5921	6582	7243	7903	8564	9225	9886	10547	11208	12200
96	4076	4462	5238	6022	6417	6658	7421	8187	8958	9732	10511	11293	12080	12870	
108	4996	5465	6409	7361	7839	8319	9104	10039	10978	11920	12866	13815	14769	15726	
120	6374	6974	8182	9399	10012	10627	11619	12815	14015	15221	16431	17647	18868	20093	
132	7732	8443	9865	11287	11998	12708	14130	15552	16974	18396	19817	21239	22661	24083	26216
138	8384	9169	10746	12332	13128	13742	15303	16868	18438	20013	21592	23176	24765		
144	9303	10179	11941	13717	14609	15506	16977	18722	20475	22234	23999	25772	27551	29337	
156	10772	11765	13751	15737	16730	17723	19709	21694	23680	25666	27652	29638	31623	33609	36588
168	12483	13634	15937	18240	19392	20543	22846	25150	27453	29756	32059	34362	36665	38968	42423

MODEL OSV-X & CSV-X



C-OSV-X



C-CSV-X

CAPACITIES (U.S. Gallons)

	STRAIGHT SIDE LENGTH (Inches)														
	ONE Section								TWO Section						
	24	30	36	42	48	54	60	66	72	78	84	90	96	108	120
24	45	56	68	80	91	103	115	126	138	149	161	172	184	207	231
30	72	90	109	128	147	166	185	204	223	242	261	281	300	333	371
36	93	118	143	168	193	218	244	269	295	321	348	374	388	439	490
42	138	174	210	246	282	318	355	392	429	466	503	541	578	641	714
48	172	216	261	307	352	398	444	490	536	583	630	677	709	801	893
54	231	290	350	409	469	528	588	647	706	766	825	885	944	1063	1182
60	278	351	423	497	570	644	718	792	866	941	1016	1092	1167	1319	1445
66	343	432	521	610	699	788	876	965	1054	1143	1232	1321	1410	1587	1765
72	390	492	594	696	799	902	1005	1108	1212	1316	1420	1525	1630	1841	2053
84	535	675	816	958	1100	1242	1385	1528	1672	1817	1962	2107	2253	2546	2841
90	633	798	963	1129	1294	1459	1624	1790	1955	2120	2285	2451	2616	2946	3277
96	697	881	1065	1249	1435	1620	1806	1993	2180	2367	2555	2744	2933	3312	3693
108	856	1082	1308	1535	1763	1991	2219	2448	2678	2907	3138	3368	3600	4063	4529
120	1084	1372	1662	1952	2242	2533	2825	3117	3410	3704	3998	4293	4588	5181	5776
132	1335	1690	2045	2401	2756	3112	3467	3823	4178	4534	4889	5244	5600	6311	7022
138	1424	1806	2188	2571	2955	3339	3723	4109	4494	4881	5268	5655	6043	6821	7601
144	1571	1993	2417	2841	3266	3692	4118	4546	4974	5403	5833	6264	6696	7562	8431
156	1836	2333	2829	3326	3822	4319	4815	5311	5808	6304	6801	7297	7794	8787	9780
168	2119	2695	3270	3846	4422	4998	5573	6149	6725	7301	7876	8452	9028	10180	11331

Tank Nominal DIAMETER (Inches)

DIA. Inches	Gallons Per Inch	Head Depth
24	1.93	4
30	3.14	5
36	4.19	6
42	6.06	7
48	7.58	8
54	9.90	9
60	11.80	10
66	14.80	11
72	17.46	12
84	24.02	14
90	27.53	15
96	31.66	16
108	38.72	18
120	49.49	20
132	59.22	22
138	64.82	23
144	72.39	24
156	82.68	26
168	93.08	28

General Notes:

1. Diameters smaller than 72" are Contact Molded per ASTM D-4097.
2. Diameters 72" and larger are Filament Wound per ASTM D-3299.
3. Heavy powder coated carbon steel lifting lugs, as required for handling.
4. 1/4" / ft. external sloped bottom standard.

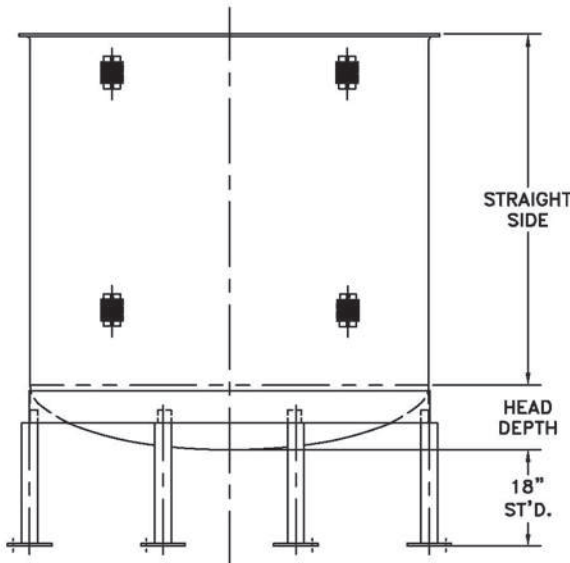
OPTIONAL FEATURES

- Integral FLAT Top Head
- Flat Cover for Open Top (1 pc. / 2 pc. / 3 pc.)

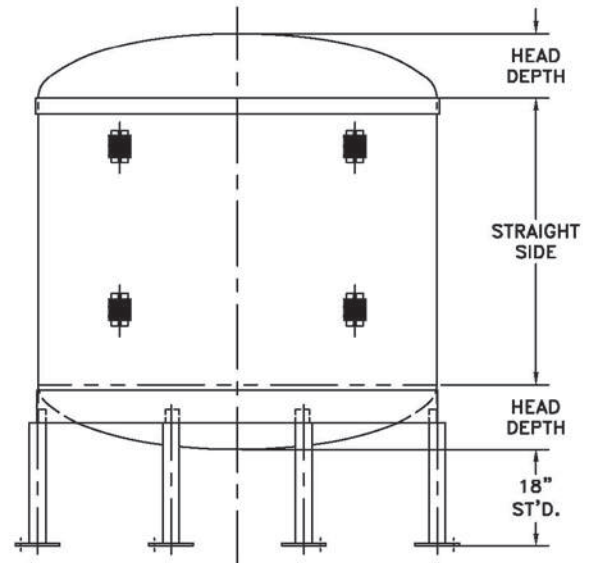
CAPACITIES (U.S. Gallons)

Tank Nominal DIAMETER (Inches)	STRAIGHT SIDE LENGTH (Inches)														
	ONE Section												TWO Section		
	132	144	168	192	204	216	240	264	288	312	336	360	384	408	444
24	254														
30	409	448	525												
36	542	593	698												
42	788	862	1010												
48	985	1078	1264												
54	1301	1420	1658	1896	2015	2134	2372	2610	2848	3086	3324	3562	3800	4038	4395
60	1593	1742	2042	2344	2496	2649									
66	1943	2120	2476	2831	3009	3187	3542	3898	4253	4609	4964	5319	5675	6030	6564
72	2266	2480	2912	3349	3569	3791	4237	4547	4975	5406	5840	6276	6714	7154	7820
84	3138	3437	3946	4529	4822	5115	5706	6300							
90	3607	3938	4599	5260	5590	5921	6582	7243	7903	8564	9225	9886	10547	11208	12200
96	4076	4462	5238	6022	6417	6658	7421	8187	8958	9732	10511	11293	12080	12870	
108	4996	5465	6409	7361	7839	8319	9104	10039	10978	11920	12866	13815	14769	15726	
120	6374	6974	8182	9399	10012	10627	11619	12815	14015	15221	16431	17647	18868	20093	
132	7732	8443	9865	11287	11998	12708	14130	15552	16974	18396	19817	21239	22661	24083	26216
138	8384	9169	10746	12332	13128	13742	15303	16868	18438	20013	21592	23176	24765		
144	9303	10179	11941	13717	14609	15506	16977	18722	20475	22234	23999	25772	27551	29337	
156	10772	11765	13751	15737	16730	17723	19709	21694	23680	25666	27652	29638	31623	33609	36588
168	12483	13634	15937	18240	19392	20543	22846	25150	27453	29756	32059	34362	36665	38968	42423

MODEL ODV & CDV



C-ODV



C-CDV

CAPACITIES (U.S. Gallons)

Tank Nominal DIAMETER (Inches)	ONE Section				STRAIGHT SIDE LENGTH (Inches)								TWO Section		
	24	30	36	42	48	54	60	66	72	78	84	90	96	108	120
	24	50	61	73	85	96	108	120	131	143	154	166	177	189	212
30	82	101	120	138	157	176	195	214	233	253	272	292	306	344	382
36	109	133	158	183	208	233	259	285	311	337	363	390	404	454	505
42	166	202	238	274	311	347	384	420	457	495	532	569	597	670	743
48	210	255	300	345	391	437	482	529	575	622	668	716	748	840	931
54	292	352	411	471	530	590	649	709	768	828	887	947	1006	1125	1244
60	358	431	503	577	650	724	798	872	946	1021	1096	1172	1248	1400	1553
66	455	544	633	722	810	899	988	1077	1166	1255	1344	1432	1521	1699	1877
72	524	626	728	830	933	1036	1139	1242	1346	1450	1555	1659	1764	1975	2187
84	751	891	1032	1174	1316	1458	1601	1745	1889	2033	2178	2324	2470	2763	3058
90	915	1081	1246	1411	1576	1742	1907	2072	2237	2403	2568	2733	2898	3229	3559
96	1022	1205	1389	1574	1759	1945	2131	2318	2505	2692	2880	3069	3258	3637	4019
108	1304	1530	1757	1984	2211	2440	2668	2897	3127	3357	3587	3818	4049	4513	4979
120	1727	2015	2305	2595	2885	3177	3468	3761	4054	4348	4642	4937	5232	5825	6421
132	2227	2583	2938	3294	3649	4005	4360	4715	5071	5426	5782	6137	6493	7204	7914
138	2402	2784	3167	3550	3933	4317	4702	5088	5473	5860	6247	6635	7023	7801	8582
144	2707	3130	3553	3978	4403	4829	5256	5684	6112	6542	6972	7403	7835	8701	9571
156	3316	3813	4309	4806	5302	5799	6295	6791	7288	7784	8281	8777	9274	10267	11260
168	3734	4285	4838	5391	5945	6500	7055	7612	8169	8726	9285	9845	10405	11528	12653

DIA. Inches	Gallons Per Inch	Head Depth	Head Capacity
24	1.93	4	4
30	3.14	5	9
36	4.19	6	13
42	6.06	7	25
48	7.58	8	34
54	9.90	9	55
60	11.80	10	71
66	14.80	11	100
72	17.46	12	120
84	24.02	14	194
90	27.53	15	255
96	31.66	16	292
108	38.72	18	404
120	49.49	20	578
132	59.22	22	806
138	64.82	23	881
144	72.39	24	1025
156	82.68	26	1331
168	93.08	28	1535

General Notes:

1. Diameters smaller than 72" are Contact Molded per ASTM D-4097.
2. Diameters 72" and larger are Filament Wound per ASTM D-3299.
3. Carbon steel primed pipe legs with floor pads.
4. Heavy powder coated carbon steel lifting lugs, as required for handling.

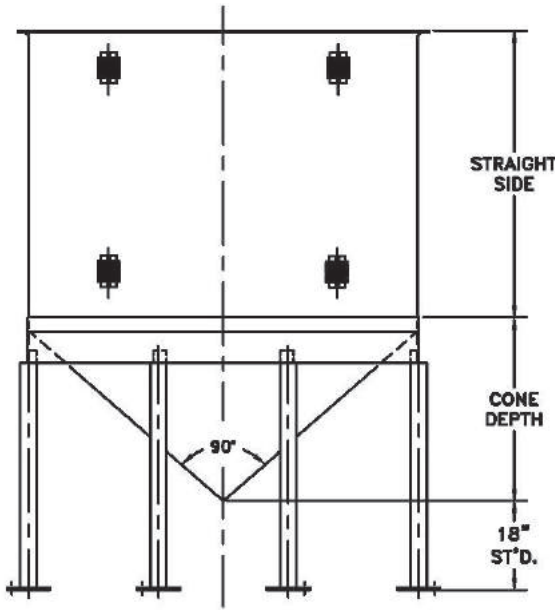
OPTIONAL FEATURES

- FRP Skirt Support
- Integral FLAT Top Head
- Flat Cover for Open Top (1 pc. / 2 pc. / 3 pc.)

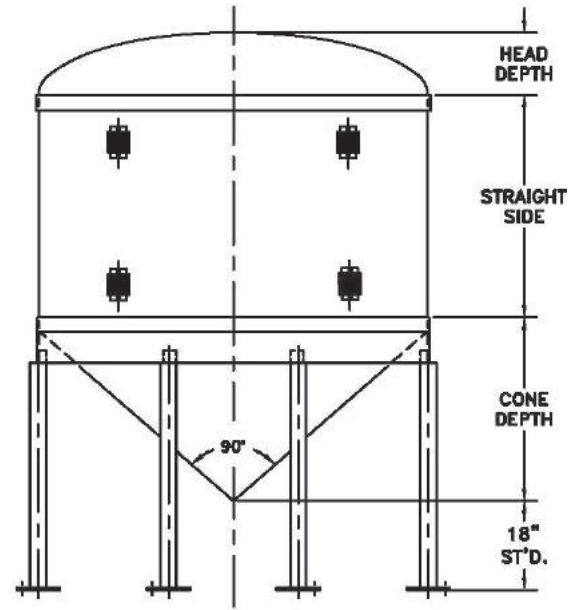
CAPACITIES (U.S. Gallons)

Tank Nominal DIAMETER (Inches)	STRAIGHT SIDE LENGTH (Inches)														
	ONE Section												TWO Section		
	132	144	156	168	180	192	204	216	228	240	252	264	276	288	312
24	259														
30	420	458	497	536											
36	557	609	661	714											
42	816	890	965	1039											
48	1024	1117	1210	1303											
54	1363	1482	1601	1720	1839	1958	2077	2196	2315	2434	2553	2672	2791	2910	3148
60	1673	1822	1972	2122	2273	2425	2577	2729	2882						
66	2054	2232	2410	2588	2765	2943	3121	3299	3476	3654	3832	4009	4187	4365	4720
72	2400	2615	2830	3047	3265	3484	3704	3926	4149	4373	4468	4681	4895	5110	5541
84	3355	3655	3873	4163	4454	4746	5038	5332	5627	5923	6220	6517			
90	3890	4220	4551	4881	5212	5542	5873	6203	6534	6864	7195	7525	7856	8186	8847
96	4402	4788	5175	5564	5956	6349	6744	6983	7364	7746	8129	8513	8898	9284	10059
108	5446	5916	6387	6860	7335	7812	8290	8771	9088	9554	10021	10489	10958	11428	12370
120	7019	7619	8222	8827	9435	10046	10659	11274	11668	12264	12861	13460	14060	14661	15866
132	8625	9336	10047	10758	11469	12180	12891	13602	14313	15023	15734	16445	17156	17867	19289
138	9364	10150	10937	11727	12519	13314	14111	14722	15502	16283	17065	17848	18633	19419	20994
144	10444	11320	12200	13083	13969	14859	15752	16649	17246	18117	18989	19863	20738	21615	23375
156	12252	13245	14238	15231	16224	17217	18210	19203	20196	21189	22182	23174	24167	25160	27146
168	13782	14915	16050	17188	18155	19275	20397	21521	22646	23772	24901	26030	27162	28295	30565

MODEL OKV & CKV



C-OKV



C-CKV

CAPACITIES (U.S. Gallons)

Tank Nominal DIAMETER (Inches)	ONE Section				STRAIGHT SIDE LENGTH (Inches)								TWO Section			
	24	30	36	42	48	54	60	66	72	78	84	90	96	108	120	
	24	54	65	77	89	100	112	124	135	146	158	170	181	193	216	240
30	88	107	126	144	163	182	201	220	239	259	278	298	312	350	388	
36	112	136	161	186	211	236	262	288	314	340	366	393	407	457	508	
42	182	218	254	290	327	363	400	436	473	511	548	585	613	686	759	
48	219	264	309	354	400	446	491	538	584	631	677	725	757	849	940	
54	326	386	445	505	564	624	683	743	802	862	921	981	1040	1159	1278	
60	372	445	517	591	664	738	812	886	960	1035	1110	1186	1262	1414	1539	
66	518	607	696	785	873	962	1051	1140	1229	1318	1407	1495	1584	1762	1940	
72	560	662	764	866	969	1072	1175	1278	1382	1486	1591	1695	1800	2011	2223	
84	833	973	1114	1256	1398	1540	1683	1827	1971	2115	2260	2406	2552	2845	3140	
90	1073	1239	1404	1569	1734	1900	2065	2230	2395	2561	2726	2891	3056	3387	3717	
96	1152	1335	1519	1704	1889	2075	2261	2448	2635	2822	3010	3199	3388	3767	4149	
108	1486	1712	1939	2166	2394	2622	2850	3079	3309	3539	3769	4000	4231	4695	5161	
120	2012	2300	2590	2880	3170	3462	3753	4046	4339	4633	4927	5222	5517	6110	6706	
132	2724	3080	3435	3791	4146	4502	4857	5212	5568	5923	6279	6634	6990	7701	8411	
138	2792	3174	3557	3940	4323	4707	5092	5478	5863	6250	6637	7025	7413	8191	8972	
144	3204	3627	4050	4475	4900	5326	5753	6181	6609	7039	7469	7900	8332	9198	10068	
156	4136	4633	5129	5626	6122	6619	7115	7611	8108	8604	9101	9597	10094	11087	12080	
168	4695	5246	5799	6352	6906	7461	8016	8573	9130	9687	10246	10806	11366	12489	13614	

DIA. Inches	Gallons Per Inch	Head Depth	Cone Depth	Cone Capacity
24	1.93	4	12	8
30	3.14	5	15	15
36	4.19	6	15	16
42	6.06	7	21	41
48	7.58	8	21	43
54	9.90	9	27	89
60	11.80	10	27	85
66	14.80	11	33	163
72	17.46	12	33	156
84	24.02	14	39	276
90	27.53	15	45	413
96	31.66	16	45	422
108	38.72	18	51	586
120	49.49	20	58	863
132	59.22	22	66	1303
138	64.82	23	65	1271
144	72.39	24	70	1522
156	82.68	26	78	2151
168	93.08	28	82	2496

General Notes:

1. Diameters smaller than 72" are Contact Molded per ASTM D-4097.
2. Diameters 72" and larger are Filament Wound per ASTM D-3299.
3. Carbon steel primed pipe legs with floor pads.
4. Heavy powder coated carbon steel lifting lugs, as required for handling.
5. Standard cone angle is 90° at the apex (Included Angle).

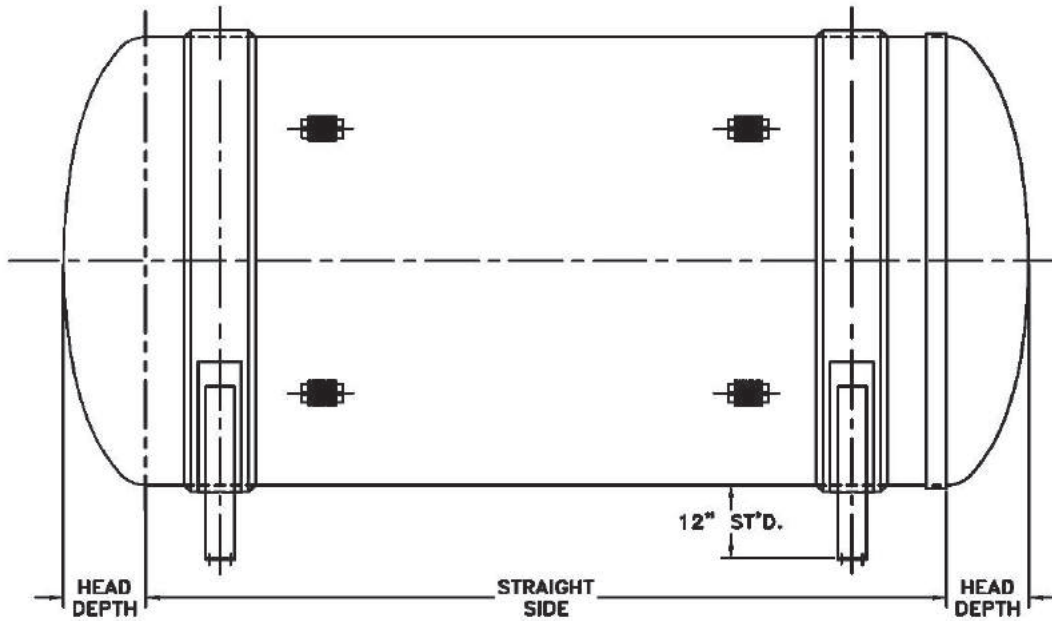
OPTIONAL FEATURES

- FRP Skirt Support
- Integral FLAT Top Head
- Flat Cover for Open Top (1 pc. / 2 pc. / 3 pc.)
- Cone Angles other than 90°

CAPACITIES (U.S. Gallons)

Tank Nominal DIAMETER (Inches)	STRAIGHT SIDE LENGTH (Inches)														
	ONE Section												TWO Section		
	132	144	156	168	180	192	204	216	228	240	252	264	276	288	312
24	263														
30	426	464	503	542	581										
36	560	612	664	717											
42	832	906	981	1055	1130										
48	1033	1126	1219	1312											
54	1397	1516	1635	1754	1873	1992	2111	2230	2349	2468	2587	2706	2825	2944	3182
60	1687	1836	1986	2136	2287	2439	2591	2743							
66	2117	2295	2473	2651	2828	3006	3184	3362	3539	3717	3895	4072	4250	4428	4783
72	2436	2651	2866	3083	3301	3520	3740	3962	4185	4409	4504	4717	4931	5146	5577
84	3437	3666	3955	4245	4536	4828	5120	5414	5709	6005	6302	6599			
90	4048	4378	4709	5039	5370	5700	6031	6361	6692	7022	7353	7683	8014	8344	9005
96	4532	4918	5305	5694	6086	6479	6874	7113	7494	7876	8259	8643	9028	9414	10189
108	5628	6098	6569	7042	7517	7994	8472	8804	9270	9736	10203	10671	11140	11610	12552
120	7304	7904	8507	9112	9720	10331	10944	11358	11953	12549	13146	13745	14345	14946	16151
132	9122	9833	10544	11255	11966	12677	13388	14099	14810	15520	16231	16942	17653	18364	19786
138	9754	10540	11327	12117	12909	13704	14333	15112	15892	16673	17455	18238	19023	19809	21384
144	10941	11817	12697	13580	14466	15356	16249	17146	17743	18614	19486	20360	21235	22112	23872
156	13072	14065	15058	16051	17044	18037	19030	20023	21016	22009	23002	23994	24987	25980	27966
168	14743	15876	17011	17997	19116	20236	21358	22482	23607	24733	25862	26991	28123	29256	31526

MODEL CCH



C-CCH

CAPACITIES (U.S. Gallons)

	ONE Section				STRAIGHT SIDE LENGTH (Inches)								TWO Section			
	24	30	36	42	48	54	60	66	72	78	84	90	96	108	120	
24	55	66	78	90	101	113	125	136	148	159	171	182	194	217	241	
30	91	110	129	147	166	185	204	223	242	262	281	301	315	353	391	
36	123	147	172	197	222	247	273	299	325	351	377	404	418	468	519	
42	191	227	263	299	336	372	409	445	482	520	557	594	622	695	768	
48	245	290	335	380	426	472	517	564	610	657	703	751	783	875	966	
54	347	407	466	526	585	645	704	764	823	883	942	1002	1061	1180	1299	
60	429	502	574	648	721	795	869	943	1017	1092	1167	1243	1319	1471	1624	
66	556	645	734	823	911	1000	1089	1178	1267	1356	1445	1533	1622	1800	1978	
72	644	746	848	950	1053	1156	1259	1362	1466	1570	1675	1779	1884	2095	2307	
84	946	1086	1227	1369	1511	1653	1796	1940	2084	2228	2373	2519	2665	2958	3253	
90	1171	1337	1502	1667	1832	1998	2163	2328	2493	2659	2824	2989	3154	3485	3815	
96	1315	1498	1682	1867	2052	2238	2424	2611	2798	2985	3173	3362	3551	3930	4312	
108	1708	1934	2161	2388	2616	2844	3072	3301	3531	3761	3991	4222	4453	4917	5383	
120	2306	2594	2884	3174	3464	3756	4047	4340	4633	4927	5221	5516	5811	6404	7000	
132	3033	3389	3744	4100	4455	4811	5166	5521	5877	6232	6588	6943	7299	8010	8720	
138	3283	3665	4048	4431	4814	5198	5583	5969	6354	6741	7128	7516	7904	8682	9463	
144	3732	4155	4578	5003	5428	5854	6281	6709	7137	7567	7997	8428	8860	9726	10596	
156	4647	5144	5640	6137	6633	7130	7626	8122	8619	9115	9612	10108	10605	11598	12591	
168	5270	5821	6374	6927	7481	8036	8591	9148	9705	10262	10821	11381	11941	13064	14189	

Tank Nominal DIAMETER (Inches)

DIA. Inches	Gallons Per Inch	Head Depth	Head Capacity
24	1.93	4	4
30	3.14	5	9
36	4.19	6	13
42	6.06	7	25
48	7.58	8	34
54	9.90	9	55
60	11.80	10	71
66	14.80	11	100
72	17.46	12	120
84	24.02	14	194
90	27.53	15	255
96	31.66	16	292
108	38.72	18	404
120	49.49	20	578
132	59.22	22	806
138	64.82	23	881
144	72.39	24	1025
156	82.68	26	1331
168	93.08	28	1535

General Notes:

1. Diameters smaller than 72" are Contact Molded per ASTM D-4097.
2. Diameters 72" and larger are Filament Wound per ASTM D-3299.
3. Heavy powder coated carbon steel lifting lugs, as required for handling.

MODEL CCH

CAPACITIES (U.S. Gallons)

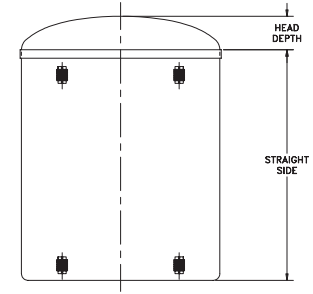
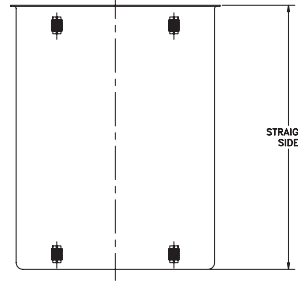
Tank Nominal DIAMETER (Inches)	ONE Section											TWO Section			
	STRAIGHT SIDE LENGTH (Inches)														
	132	144	156	168	180	192	204	216	240	264	288	312	336	360	384
24	264														
30	431	469	508	547	586										
36	572	624	676	729											
42	843	917	992	1066	1141										
48	1058	1151	1244	1337											
54	1418	1537	1656	1775	1894	2013	2132	2251	2489	2727	2965	3203	3441	3679	3917
60	1734	1883	2033	2183	2334	2486	2638	2790							
66	2154	2332	2510	2688	2865	3043	3221	3399	3754	4109	4465	4820	5176	5531	5887
72	2520	2735	2950	3167	3385	3604	3824	4046	4493	4801	5230	5661	6095	6530	6969
84	3550	3850	4068	4358	4649	4941	5233	5527	6118	6712					
90	4146	4476	4807	5137	5468	5798	6129	6459	7120	7781	8442	9103	9764	10425	11086
96	4695	5081	5468	5857	6249	6642	7037	7276	8039	8806	9577	10352	11130	11913	12699
108	5850	6320	6791	7264	7739	8216	8694	9175	9958	10893	11832	12774	13720	14670	15624
120	7598	8198	8801	9406	10014	10625	11238	11853	12843	14039	15240	16445	17656	18872	20093
132	9431	10142	10853	11564	12275	12986	13697	14408	15829	17251	18673	20095	21517	22938	24360
138	10245	11031	11818	12608	13400	14195	14992	15603	17164	18729	20300	21875	23454	25039	26628
144	11469	12345	13225	14108	14994	15884	16777	17674	19142	20888	22640	24400	26166	27938	29718
156	13583	14576	15569	16562	17555	18548	19541	20534	22520	24505	26491	28477	30463	32449	34435
168	15318	16451	17586	18724	19691	20811	21933	23057	25308	27566	29831	32101			

FIELD ASSEMBLED

DIA. Inches	Gallons Per Inch	Head Depth
192	125.33	32
240	195.83	40
300	305.99	50
360	440.63	60

General Notes:

1. Tank shells are Filament Wound per ASTM D-3299.
2. FRP Skirt supports will be used with all dished bottom tanks.
3. Heavy powder coated carbon steel lifting lugs, as required for handling.



C-OFV CAPACITIES (U.S. Gallons)

C-CFV

	ONE Section				STRAIGHT SIDE LENGTH (Inches)								ONE Section			
	24	30	36	42	48	54	60	66	72	78	84	90	96	108	120	
192	2898	3741	4493	5245	5997	6749	7501	8253	9005	9757	10509	11261	12013	13517	15021	
240	4676	5851	7026	8201	9376	10551	11726	12901	14076	15251	16426	17601	18776	21126	23476	
300	7313	9149	10985	12821	14657	16493	18329	20165	22001	23837	25673	27509	29345	33017	36689	
360	10538	13182	15826	18470	21114	23758	26401	29045	31689	34333	36977	39621	42264	47552	52840	

	TWO Section				STRAIGHT SIDE LENGTH (Inches)								TWO Section			
	126	132	138	144	150	156	162	168	174	180	186	192	204	216	240	
192	15773	16525	17277	18029	18781	19533	20285	21037	21789	22541	23293	24045	25549	27054	30062	
240	24651	25826	27001	28177	29352	30527	31702	32877	34052	35227	36402	37577	39927	42277	46977	
300	38525	40361	42197	44033	45869	47705	49541	51377	53213	55049	56885	58721	62393	66065	73409	
360	55484	58127	60771	63415	66059	68703	71347	73991	76634	79278	81922	84566	89854	95141	105717	

	THREE Section				STRAIGHT SIDE LENGTH (Inches)								THREE Section			
	246	252	258	264	270	276	282	288	294	300	306	312	324	336	360	
192	30814	31566	32318	33070	33822	34574	35326	36078	36830	37582	38334	39086	40590	42094	45102	
240	48152	49327	50502	51677	52852	54027	55202	56377	57553	58728	59903	61078	63428	65778	70478	
300	75245	77081	78917	80753	82589	84425	86261	88097	89933	91769	93605	95441	99113	102785	110129	
360	108360	111004	113648	116292	118936	121580	124223	126867	129511	132155	134799	137443	142730	148018	158593	

	FOUR Section				STRAIGHT SIDE LENGTH (Inches)								FOUR Section			
	366	372	378	384	390	396	402	408	414	420	426	432	444	456	480	
192	45854	46606	47358	48110	48862	49614	50366	51118	51870	52622	53374	54126	55630	57135	60143	
240	71653	72828	74003	75178	76353	77528	78703	79878	81053	82228	83403	84578	86929	89279	93979	
300	111965	113801	115637	117473	119309	121145	122981	124817	126653	128489	130325	132161	135833	139505	146849	
360	161237	163881	166525	169169	171813	174456	177100	179744	182388	185032	187676	190319	195607	200895	211470	

Tank Nominal DIAMETER (Inches)

Field Assembled Tanks Meet Space/Capacity Requirements.

Each tank is fabricated in sections at our plant. The sidewall sections are filament wound and have circumferential joints for field assembly. For shipping purposes, the sidewall sections are compressed to an oversize load width. The bottom and top heads are also made in sections suitable for shipping. The tanks are then assembled on-site by a Belding Tank® specialized crew or by qualified FRP assemblers under the supervision of Belding Tank®. This same concept can be applied to other FRP tanks where access to the tank area is limited.



75,000 gallon field erected E-Coat resin storage tanks have been a success for the automotive industry located in Windsor, Ontario and Toledo, Ohio. The customer needed 150,000 gallons of storage capacity at each plant; inside a temperature controlled building with a 30' x 60' secondary containment area, and Belding Tank® had the answer.



FRP Wastewater treatment tanks in excess of 140,000 gallons used to chemically treat industrial waste, thus allowing for suitable discharge to Publicly Owned Treatment Works (POTW).

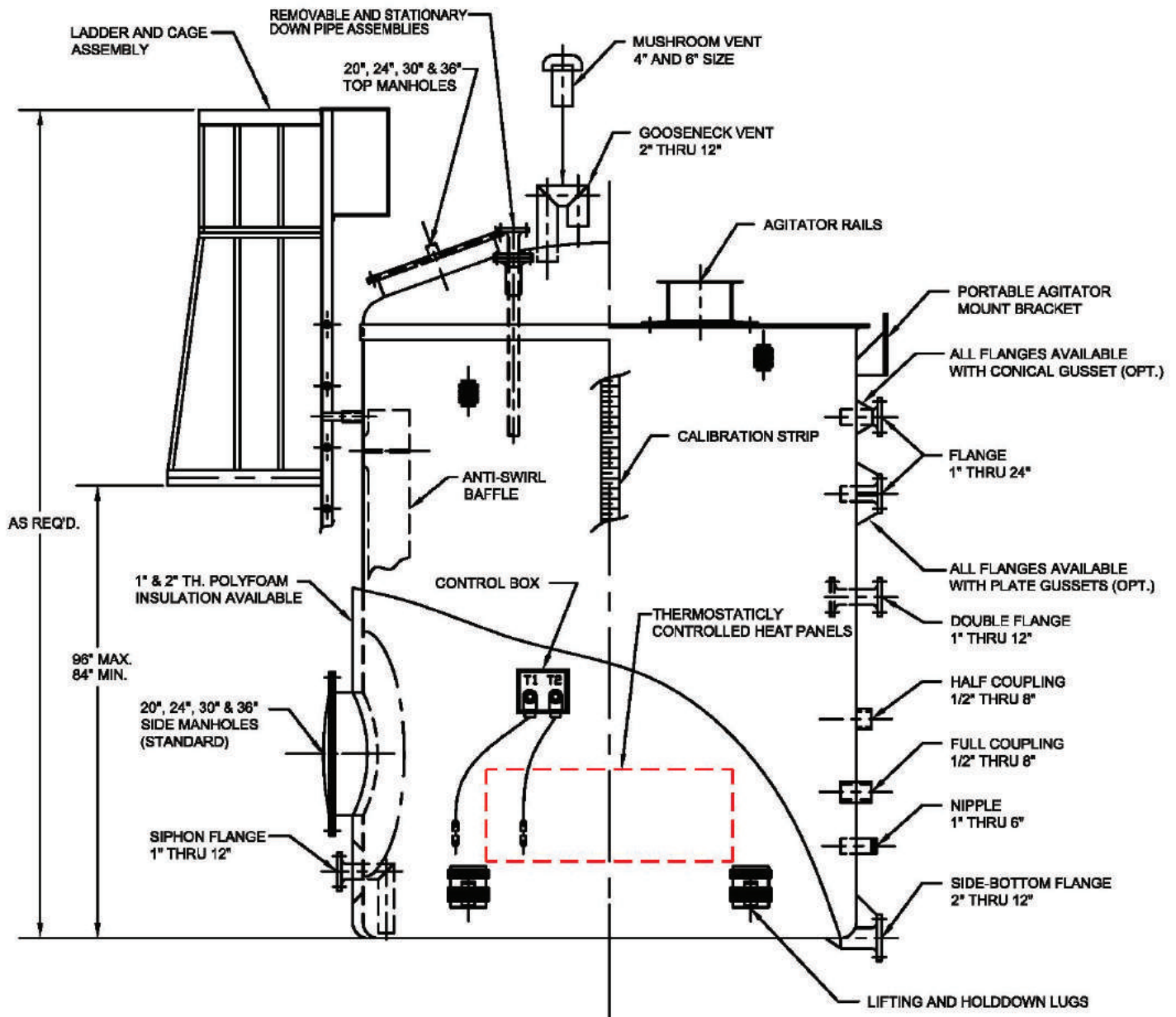


Belding Tank® fabricates using resins that comply with FDA regulation 21 CFR 177.2420, covering materials contacting food and drug products. This particular tank was designed for the storage of soy sauce, at an operating temperature of 160° F. The unique aspect of this tank is the elevated dished bottom and domed top.

Accessories

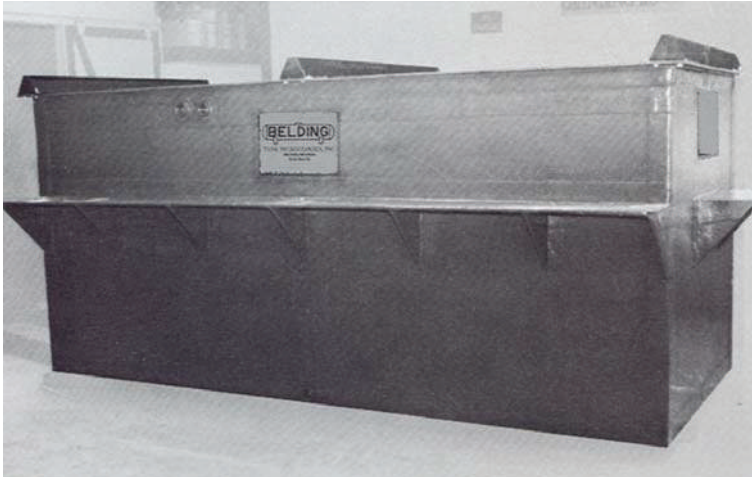
OPTIONAL FEATURES NOT SHOWN:

- Bolts & Gasket for top manholes
- Hinged Covers for top & side manholes
- Flat Covers for Open Top tanks
 - One piece
 - Two piece hinged
 - Three piece hinged
- 1" Clear PVC Sight Tube Assembly
- Tank Top Handrail for Closed Top tanks
 - Carbon steel primed
 - Carbon steel painted
 - FRP "Post Style"
 - FRP "Skirt Style"
- Platforms
 - Intermediate for ladders longer than 30'
 - Tank to Tank
 - Tank top work

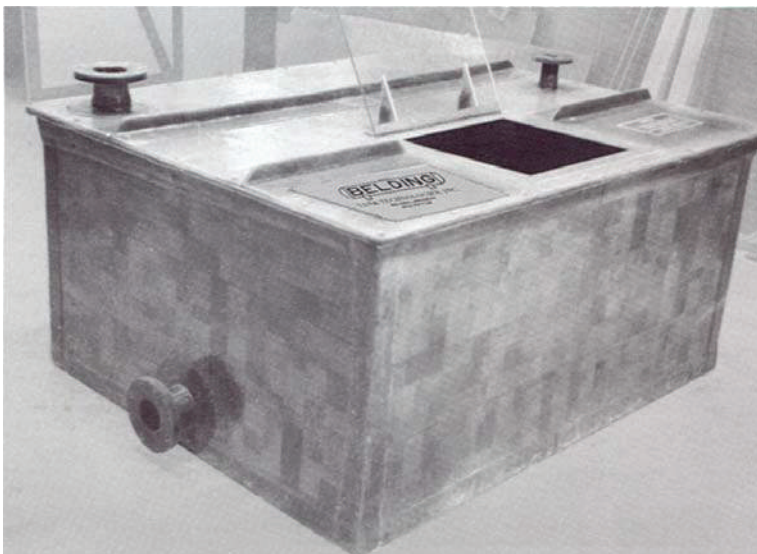


Rectangular & Bins

CUSTOM RECTANGULAR



- Custom fabrication from your design or we will design to meet your requirements.
- Limitless variations in design.
- Wide variety of resin systems available.
- FRP construction simplifies installation and cleaning procedures, eliminating many maintenance expenses.



T190 BIN SPECIFICATIONS

- Outside Dimensions 39" x 44" x 38"
- Inside Dimensions 37" x 42" x 33"
- Pallet Skid Height 5"
- Inside Skid Width 31"
- Tare Weight 100 lbs.
- Capacity 25.4 Cu. Ft. 23.7 Bu. 190 Gal.
- Rotating Load (liquid) 1,500 lbs.
- Temperature Range
 - Std. Green Series: -40° F. to +165° F.
 - Premium Gold Series: -40° F. to 220° F.
- Opt. Lightweight Sanitary Covers and Stacking Covers available.
- Designed to Rotate 360°

T240 BIN SPECIFICATIONS

- Outside Dimensions 44" x 47" x 38"
- Inside Dimensions 42" x 45" x 33"
- Pallet Skid Height 5"
- Inside Skid Width 36"
- Inside Skid Length 27"
- Tare Weight 115 lbs.
- Capacity 32 Cu. Ft. 30 Bu. 240 Gal.
- Rotating Load (liquid) 2,000 lbs.
- Temperature Range
 - Std. Green Series: -40° F. to +165° F.
 - Premium Gold Series: -40° F. to 220° F.
- Opt. Lightweight Sanitary Covers and Stacking Covers available.
- Designed to Rotate 360°

T290 BIN SPECIFICATIONS

- Outside Dimensions 44" x 47" x 46"
- Inside Dimensions 42" x 45" x 41"
- Pallet Skid Height 5"
- Inside Skid Width 36"
- Inside Skid Length 27"
- Tare Weight 130 lbs.
- Capacity 38.7 Cu. Ft. 36 Bu. 290 Gal.
- Rotating Load (liquid) 2,300 lbs.
- Temperature Range
 - Std. Green Series: -40° F. to +165° F.
 - Premium Gold Series: -40° F. to 220° F.
- Opt. Lightweight Sanitary Covers and Stacking Covers available.
- Designed to Rotate 360°



**BINS CAN BE
ROTATED 360°**

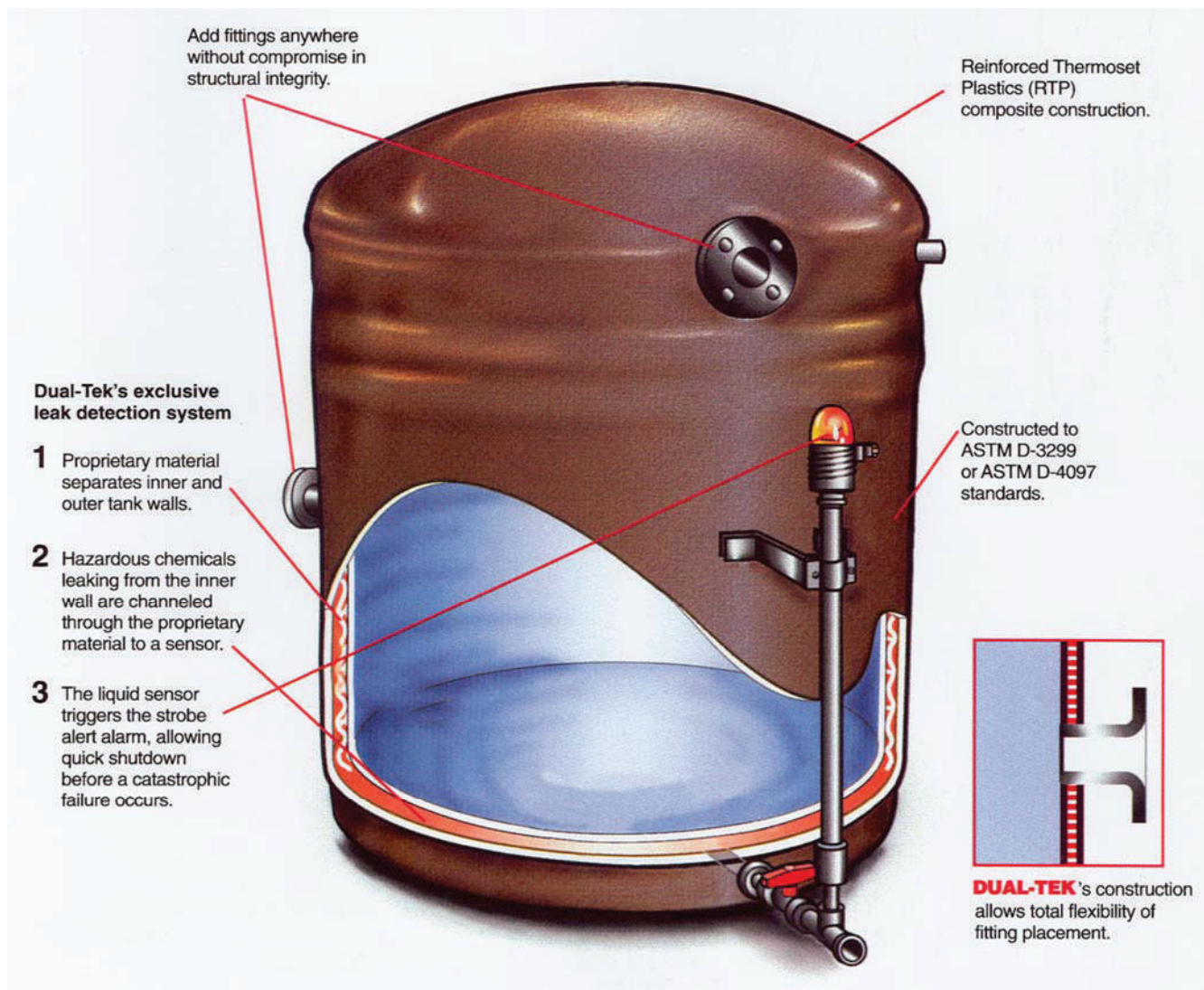
by a forklift with a rotator. No other special attachments needed to empty.

Double Wall Tanks

Belding Tank® responds to the growing demand to ensure safety in handling hazardous chemicals with **DUAL-TEK™** - The only design in process storage that offers the advantages of Double Wall Containment and leak detection with **no compromise in flow-thru design**.

This means you can specify the location of every fitting instead of top-only installation.

With over 600 **standard** sizes, you'll be sure to get the fastest delivery possible.



Standard Features:

- Early detection in the event of a leak.
- Wide range of chemical resistance.
- Versatile operation.
- High reliability.
- 100% Composite Construction.
- Space-saving design.
- Proven system.
- Capacities to 30,000 gallons.

Accessories:

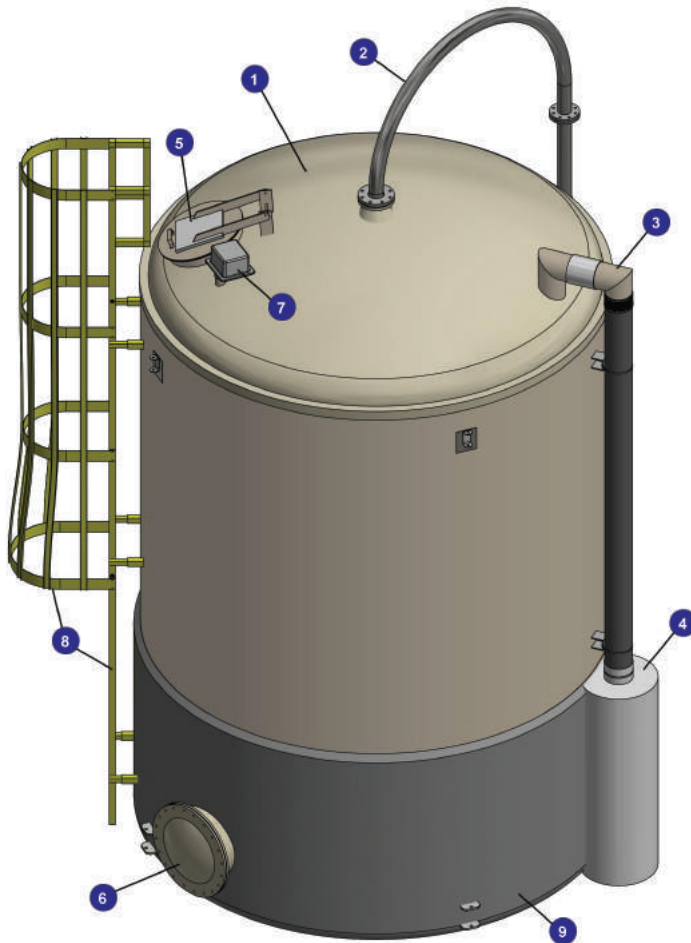
- Top or Side Manways
- Heating Coils.
- Mixers.
- Baffles.
- Ladder & safety cage.
- Spray Balls.
- Siphon Drains.
- Liquid Level Gauges.

Downflow Brinemakers

BRINE-TEK™ Downflow Brinemakers utilize the proven design, reliability and industry exclusive **FULL 2 YEAR FACTORY WARRANTY** of **Belding Tank**, combined with a packaged component system to provide the end user with a turn-key solution to their brine making and storage needs.

Downflow Brinemaking ensures consistent saturation of brine. As the influent water rises, the higher density brine sinks. With rock and solar salts, sludge accumulates at the bottom of the tank for easy removal. This also permits the desalinization of sludge by backwash leaching.

Standard Features and Accessories:



- 1 - Belding Tank BRINE-TEK™ FRP storage tank utilizing FDA approvable polyester resin construction to meet food grade sanitary applications.
- 2 - 4" I.D. 304 stainless steel salt fill pipe with camlock coupler and cap for pneumatic delivery truck hose connection.
- 3 - 8" I.D. FRP gooseneck vent with FRP/PVC vent duct assembly.
- 4 - Polyester dust collector bag mounted low for ease of servicing.
- 5 - 24" I.D. top access manway with hinged/weighted cover for emergency vent.
- 6 - 24" I.D. side access manway for cleaning and inspection.
- 7 - Optional automatic influent water level control based on brine demand.
- 8 - Optional Ladder/safety cage assembly for access to top manway.
- 9 - Optional Cool Weather Protection package including polyfoam insulation and 500 watt, 120 volt Heat Panels.

MODEL	BT-8-23	BT-9-33	BT-10-40	BT-11.5-53	BT-12-63	BT-12-75	BT-14-100
Diameter	96"	108"	120"	138"	144"	144"	168"
Straight Side	180"	180"	192"	192"	204"	240"	240"
Overall Height	196"	198"	212"	215"	228"	264"	268"
Max. Gross Wt., Lbs.	74,000	99,000	121,000	159,000	184,000	210,000	277,000
Useable Storage, Tons	23	33	40	53	63	75	100
Max. Delivery, Tons	15	19	25	35	40	55	74
Max. Brine Draw, GPM	20 / 12	25 / 15	33 / 20	45 / 27	50 / 30	50 / 30	66 / 40

Brine Draw is shown with Granulated Salt First followed by Rock or Solar Salt.

Pickle Tanks

“for those who think brining”

Think about this, since 1975 Belding tank has designed and manufactured a proven quality product to the brine industry.



BELDING BRINE TANK

Advantages & Features

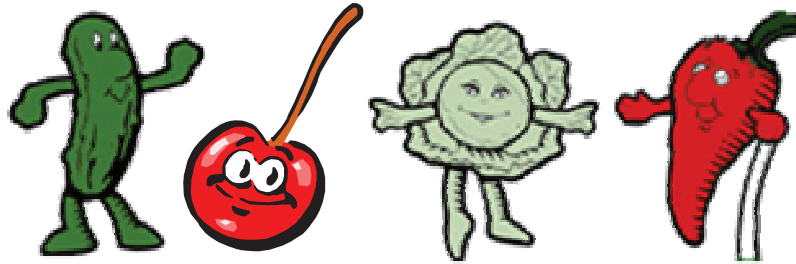
1. Unitized one piece bottom to sidewall tank construction without a seam for greater structural strength of the tank.
2. Tank bottom corners have a knuckle radius for maximum resistance against hydrostatic pressures.
3. Heavily reinforced with multi layers of fiberglass overlay around the knuckle radius, and tank sidewall stiffener band for maximum protection against breakage.
4. The tanks' smooth interior surface along with the corner radius helps prevent against product build up and allows for easy cleaning.
5. In-ground / Above ground installations, with a proven successful track record.

To date, Belding Tank has manufactured thousands of FDA approved fiberglass reinforced plastic tanks for the brine industry in the United States, Canada & Mexico This continued effort of service and top quality product is what makes Belding Tank your #1 choice for tanks in the brining industry.



Pickle Tanks

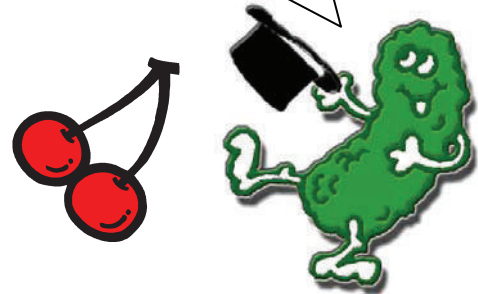
Pickles, Cherries, Sauerkraut and Peppers
We have a tank that's right for whatever you're brining.



As a member of Pickle Packers International and Michigan Food Processors Association, Belding Tank continues its efforts to be the sole tank manufacturer meeting your brine tank needs, offering several different size tanks and accessories. If you have a need today, don't hesitate to call us!



IF I HAD MY
WAY, I'D
CHOOSE
BELDING TANK!



“Service does not come from a manual...it comes from Belding Tank!”

Design Features

STANDARDS

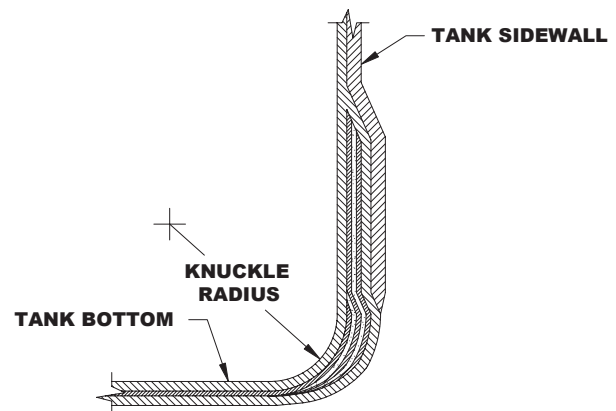
We build all of our tank walls in accordance with the time-tested standards of ASTM D-3299 and ASTM D-4097 specifications for filament winding and contact molding respectively, with ASME RTP-1 (design by rules) fabrication capabilities.

All Belding Tank Technologies, Inc. corrosion barriers are built to a minimum thickness of **110 mil vs. 96 mil** as specified by ASTM & ASME.

TANK BOTTOMS

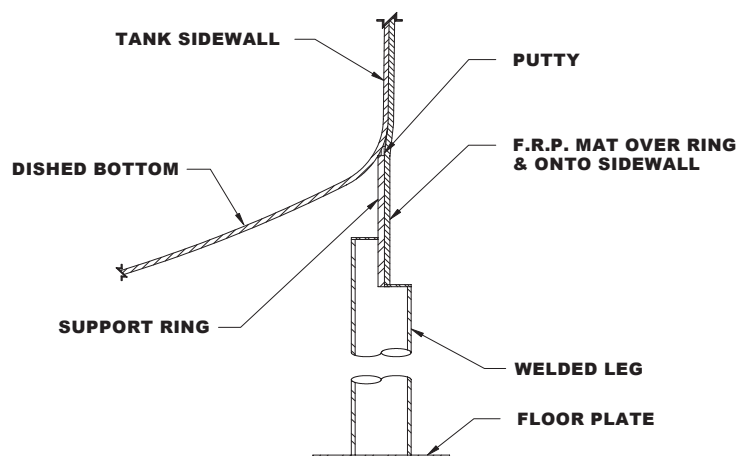
FLAT & SLOPED - The majority of our Flat and Sloped Bottom tanks use a **UNITIZED ONE-PIECE BOTTOM TO SIDEWALL CONSTRUCTION**

without a seam for greater structural strength. However, we don't stop there. The tank bottom corners include a knuckle radius for maximum resistance against hydrostatic pressures, and corners are easier to clean to help eliminate product contamination.



CONE & DISHED - The majority of our Dished Bottom tanks also use a **UNITIZED ONE-PIECE BOTTOM TO SIDEWALL CONSTRUCTION** without a seam for greater structural strength and ease of cleaning. We utilize both FRP and Steel support structures,

overlaying the steel support ring exterior with fiberglass for added resistance against chemical attack. The full circumference support helps eliminate uneven stresses on the tank sidewall.

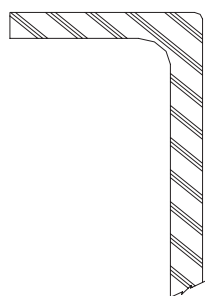


Design Features

TANK TOPS

CLOSED - **Belding Tank**[®] Dome and Flat Top Heads come standard with our 20" or 24" loose cover top manhole with grab handle for convenient opening.

OPEN - Our Open Top tanks come standard with a 90° rim flange, with the option of a one, two or three piece cover. The 90° rim also allows for easy mounting of mixer rails, when required. As a cost saving alternative, a Type II rim is offered when a cover or rails are not required.



90° TOP
RIM FLANGE
ST'D.



TYPE II
RIM
OPT.

***Note:** All **Belding Tank**[®] 90° rims are formed by means of hand lay-up to the tank sidewall on a platen table to ensure uniformity.*

FITTINGS

Belding Tank[®] flanged nozzles are made via the hand lay-up process as a standard which offers superior strength and corrosion resistance. Conical and plate gusseting is also offered, where added strength is required.

ACCESSORIES

Our standard insulated tanks come equipped with a reinforced fiberglass outer protective shell for protection of insulation against damage from mechanical impact and environmental degradation. We also offer a replaceable type heat panel for tanks that need to maintain a given product temperature. Heat panels help eliminate the high cost associated with repair or replacement of wire heating systems which require complete removal of the tank insulation, and later re-insulation of tank after repair or replacement.

Construction

The laminate Corrosion Barrier is the Inner Surface and Interior Layer combined. The glass content of the Corrosion barrier shall be 27% ± 5% by weight. The most important feature to any fiberglass tank in the corrosion industry is the corrosion barrier of the tank. Each tank Belding Tank Technologies, Inc. manufactures is built using a male mold to help ensure a smooth, resin rich internal finish to aid in corrosion resistance.

RESIN SYSTEMS

ECONOMY RESIN SYSTEM:

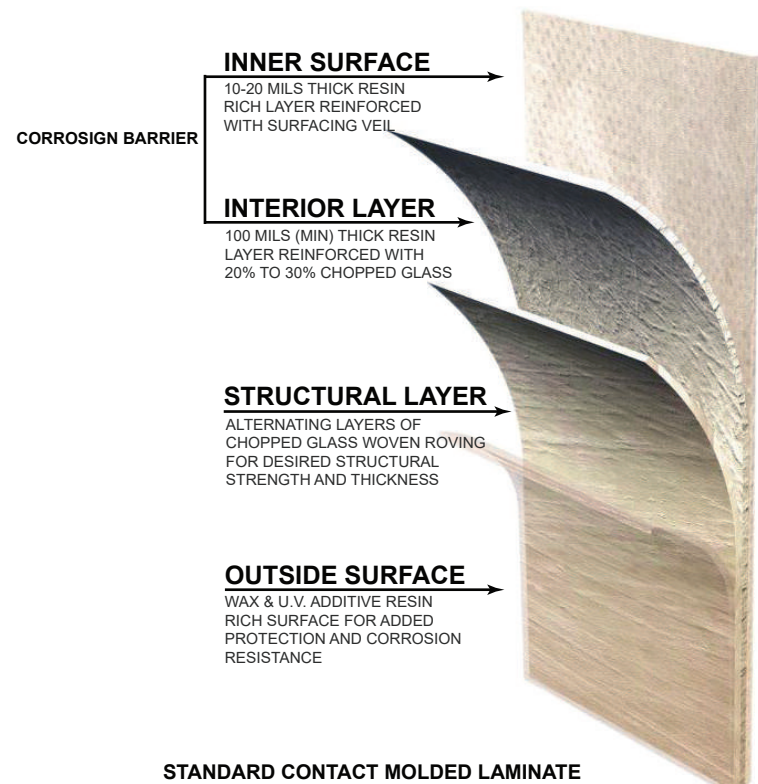
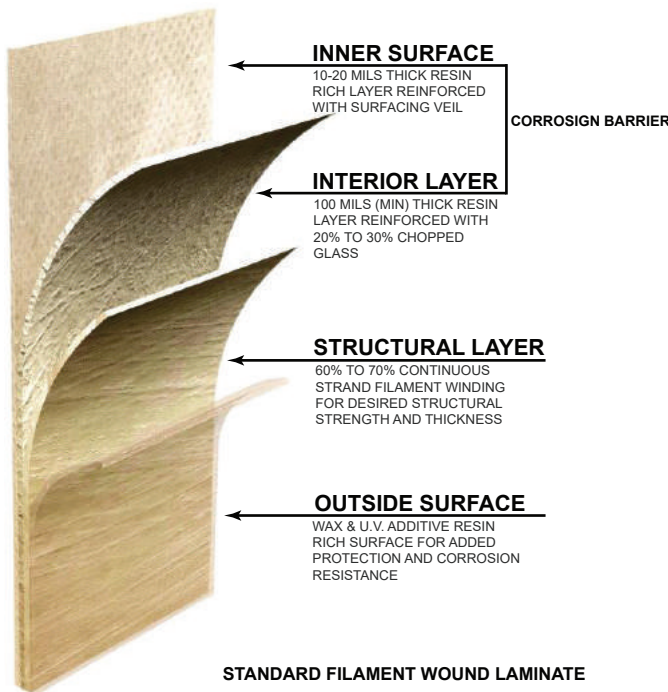
Isophthalic polyester resin throughout the laminate.

STANDARD RESIN SYSTEM:

Our "STANDARD" resin system consists of Premium grade Vinyl ester resin in both the *Inner Surface* and *Interior Layer*. Isophthalic polyester resin is used in the Structural Layer and Outside Surface.

PREMIUM RESIN SYSTEM:

Premium grade Vinyl ester resin throughout the laminate.



**“Quality
is our Standard,
Customer Service
is our Specialty.”**



Handling & Installation

SAFETY FIRST

BELDING TANK[®] *HANDLING AND INSTALLATION and OPERATION AND MAINTENANCE* manual must be read carefully before attempting to handle, install or use the tank.

Safe and proper tank handling and installation is a must for maximum term and trouble free service. DO NOT deviate from instructions without approval from **BELDING TANK**[®]

LIFTING AND POSITIONING

BELDING TANK[®] tanks are designed to withstand normal handling. Note the following handling precautions.

1. NEVER roll or slide a tank. Lift the tank using a crane or other approved method.
2. Operators of hoist equipment should follow proper rigging procedures at all times. NEVER allow the tank to swing out of control.
3. DO NOT drop or allow hard impact from tools, spreader bars, etc.
4. Avoid the use of equipment inside the tank that could scratch or damage the tank corrosion barrier.
5. NEVER use cables or chains around tank.
6. NEVER lift the tank by using fittings. Use designated lifting lugs, which come standard on all B.T.T. tanks.
7. If tanks are being stored prior to installation, be sure to lay on padded surface and tie down securely.



TANK BOTTOM SUPPORT

BELDING TANK[®] FRP Flat and Sloped Bottom tanks require continuous rigid support. This support must be smooth, flat and free of foreign objects prior to setting any tank. Belding Tank recommends, as a minimum, two layers of thirty pound roofing felt, to take up possible deviations in the support. The support must be designed of proper strength to withstand the combined weight of the tank and contents. Design of the support structure is the responsibility of the purchaser.

PIPE CONNECTIONS

Flexible pipe connections should be used whenever possible. If rigid piping must be used, be certain it is self-supporting and non-vibrating.

Warranty

Belding Tank Technologies, Inc. (B.T.T.) warrants goods of its own manufacture against defects in material and workmanship only, for a period of (12) months from date of shipment, when such goods are used in normal use and service.

Any component parts that are on products manufactured and designed by B.T.T., are warranted only to the extent of the manufacturer of each component part, and to the extent as is enforceable by B.T.T.

No warranty either expressed or implied is made by B.T.T. as to the fitness, merchantability, condition, capacity or efficiency of any products or goods sold. B.T.T. shall not be responsible for any loss or damage resulting from the installation, operation or use of goods sold. Including, without limitation, labor cost, direct, indirect, incidental, punitive or consequential damages, and no claims for labor or for consequential damages will be allowed.

In the event that the purchaser asserts and B.T.T. agrees that the product is defective per this warranty, Belding Tank Technologies, Inc. may, at its election replace, repair or credit the customer, on the condition that the product is in possession of the original purchaser and the product has been used for its originally intended purpose and design.

Any alterations, modifications, or changes to any products manufactured or supplied by Belding Tank Technologies, Inc., automatically voids this warranty.

If purchaser attempts to repair product or take any other action, prior to giving prompt notice and providing a reasonable opportunity for Belding Tank Technologies, Inc. to inspect and correct said product, as deemed necessary by the manufacturer, Belding Tank Technologies, Inc. shall not be held liable for any expenses incurred by the purchaser.

No product may be returned for credit or replacement unless first authorized by Belding Tank Technologies, Inc.

Belding Tank Technologies, Inc.'s liability and the purchaser's exclusive remedies are limited to those set forth in this warranty, to the exclusion of all others.



Handling & Installation

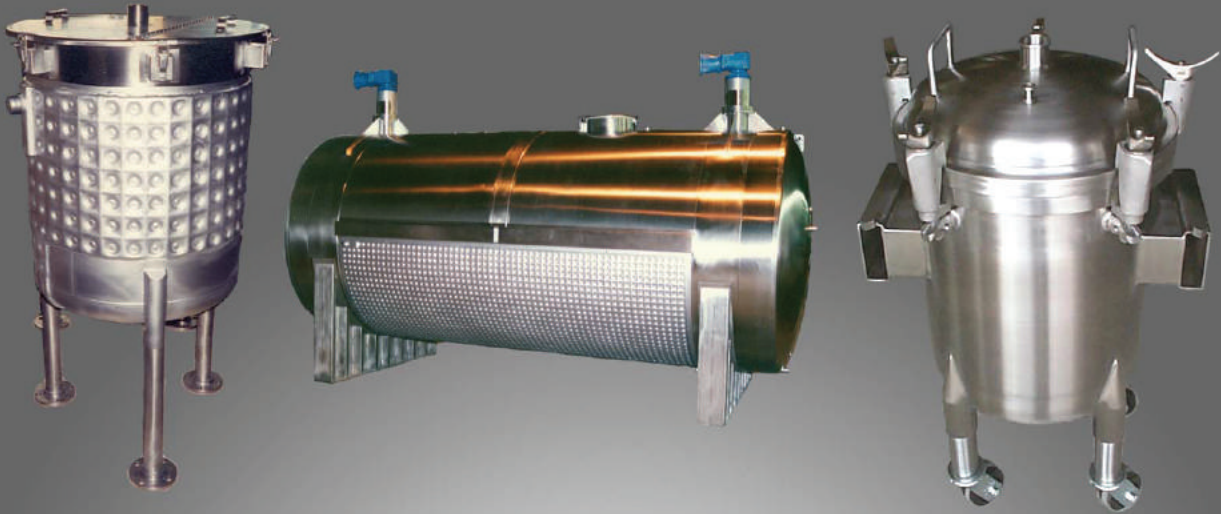
All invoices become net due and payable thirty days from date of invoice unless stated otherwise on order. Interest shall be charged at the rate of 2% per month (24% per year) on all past due amounts or at the highest rate allowed by law, whichever rate is lower. In the event that Belding Tank Technologies, Inc. files suit or otherwise incurs attorney fees in order to collect monies owed by the purchaser the purchaser agrees to pay the cost of collection, including, but not limited to, all attorney fees incurred in the collection of this account. Belding Tank Technologies, Inc. may establish a credit limit and future credit sales may be refused when the account is delinquent.

A personal guaranty may be required as a condition of the extension of credit. Any individual or guarantor who signs a Guaranty, consents that we may obtain a consumer credit report regarding that individual at any time. Certain projects may require that "Notice of Lien" or "Notice of Furnishing" be provided to owners and general contractors as circumstances dictate, by Belding Tank Technologies, Inc.

As consideration for the extension of credit the Purchaser agrees to venue in any court in the county of Ionia, State of Michigan in the event any dispute arises between the parties. All sales and any disputes shall be governed by Michigan Law.

CONDITIONS OF SALE AND TRADE CUSTOMS

1. Quotations and prices are subject to change without notice. All shipments will be billed at the Seller's prices in effect at the time of goods sold being manufactured and shall not exceed the maximum prices lawfully established under any applicable law or governmental regulation in effect at time of shipment. All transportation charges are for the account of the Buyer. If published rail or rail and water freight rates are increased or decreased prior to shipment, prices of unshipped materials or goods which may have been ordered on a "delivered price" basis shall be increased or decreased accordingly.
2. Quotations and sales are f.o.b. point of shipment unless otherwise expressly stated in a writing signed by both Seller and Buyer. Delivery of goods to Buyer shall be considered effective when the goods are placed with a common carrier for shipment to Buyer and title shall pass as of that date. Delivery is also subject to federal and state laws and regulations, fires, strikes, disputes with workmen, floods, accidents, embargoes, delays in transportation, shortage of cars, shortage of fuel or other material, shortage of labor, and to any other causes beyond reasonable control of the Seller. Seller does not guarantee to ship within the time promised, but uses its best efforts to do so and shall not be liable for any damage caused by delay in delivery. In the event of damage or loss in transit, consignee must give immediate written notice to the carrier's agent at destination and to Seller. Within 30 days after receipt of goods, Buyer must notify Seller in writing of any defects, claims for shortage, errors in shipment, or errors in charges. In the absence of such notice, Buyer will be deemed to have accepted all goods notwithstanding any defects, shortages, errors in shipment or charges, or other defects..
3. All orders, shipments and settlements are subject to approval by an Officer of the Seller. Should the Buyer fail to fulfill the terms of payment of any order between the Buyer and the Seller, the Seller may defer further shipments until such payments are made or may cancel any or all orders unshipped. The Seller reserves the right to require from the Buyer at any time satisfactory security for performance of the Buyer's obligations under any order placed with the Seller, and refusal or failure to furnish such security will entitle the Seller to suspend shipment until such security is furnished or to cancel the order, or orders, or the unshipped portion thereof. Orders for special goods may not be cancelled. Buyer shall become liable for and pay Seller's cancellation charges. A minimum base charge of 10% of the total sale price will apply to all cancellations. This may or may not include materials and labor applied to the job.
4. Seller warrants goods of its own manufacture against defects in material and workmanship only, for a period of one year from the date of shipment, to the extent that it will replace such goods f.o.b. point of manufacture, or allow credit therefor, at its election, when such goods are in the hands of the original purchaser and used in normal use and service. Other goods are warranted only to the extent of the express warranty of the manufacturer thereof and to the manufacturer thereof and to the extent such is enforceable by the Seller. NO WARRANTY EITHER EXPRESS OR IMPLIED IS MADE BY SELLER AS TO THE FITNESS, MERCHANTABILITY, CONDITION, CAPACITY OR EFFICIENCY OF ANY GOODS SOLD. SELLER SHALL NOT BE RESPONSIBLE FOR ANY LOSS OR DAMAGE RESULTING FROM THE INSTALLATION, OPERATION, OR USE OF GOODS SOLD, INCLUDING, WITHOUT LIMITATION, LABOR COSTS, DIRECT, INDIRECT, INCIDENTAL, PUNITIVE, OR CONSEQUENTIAL DAMAGES, EVEN IF SUCH DAMAGES WERE CONTEMPLATED AT OR PRIOR TO THE SALE OF SUCH GOODS, BUYER'S ONLY REMEDY, IF ANY, IS LIMITED TO THE REFUND OF THE PURCHASE PRICE (EXCLUSIVE OF TAXES, INTEREST CHARGES, SHIPMENT COSTS, AND OTHER EXPENSES OF SELLER RELATED TO THE SALE), OR THE REPAIR OR REPLACEMENT OF THE GOODS ACCORDING TO THE EXPRESS WARRANTY SET FORTH IN THIS SECTION ABOVE. SELLER'S LIABILITY IS EXPRESSLY LIMITED AS SET FORTH IN THIS SECTION ABOVE AND THE REMEDY PROVIDED FOR THE BUYER ABOVE IS EXCLUSIVE OF ALL OTHERS. In the event of a warranty claim, Buyer must notify Seller in writing of any defect in the goods subject to this sale within 30 days of any acceptance of such goods. In the absence of such notice, Buyer's obligations shall be deemed irrevocable, unconditional and absolute. Any claimed defect shall be subject to inspection by Seller for determination, in its discretion, as to whether the claimed defect is subject to the warranty provisions of this section
5. Materials shall be subject to Seller's standard manufacturing variations, classifications and extras. Seller reserves the right to change specifications at any time without incurring obligation for products previously or subsequently sold. All goods made to special specifications are deemed to be inspected and accepted before shipment is made. Packaging and loading will comply with current accepted standards.
6. Any taxes, excises, levies or charges which the Seller may be required to pay or collect under any existing or future law, upon or with respect to services and/or the sale, purchase, delivery, storage, processing, use, consumption or transportation of any of the materials covered hereby shall be for the account of the Buyer, and the quoted or otherwise applicable prices shall be increased thereby.
7. Failure of the Seller to enforce any of these conditions or to exercise any right accruing through the default of the Buyer shall not affect or impair the Seller's rights in case such default continues or in case of any subsequent default of the Buyer and such failure shall not constitute a waiver of other or future defaults of the Buyer.
8. No statement or recommendation made or assistance given by the Seller or its representatives to the Buyer or its representatives, in connection with the use of any products by the Buyer, shall constitute a waiver by the Seller of any of the provisions hereof or affect the Seller's liability, as herein defined.
9. Seller certifies that goods of its manufacture covered hereby were produced in compliance with all applicable requirements of Sections 6,7, and 12 of the Fair Labor Standards Act, as amended and of the regulations and orders of the U.S. Department of Labor issued under Section 14 thereof.
10. There are no understandings or agreements between the Buyer and the Seller relative hereto which are not fully expressed herein, and no change made herein shall be valid unless it is made in writing and signed by both parties.
11. Buyer shall defend, protect, indemnify, and hold Seller harmless, including its successors, representatives, agents and assigns from and against any and all claims, actions, suits, proceedings, costs, expenses, damages, and liabilities, including reasonable attorney's fees and costs, arising out of, connected with, or resulting from, the goods subject to this sale, including the installation, use or operation of the goods. This indemnification shall not extend to any claim arising out of the sole negligence of Seller.



...call Belding Tank for all of your Stainless Steel Tank needs.



FIBERGLASS REINFORCED PLASTIC TANKS

CAPACITIES FROM 100 TO 150,000 U.S. GALLONS
STANDARD CYLINDRICAL MOLDS FROM 24" TO 360" DIAMETER

FRP TANKS

- Cylindrical Filament Wound Tanks
- Cylindrical Contact Molded Tanks
- Vertical & Horizontal Configuration
- Flat, Dished, Cone & Sloped Bottoms
- Insulated, with or without Heat Maintenance
- Ladders, Cages, Catwalks, Platforms & Handrails
- Custom FRP Tanks (Factory Built or Field Erected)
- Hand Lay-up bins
- Rectangular Tanks
- Specialty Items
- Fume Scrubbers
- Stacks
- Special Linings / Field Applied FRP Linings



Contact Molded FRP Tanks



Insulated & Heated FRP Tanks



Field Erected FRP Tanks

Bulk Storage
Waste Water Treatment
Pulp & Paper
Food
Pharmaceutical
Chemical
Processing
Metal Finishing
Steel



Filament Wound FRP Tanks

B
E
L
D
I
N
G
T
A
N
K

200 N. GOODING STREET - P.O. BOX 160 - BELDING, MI. 48809-0160
TELEPHONE: (616) 794-1130 TOLL FREE: (800) 253-4252 FAX: (616) 794-3666
E-MAIL: sales@beldingtank.com WEBSITE: www.beldingtank.com