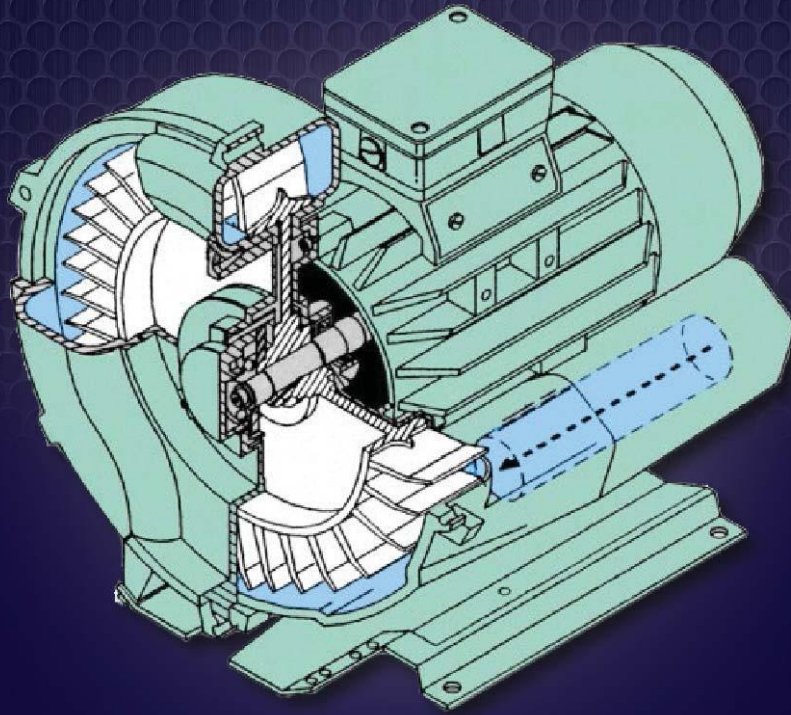


15th Year
Anniversary



Regenerative Blowers Vacuum Pumps



- 1/4 to 30 HP
- Air Flow to 950 SCFM
- Pressure to 11.5 psi
- Vacuum to 12" Hg



Registered and approved by these standards agency



ISO
9001

RoHS
Compliant



HIGH PERFORMANCE SUPERIOR QUALITY LOW COST



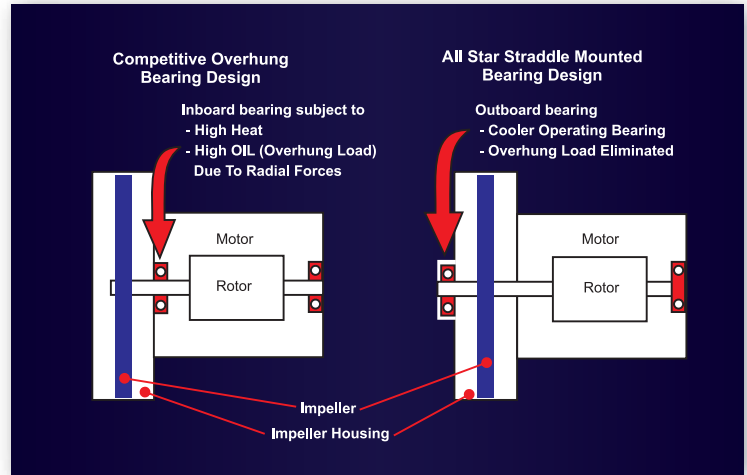
Performance Guarantee!

You can rely upon All-Star

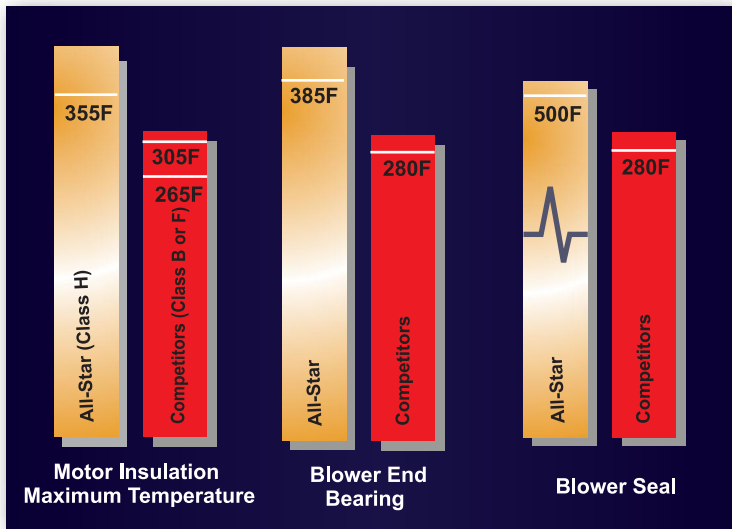
All-Star performance is verified by testing procedures according to ANSI/AMCA210-65 Laboratory method for fans.

- Quiet - 58 to 82 db(A)
- Clean Filtered Air Supply
- Pressure or Vacuum
- Single Phase & 3-Phase
- Oil Free – Odor Free
- Single & Two-Stage
- Non-pulsating

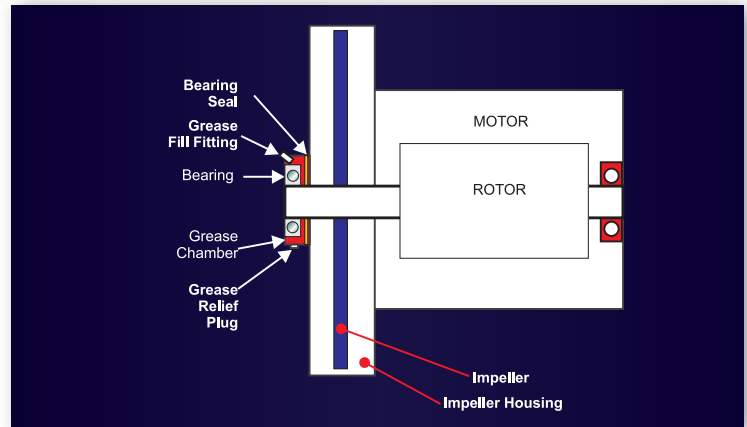
STRADDLE MOUNTED IMPELLER DESIGN



HIGH TEMPERATURE COMPONENTS



REGREASABLE BLOWER-END BEARING



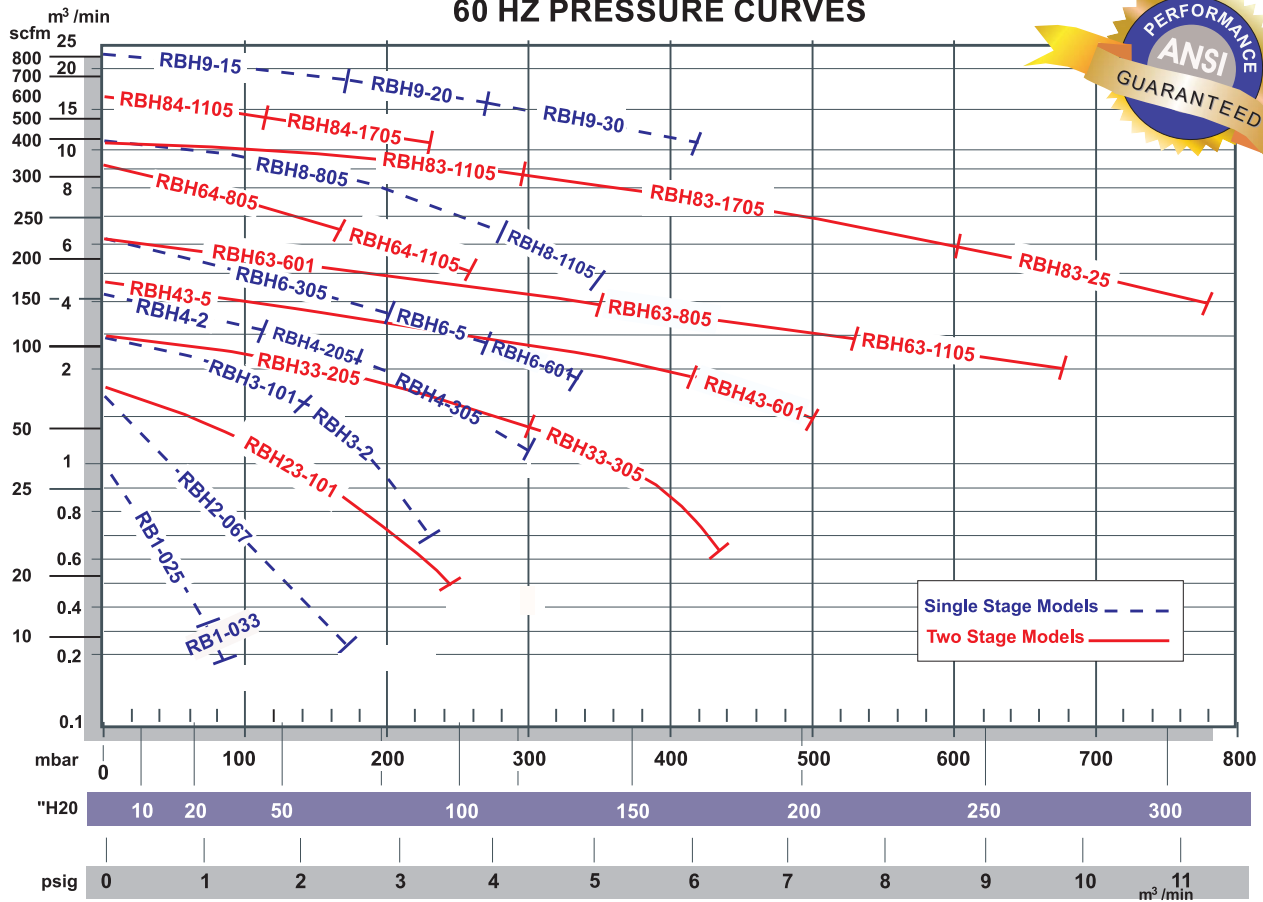
All-Star is the only company that offers regreasable bearings at the critical blower-end housing.

A grease fitting and relief plug assure this bearing can easily and quickly be relubricated without disassembly of the entire blower. Available on RBH8-805-3 and larger single stage blowers and on all two-stage models.

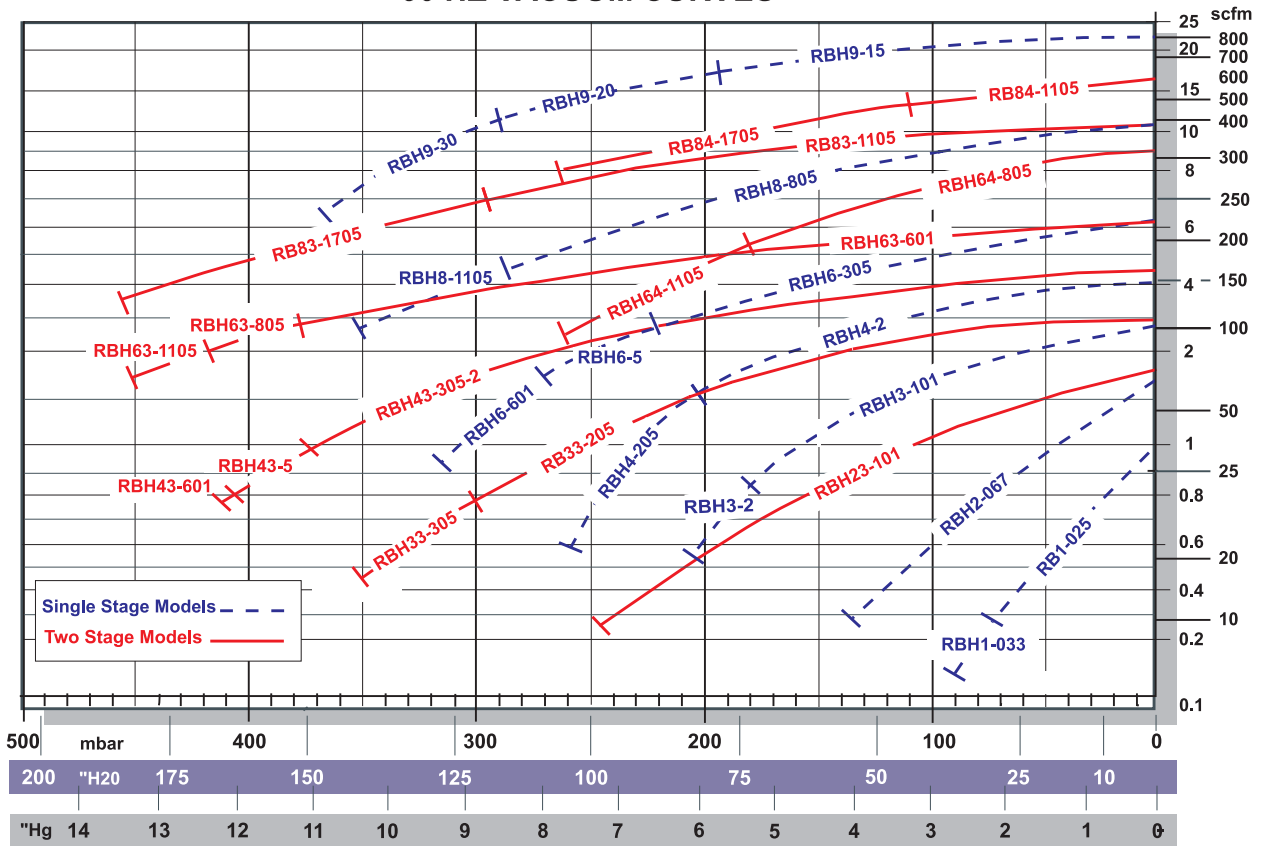
	All-Star	Competition
Motor Insulation	Class H Rated 355F	Class B or F Rated 265F or 315F
Blower Bearing	380F	280F
Blower Seal	500F	280F

All-Star provides plenty of extra thermal capacity for momentary current peaks or overloads.

60 HZ PRESSURE CURVES



60 HZ VACUUM CURVES





SINGLE STAGE

Model	Phase	Hz	HP	kW	MAXIMUM					Wt lbs	Relief Valve PRV - VRV	Filter Model		Connection		
					Flow SCFM	Pressure mbar	"H2O	Vacuum mbar	"H2O			db(A)	Pressure		Vacuum	
RB1-025-1	1	▶	60	.25	.2	38	70	28	70	55	55	15	RVA-01	F19P-125	CSL-843-125HC	1.25"
RB1-025-3	3	▶	50		.18	30	60	24	50	20	53	15				
RB1-033-1	1	▶	60	.33	.25	38	80	32	75	30	55	15				
RB1-033-3	3	▶	50		.20	30	70	28	70	28	53	15				
RBH2-067-1	1	▶	60	.67	.5	63	167	67	144	58	61	27				
RBH2-067-3	3	▶	50		.4	51	135	54	110	44	58	27				
RBH3-101-1	1	▶	60	1.1	.85	105	144	58	148	59	64	35		F19P-150	CSL-849-150HC	1.5"
RBH3-101-3	3	▶	50		.75	87	139	56	148	59	63	35				
RBH3-2-2	2	▶	60	2	1.5	105	224	90	205	82	64	43				
RBH3-2-3	3	▶	50		1.3	87	202	81	180	72	63	43				
RBH4-2-2	2	▶	60	2	1.5	155	179	72	194	78	73	48		F31P-200	CSL-851-200HC	2.0"
RBH4-2-3	3	▶	50		1.3	127	179	72	194	78	70	48				
RBH4-205-2	2	▶	60	2.5	1.9	155	222	89	212	85	73	51				
RBH4-205-3	3	▶	50		1.75	127	222	89	217	87	70	51				
RBH6-305-2	2	▶	60	3.5	2.6	228	222	89	219	88	77	73		F231P-200		
RBH6-305-3	3	▶	50		2.2	190	228	91	222	89	72	73				
RBH6-5-2	2	▶	60	5	3.7	228	296	119	279	112	77	79				
RBH6-5-3	3	▶	50		3.4	190	290	116	279	112	72	79				
RBH6-601-3	3	▶	60	6.1	4.6	228	321	129	312	125	77	84				
			50		4.0	190	326	131	270	108	72	84				
RBH8-805-3	3	▶	60	8.5	6.8	400	290	116	300	120	79	172	RVA-02	F235P-300	CSL-235-300C	2.5"
			50		5.5	340	296	119	270	108	74	172				
RBH8-1105-3	3	▶	60	11.5	8.6	400	400	160	345	139	79	182				
			50		7.5	340	400	160	300	120	74	182				
RBH9-15-3	3	▶	60	15	11	850	190	76	190	76	81	221	W/A	F245P-400	CSL-336-400	4.0
			50		10	700	202	81	209	80	76	221				
RBH9-20-3	3	▶	60	20	15	850	294	118	294	118	81	247				
			50		13	700	300	120	300	120	76	247				
RBH9-30-3	3	▶	60	30	22	850	430	173	375	151	81	351				
			50		20	700	445	179	350	141	76	351				

- NOTE**
- a) We recommend that you refer to the online performance curves to confirm detailed performance data. Performance data and product specifications are subject to change without prior notice. All-Star performance and data curves are based on a ±10% variance.
 - b) Pressure relief valve and filter **are required to obtain warranty coverage.**
 - c) Voltage key: -1=1/60/50/115/230 -2=1/60/50/230 -3=3/60/208-23/460 and 3/50/220/380

Selecting A Blower or Vacuum pump to meet your performance requirements can be a simple matter. We've listed two (2) steps to help you in your effort.

STEP ONE Standard Conditions of Selection

1. All-Star's standard performance data needs to be understood. All-Star performance tables and curves are based on:
 - a) **SCFM (Standard Cubic Feet per Minute)**
 You will need to convert your flow if it's not defined in SCFM. Some flows are already include in the standard performance curves and tables, but some are not. Other flow terms can be converted to SCFM by factoring them. All-Star uses a simple rule of thumb factor for factoring flow. We convert CFM, ACFM, ICFM into flow by multiplying these terms by .93 to obtain an equivalent SCFM flow rate. This method is not 100% correct but it is quick and easy method for converting flow terms.
 - b) **Pressure and Vacuum**
 All-Star performance curves are include terms of PSIG, "H2O, "Hg, kPa. Other terms will need converting by utilizing standard conversion tables.
 - c) In using SCFM as a standard flow rate on All-Star's performance curves, the performance curve is already factor for the following conditions:
 You will need to factor these SCFM values by increasing or decreasing the flow and pressure or vacuum ratings for the below conditions.
 1. Intake air (suction) temperature is rated as 67 Deg F.
 2. Altitude is rated as Sea Level
 3. Humidity is rated at 37%



TWO STAGE

Model	Phase	Hz	HP	kW	MAXIMUM					Wt lbs	Relief Valve PRV - VRV	Filter Model		Connection	
					Flow SCFM	Pressure mbar	"H2O	Vacuum mbar	"H2O			db(A)	Pressure		Vacuum
RBH23-101-1	1	60	1.1	.85	67	250	100	245	98	66	51	RVA-01	F19P-125	CSL-840-125HC	1.25"
RBH23-101-3	3	50	.75		55	240	96	205	82	60	51	↓	↓	↓	↓
RBH33-205-2	2	60	2.5	1.9	105	294	118	298	120	69	66	RVA-02	F19P-150	CSL849-150HC	1.5
RBH33-205-3	3	50	1.75		92	280	112	270	108	66	66	↓	↓	↓	↓
RBH33-305-3	3	60	3.5	2.7	105	350	141	350	141	69	73	↓	↓	↓	↓
		50	2.2		92	295	118	380	153	66	73	↓	↓	↓	↓
RBH43-305-2	2	60	3.5	2.6	165	386	155	386	155	77	81	↓	F19P-200	CSL-851-200HC	2.0
		50	2.2		135	360	148	348	140	74	81	↓	↓	↓	↓
RBH43-5-3	3	60	5	3.7	165	415	167	410	165	77	86	↓	↓	↓	↓
		50	3.4		135	415	167	360	145	74	86	↓	↓	↓	↓
RBH43-601-3	3	60	6.1	4.6	165	490	197	420	168	77	88	↓	↓	↓	↓
		50	4		135	485	195	335	135	74	88	↓	↓	↓	↓
RB63-601-3	3	60	6.1	4.6	230	380	153	380	153	79	152	↓	F231P-200	↓	↓
		50	4		190	380	153	360	145	75	152	↓	↓	↓	↓
RB63-805-3	3	60	8.5	6.3	230	540	217	425	171	79	159	↓	↓	↓	↓
		50	5.5		190	520	209	420	169	75	159	↓	↓	↓	↓
RB63-1105-3	3	60	11.5	8.5	230	675	271	450	180	79	165	↓	↓	↓	↓
		50	7.5		190	590	237	440	177	75	165	↓	↓	↓	↓
RBH64-805-3	3	60	8.5	6.3	340	220	88	200	80	79	159	↓	↓	↓	↓
		50	5.5		290	220	88	200	80	75	159	↓	↓	↓	↓
RBH64-1105-3	3	60	11.5	8.5	340	270	102	260	108	79	170	↓	↓	↓	↓
		50	7.5		290	270	108	245	98	75	170	↓	↓	↓	↓
RBH83-1105-3	3	60	11.5	8.5	410	320	128	340	137	81	247	W/A	F245P-300	CSL-335P-300	2.5"
		50	7.5		340	320	128	360	145	77	247	↓	↓	↓	↓
RBH83-1705-3	3	60	17.5	13	410	598	240	456	183	81	314	↓	↓	↓	↓
		50	11		340	598	240	423	170	77	314	↓	↓	↓	↓
RBH83-25-3	3	60	25	19	410	790	317	650	261	81	353	↓	↓	↓	↓
		50	16		340	700	281	450	181	77	353	↓	↓	↓	↓
RBH84-1105-3	3	60	11.5	8.5	600	150	60	170	68	81	243	↓	↓	↓	↓
		50	7.5		515	150	60	165	66	81	243	↓	↓	↓	↓
RBH84-1705-3	3	60	17.5	13	600	265	106	260	104	81	309	↓	↓	↓	↓
		50	11		515	265	106	260	104	81	309	↓	↓	↓	↓

NOTE

- a) We recommend to refer to online performance curves to confirm detailed performance data. Performance data and product specifications are subject to change without prior notice. Allow actual performance variance of ±10%
- b) Pressure relief valve and filter **are required to obtain warranty coverage.**
- c) Voltage key: 1=1/6050115/230 2=1/60/50/230 3=3/60/208-23/460 and 3/50/220/380

STEP TWO Blower Model Selection

- a) Draw two imaginary lines, one for the horizontal and one for the vertical axis in the appropriate performance curve. The correct blower model is on curve that is just above this intersection point. Keep in mind that a variance of ±10% should be allowed.
- b) The correct blower model number is found by extending the pressure or vacuum imaginary line until it intersects the performance curve. The blower model number within the range where the intersection occurs is the correct model number. The model numbering convention is based on the following: Eg: RBH4-305-3
 RBH = Regenerative blower with high temperature features
 RBH4 = Blower size # 4
 RBH4-305 = 305 = 3.5HP
 RBH4305-3 = -3 = 3/60/208-230/460 and 3/50/220-380 volts

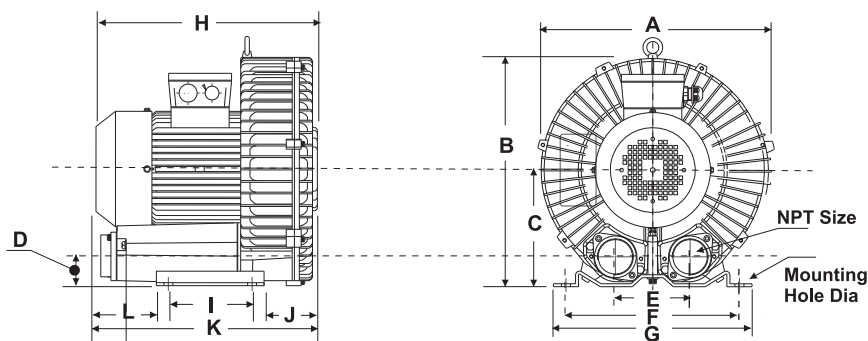
c) If you have any questions concerning the blower selection, just contact one of our distributors, sales representative or All-Star Products.

DIMENSIONS

Not for construction. For estimating purposes only.

Construction dimensions available on line.

Dimensions are subject to change without notice.

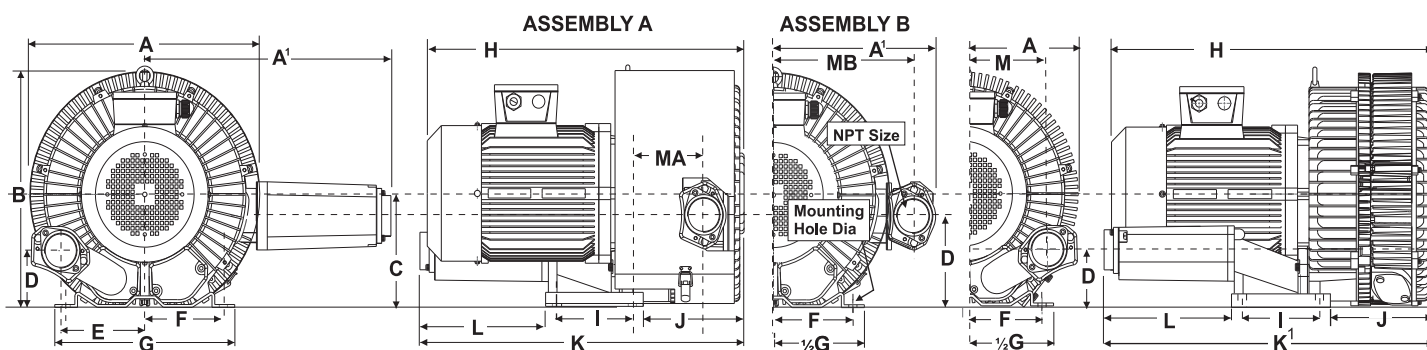


SINGLE STAGE

MODEL	HP	A	B	C	D	E	F	G	H	I	J	K	L	Hole mm	Dia NPT
RB1-025-3 & -1	.25	7.87	8.46	4.25	1.49	2.79	6.55	8.26	8.26	N/A	1.26	7.97	2.75	12	1"
RB1-033-3 & -1	.33														
RBH2-067-3 & -1	.67	9.6	9.8	5.18	1.57	3.62	8.07	8.93	9.76	3.26	2.3	10.0	3.42	10	1.25"
RBH3-101-3 & -1	1.1	11.18	11.8	5.98	1.67	4.52	8.85	9.96	10.66	3.74	2.93	10.43	2.0	12	1.5"
RBH3-2-3 & -2	2.0														
RBH4-2-3 & -2	2.0	13.07	13.31	6.93	1.73	4.80	10.23	11.65	11.61	4.52	2.44	10.44	2.0	14	2"
RBH4-205-3 & -2	2.5														
RBH6-305-3 & -2		15.07	16.34	7.71	2.0	4.92	11.41	12.99	13.93	5.51	4.13	12.79	3.70	15	2"
RBH6-5-3 & -2									15.61						
RBH6-601-3															
RBH8-805-3	8.5	18.34	21.9	10.62	3.3	5.78	14.37	16.61	18.42	11.02	.27	19.39	6.49	16	2.5"
RBH8-1105-3	11.5														
RBH9-15-3	15	22.04	22.8	12.0	3.74	8.27	14.17	16.63	24.43	24.86	8.54	27.95	N/A	16mm x 30mm	4"
RBH9-20-3	20														
RBH9-30-3	30														

HIGH PRESSURE

HIGH FLOW



TWO STAGE

MODEL	HP	A	A ¹	B	C	D	E	F	G	½G	H	I	J	K	K ¹	L	M	MA	MB	Hole mm	Dia NPT
RBH23-101-3 & -1	1.1	11.13	13.28	10.7	5.11	1.65	2.24	4.03	8.93	4.46	12.09	4.25	5.53	12.33	N/A	3.21	N/A	3.51	7.31	10	1.25
RBH33-2-1	2	12.80	13.78	12.32	6.02	6.02	4.56	8.86	9.96	5.06	15.35	3.74	5.23	12.36	N/A	2.01	N/A	4.08	7.77	12	1.5
RBH33-205-3 & -1	2.5	"	"	"	"	"	"	"	"	"	"	"	"	"	"	"	"	"	"	"	"
RBH43-305-2	3.5	14.33	17.42	14.7	6.89	5.51	2.34	5.12	11.73	5.86	18.03	4.53	5.89	18.02	N/A	3.68	N/A	4.33	9.52	14	2"
RBH43-5-3	5																				
RBH43-601-3	6.1																				
RBH63-601-3	6.1	16.7	17.87	16.40	7.68	1.97	2.46	5.71	13.07	6.53	18.39	5.51	8.90	18.07	N/A	3.66	N/A	5.19	9.89	15	
RBH63-805-3	8.5																				
RBH63-1105-3	11.5																				
RBH64-805-3	8.5	16.61	N/A	17.58	8.86	5.04	6.1				23.01		9.89		23.54	10.71	6.1	6.1	N/A		
RBH64-1105-3	11.5		N/A																		
RBH83-1105-3	11.5	19.04	14.6	22.32	11.02	3.78	2.85	7.18	16.54	8.27	23.09	11.02	5.04	24.33	24.33	6.89	12.09	2.09	12.09	16	2.5"
RBH84-1105-3	11.5		N/A														2.85	N/A	6.94	Slot	
RBH83-1705-3	17.5		14.6												28.86	11.42	12.09	2.09	12.09		
RBH84-1705-3	17.5		N/A														5.63	N/A	6.94		
RBH83-25-3	25.0		14.6											28.86			12.09	4.90	12.09		