

GUSHER PUMPS

CL-CC Series



General Service Industrial Pumps



A RUTHMAN COMPANY

CL-CC Series Horizontal Pumps

For general service pumping or industrial services, the CL-CC Series is a perfect reliable and economical solution. The close-coupled design and ANSI dimensional casing make installation extremely simple.

The CL-CC Series is also easy to operate and maintain with the added benefit of a substantial reduction in maintenance costs.



Key Specifications

Type: Centrifugal, End Suction

Flow: Up to 1600 gpm

Head: Up to 700' TDH

Liquid Temp: Max 250° F

Max Pressure: to 300 PSIG

Motor Type: NEMA JPM Shaft Motor

Intake: 1.5-6"

Discharge: 1-4"

Features

- Compact, space-saving close-coupled design eliminates manual pump/motor alignment to simplify installation
- Back pullout design reduces service downtime
- Renewable shaft sleeve protects shaft from wear
- Self-Setting Mechanical Seal prevents leakage
- Semi-enclosed impeller handles light solids

Options

- Cast Iron and 316 Stainless Steel construction
- Foot Mounted Casing
- Drip-proof, fan-cooled, or explosion-proof motor



Performance Curves

Low Maintenance

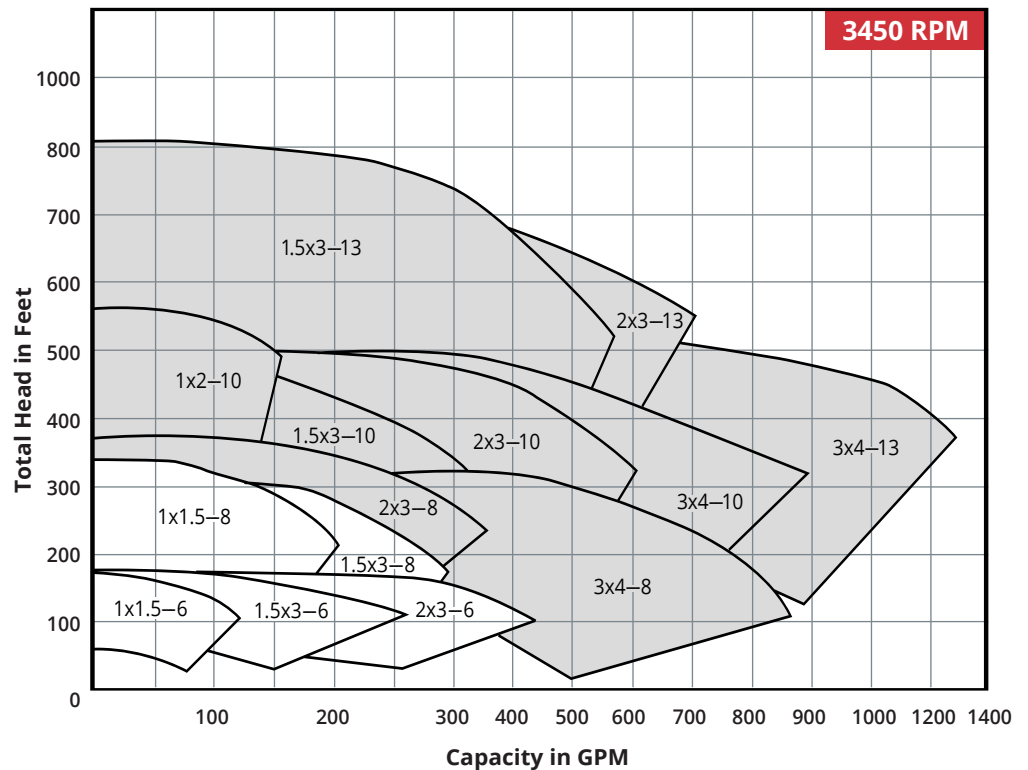
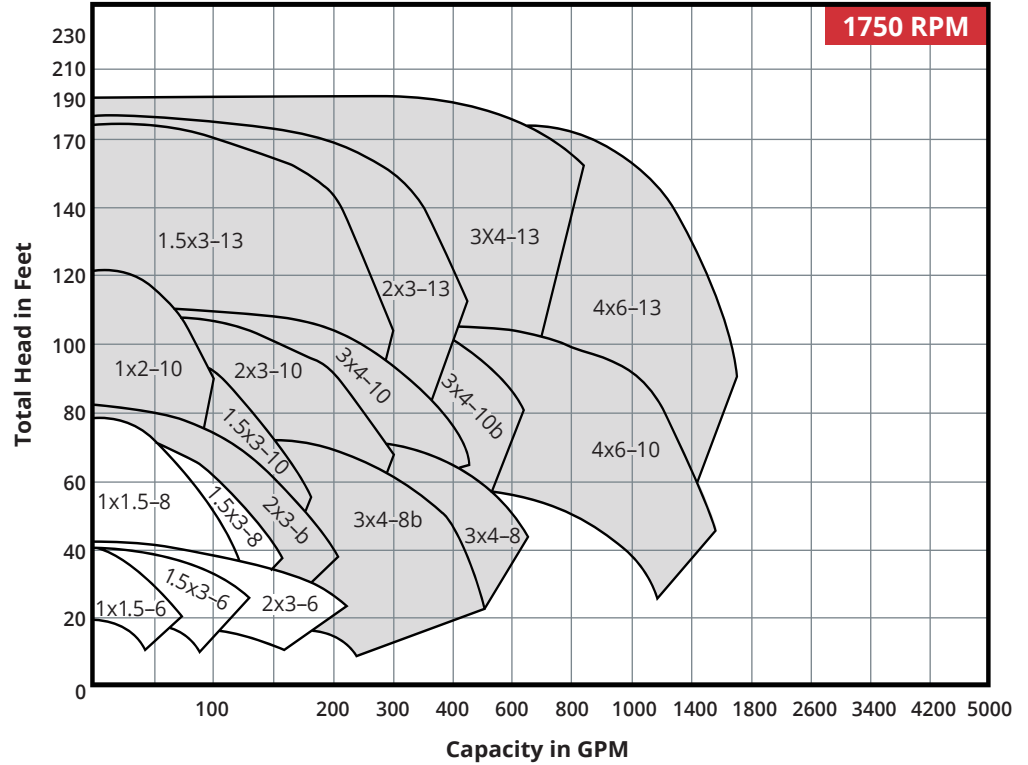
- Long service life
- Back pullout design
- Renewable shaft sleeve

Custom Design

- Choice of materials
- Choice of JPM shaft motor type

Applications

- Water Purification/Filtration (Reverse Osmosis, Ultra Filtration)
- Parts Washers
- Deionized Water
- Tank Transfer, Tank Cleaning
- Bottle Washing
- Waste Water
- Scrubbers
- Paint Systems
- OEM Skids
- Seal Water
- Condensate
- Boiler Circulation
- Cooling Water
- Electronics Cooling Chillers
- Batch Processing



A Complete range of NEMA JPM Shaft motors are available

Gusher Pumps CL-CC Series General Service Industrial Pumps

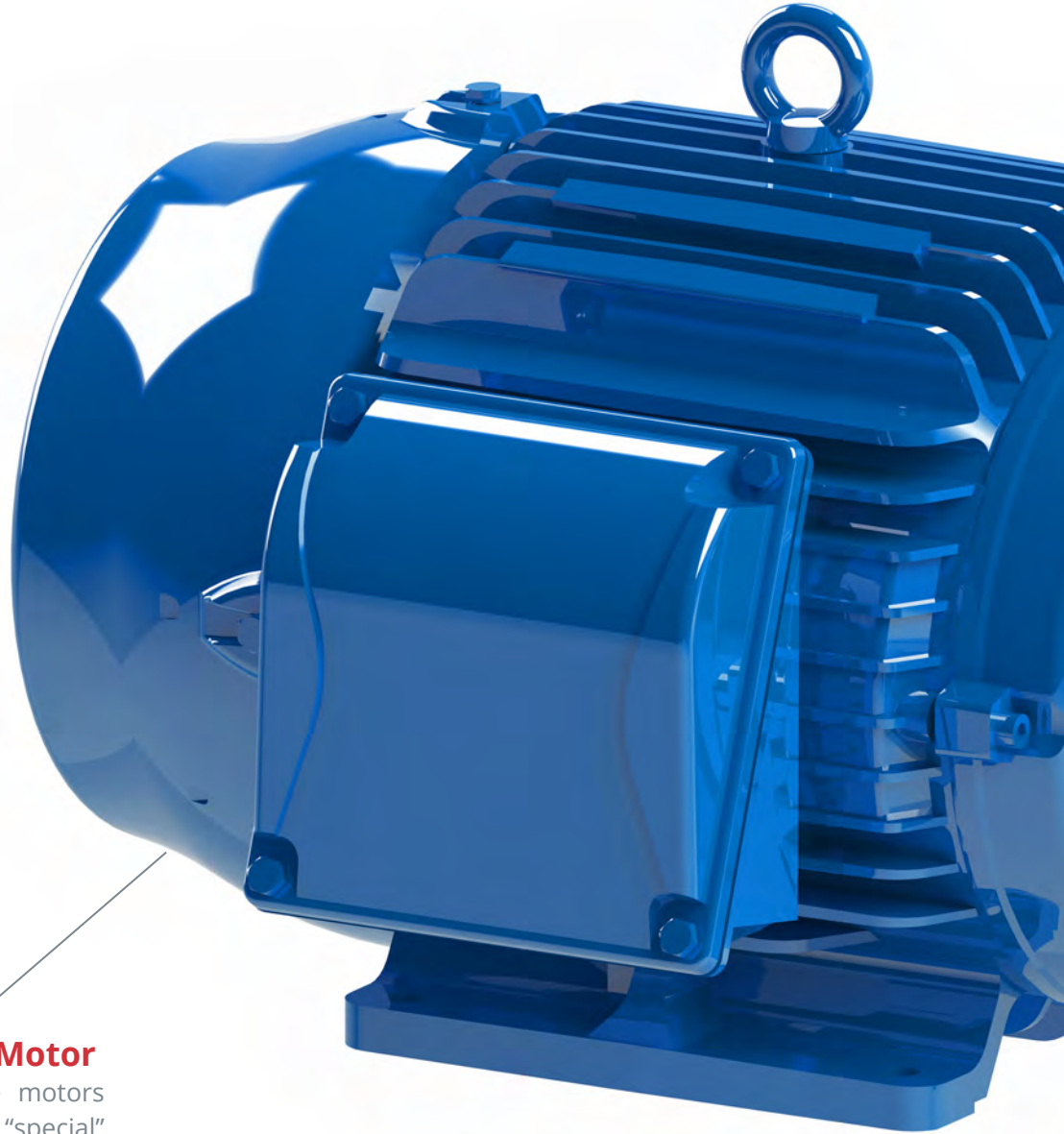
Design Features for a Wide Range of Industrial Services

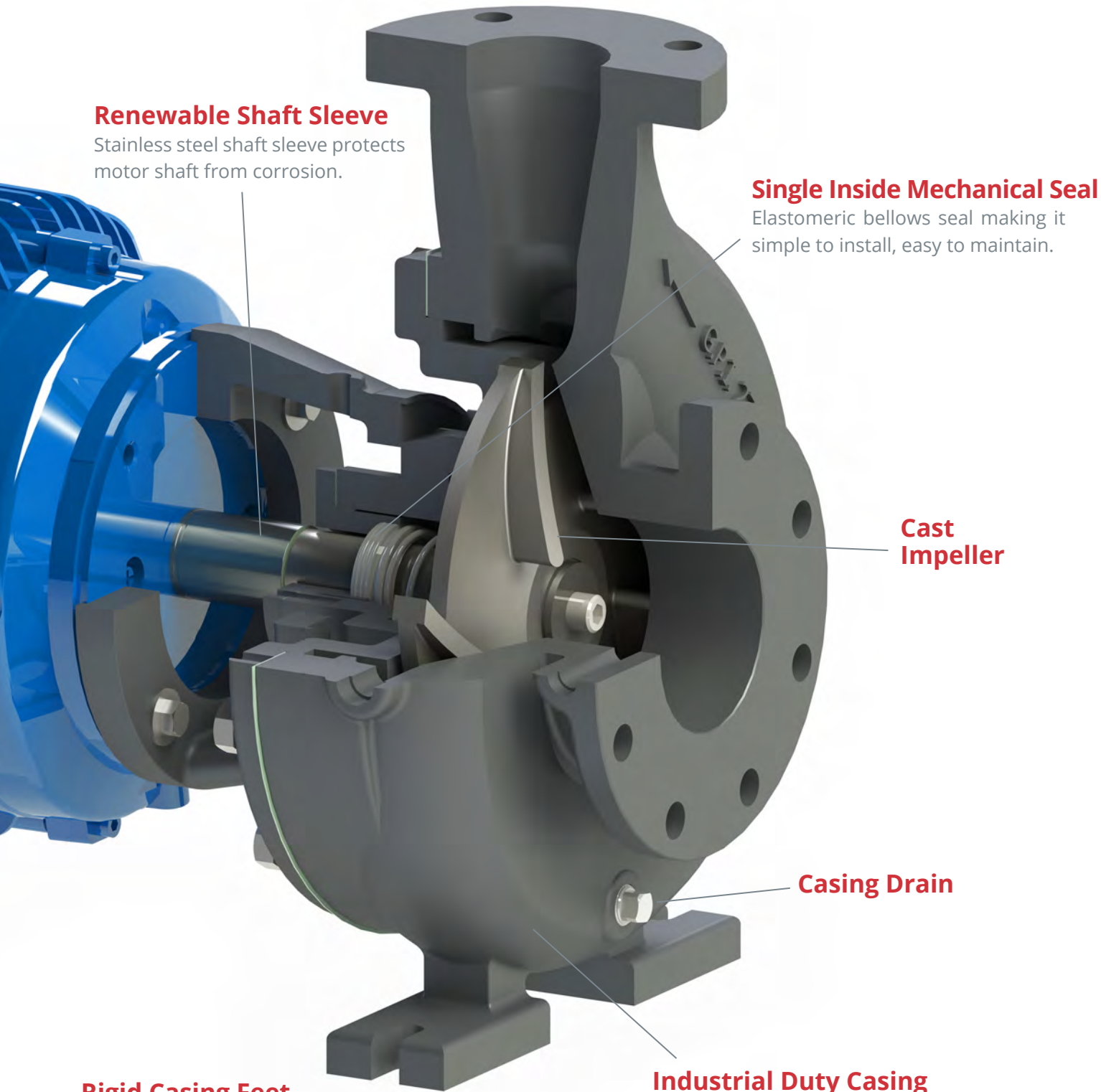
Close-Coupled

Design eliminates need to perform time consuming pump/motor alignment.

NEMA JPM Shaft Motor

Commercially available motors eliminate need to stock "special" motors. Available in open drip-proof, total enclosed fan-cooled and explosion-proof.





Renewable Shaft Sleeve

Stainless steel shaft sleeve protects motor shaft from corrosion.

Single Inside Mechanical Seal

Elastomeric bellows seal making it simple to install, easy to maintain.

Cast Impeller

Casing Drain

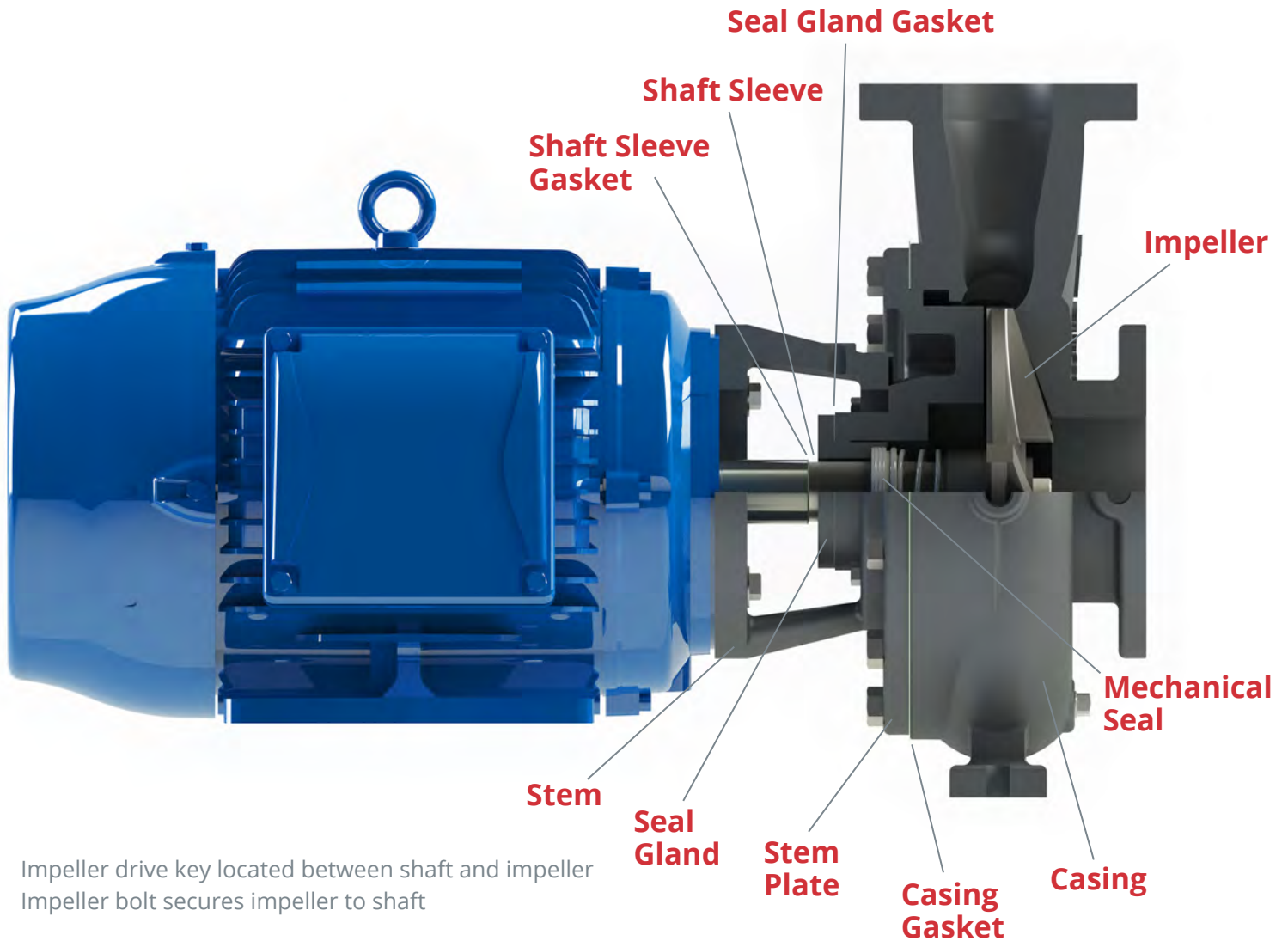
Rigid Casing Feet

Reduces effect of pipe loads on pump performance. Facilitates back pull-out for ease of maintenance.

Industrial Duty Casing

Cast with generous wall sections, provides extended pump life on corrosive/erosive service. ANSI dimensional for ease of installation. ANSI Class 150 flanges are standard.

CL-CC Series Parts List



Impeller drive key located between shaft and impeller
 Impeller bolt secures impeller to shaft

Ordering Information

Order the Gusher CL-CC Series Pump to meet your needs by model name. The model name should be specified as follows:

Back Pull-Out Design Max Size Impeller Close-Coupled Material (See Chart Below)

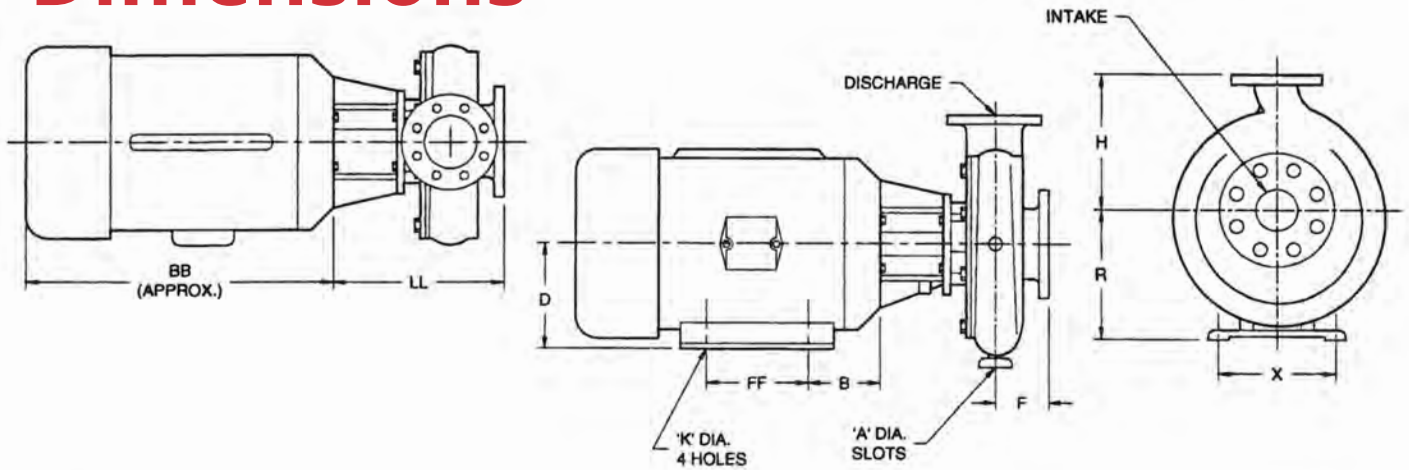
PCL X X SE - CC - 4 -

Center Line Discharge Size Suction Size Semi-enclosed Impeller 12 O'clock Discharge Position

Materials of Construction

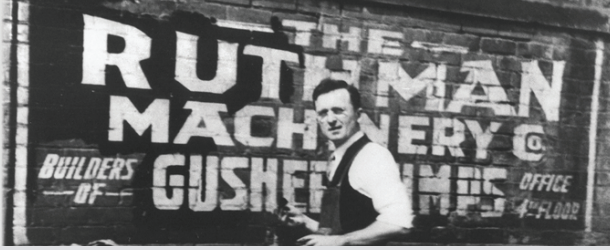
Material Designation	Type	Description
A	All Iron	Cast Iron Construction
B	Stainless Steel	316 Stainless Steel Wetted Parts
C	Stainless Steel Fitted	316 Stainless Steel Shaft and Impeller

Dimensions



Model	H	F	X	R	LL	A	DISCH.	INTAKE
PCL-1x1.5-6SE	6.50	4	6	5.25	11.87	.62	1	1.50
PCL-1x1.5-8SE	6.50	4	6	5.25	11.56	.62	1	1.50
PCL-1x2-10SE	8.50	4	9.75	8.25	11.78	.62	1	2
PCL-1.5x3-6SE	6.50	4	6	5.25	11.88	.62	1.50	3
PCL-1.5x3-8SE	6.50	4	6	5.25	11.56	.62	1.50	3
PCL-1.5x3-10SE	8.50	4	9.75	8.25	11.78	.62	1.50	3
PCL-1.5x3-13SE	10.50	4	9.75	10	11.12	.62	1.50	3
PCL-2x3-6SE	6.50	4	6	5.25	11.25	.62	2	3
PCL-2x3-8SE	9.50	4	9.75	8.25	11.56	.62	2	3
PCL-2x3-10SE	9.50	4	9.75	8.25	11.78	.62	2	3
PCL-2x3-13SE	11.50	4	9.75	10	11.12	.62	2	3
PCL-3x4-8SE	11	4	9.75	8.25	11.56	.62	3	4
PCL-3x4-8B-SE	11	4	9.75	8.25	11.56	.62	3	4
PCL-3x4-10SE	11	4	9.75	8.25	11.50	.62	3	4
PCL-3x4-10B-SE	12.50	4	9.75	10	11.50	.62	3	4
PCL-3x4-13SE	12.50	4	9.75	10	11.75	.62	3	4
PCL-4x6-10SE	13.50	4	9.75	10	11.50	.62	4	6
PCL-4x6-13SE	13.50	4	9.75	10	11.75	.62	4	6
NEMA FR. SIZE	BB	D		FF	B	'K' DIA. HOLES		
143JP	10.62	3.50	-	4	2.87	.34		
145JP	11.62	3.50	-	5	2.87	.34		
182JP	12.68	4.50	-	4.50	3.50	.40		
184JP	13.68	4.50	-	5.50	3.50	.40		
213JP	15.37	5.25	-	5.50	4.50	.40		
215JP	16.87	5.25	-	7	4.50	.40		
254JP	19.50	6.25	-	8.25	4.75	.53		
256JP	21.25	6.25	-	10	4.75	.53		
284JP	21.56	7	-	9.50	4.75	.53		
286JP	23.06	7	-	11	4.75	.53		
324JP	23.93	8	-	10.50	5.25	.65		
326JP	25.43	8	-	12	5.25	.65		

Ruthman Companies: A family-owned business supplying pumps for over 100 years



Ruthman Companies was co-founded in 1912 by brothers Alois and Edward Ruthman as the “Ruthman Machinery Company.” Based in Cincinnati, the company serviced the steamboats that traveled the Ohio River. In 1924, Alois conceived the first seal-less centrifugal pump, coining the term ‘coolant pump.’ The brothers named this new pump “Gusher,” giving birth to what is now Ruthman Companies’ flagship brand, Gusher Pumps.

Alois’ son Thomas R. Ruthman joined the family business in 1949, growing the business globally through organic growth and the acquisition of complementary technologies. In the early 1990’s, Alois’ grandson, Thomas G. Ruthman, became the third generation of Ruthmans in the pump business. Over the years, Ruthman Companies has expanded its product line from the original centrifugal coolant pumps to include valves, vertical turbine pumps, positive displacement pumps, gear pumps, and other specialized pump equipment, while upholding its reputation as a leader in the custom engineering of pumps for the most challenging applications.

GUSHER PUMPS LOCATIONS

Williamstown Headquarters

115 Industrial Road
Williamstown, KY 41097
Phone: 859.824.3011
Email: Info@Gusher.com
www.Gusher.com

Dry Ridge Manufacturing

22 Ruthman Drive
Dry Ridge, KY 41035
Phone: 859.824.5001
Email: Info@Gusher.com

Dry Ridge Training Facility

3565 Dixie Highway
Dry Ridge, KY 41035
Phone: 859.824.5001
Email: Info@Gusher.com

New Castle Sales & Service

403 North Ninth Street
New Castle, IN 47362
Phone: 765.529.5624
Email: GusherNC@Gusher.com

Gusher Pumps, Shanghai

655 Caosheng Road
Jiading District
Shanghai, China 201808
Phone: +86 (021) 55151993
Email: Flomo@Gusher.com

RUTHMAN COMPANIES MANUFACTURING DIVISIONS

BSM Pump Corp.

260 Narragansett Park Drive
East Providence, RI 02916
Phone: 401.471.6350
Email: Sales@BSMPump.com
www.BSMPump.com

Fulflo Hydraulic Valves

459 East Fancy Street
Blanchester, OH 45107
Phone: 937.783.2411
Email: Info@Fulflo.com
www.Fulflo.com

Nagle Pumps

1249 Center Avenue
Chicago Heights, IL 60411
Phone: 708.754.2940
www.NaglePumps.com

Process Systems Inc. Headquarters

23633 Pinewood Street
Warren, MI 48091
Phone: 586.757.5711
Email: Sales@PSI4Pumps.com
www.PSI4Pumps.com

Process Systems Inc. Midwest Service

485 N. State Route 341 South
Mellott, IN 47958
Phone: 765.295.2206
Email: Sales@PSI4Pumps.com
www.PSI4Pumps.com

RAE Pumps

1212 Steng Street
Cincinnati, OH 45223
Phone: 513.779.3034
Email: Info@RAEPumps.com
www.RAEPumps.com

Ruthman Pumps & Service

1212 Steng Street
Cincinnati, OH 45223
Phone: 513.559.3546
www.RuthmanCompanies.com

Ruthmann Pumpen, LLC

Thomas-Edison-Str. 11
D-52499 Baesweiler
Germany
Phone: +49 (0) 2401 80489-0
Email: Info@RuthmannPumpen.de
www.RuthmannPumpen.de

RUTHMAN COMPANIES HEADQUARTERS

7236 Tylers Corner Drive
West Chester, OH 45069
Phone: 513.559.1901
www.RuthmanCompanies.com

