



Liquiflo Centrifugal Pumps

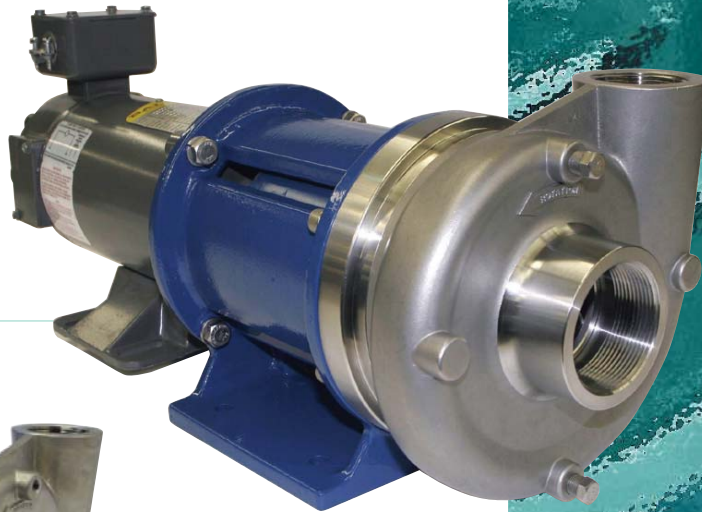
CENTRY® SERIES

Copyright © 2005 Liquiflo, Inc.
All rights reserved. 05-8 Centry

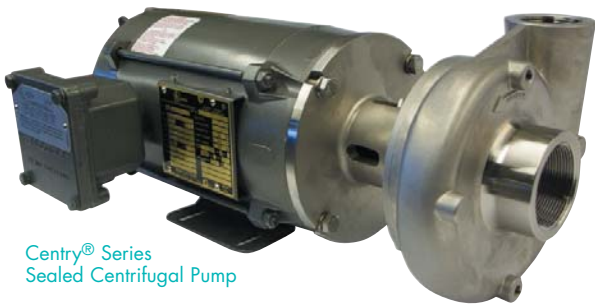
Stainless and Tough, Meet the New...

Liquiflo Centry™ Series

- Sealed or Mag-Drive
- 316 Stainless Steel Construction
- Flows Up to 150 GPM
- Heads Up to 100 Feet
- Close-Coupled



Centry® Series
Mag-Drive Centrifugal Pump



Centry® Series
Sealed Centrifugal Pump

FEATURES

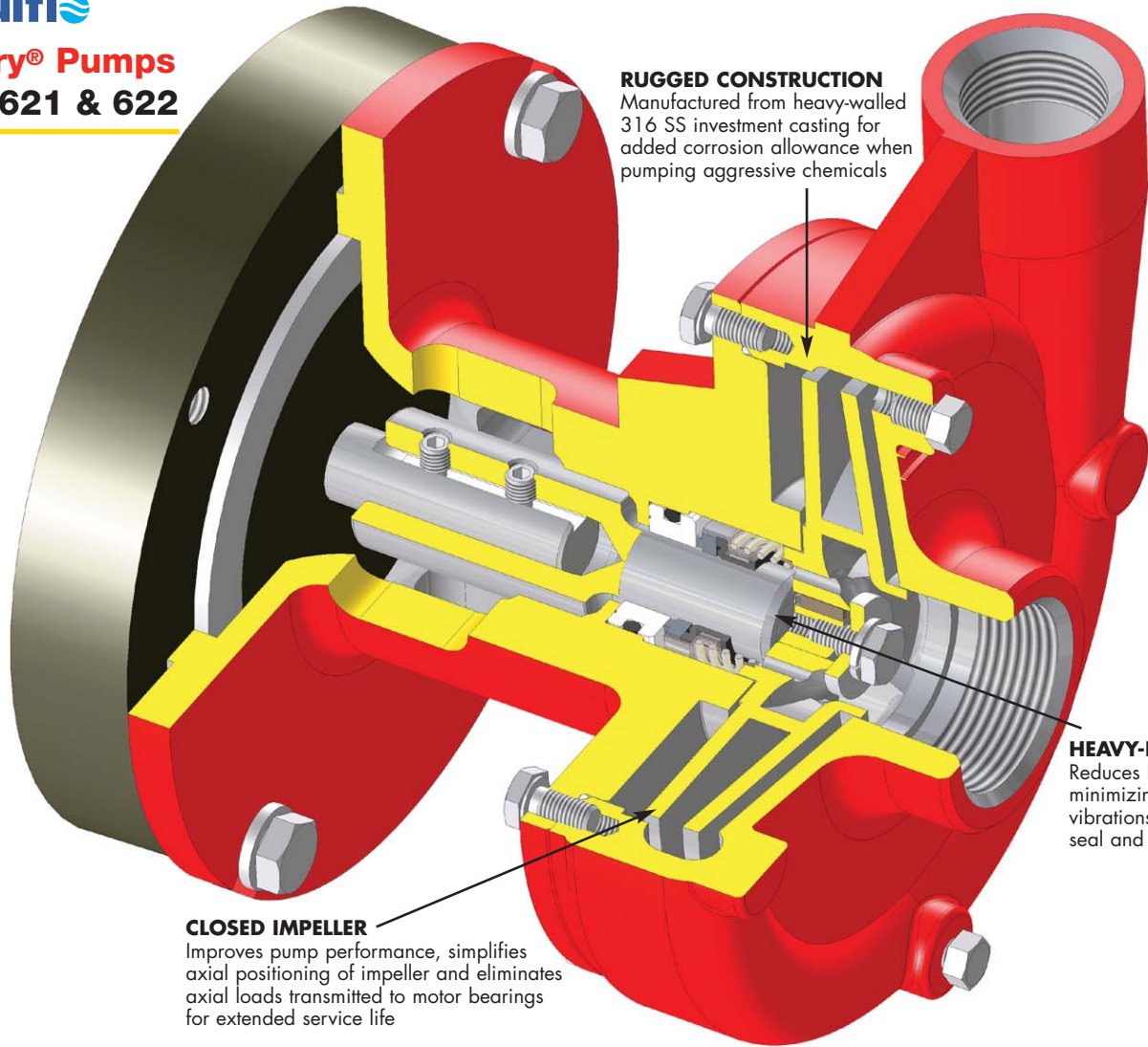
The Liquiflo **Centry® Series** Centrifugal Pumps were exclusively designed for chemical, agricultural, general industrial, or specific OEM applications. Both economically-priced and ruggedly constructed, these pumps are made from heavy-walled investment cast 316 SS. Compared to other manufacturer's products, the extra corrosion allowance offered by our Centry Series pumps will add years of service life even when pumping harsh and corrosive chemicals.

In general purpose applications, they promise unequalled performance and years of trouble-free operation. The back pullout design allows for quick and easy maintenance since the volute can be kept in-line while the internal components of the pump are replaced or repaired. The Centry Series pumps are available with either Mechanical Seal or Magnetic-Drive.

Rugged Construction

Centry® Series pumps are extremely durable and well-suited for aggressive chemical applications. Their oversized shafts reduce L^3/D^4 ratio minimizing unwanted shaft vibrations which extend the life of the seal and bearings.





RUGGED CONSTRUCTION
Manufactured from heavy-walled 316 SS investment casting for added corrosion allowance when pumping aggressive chemicals

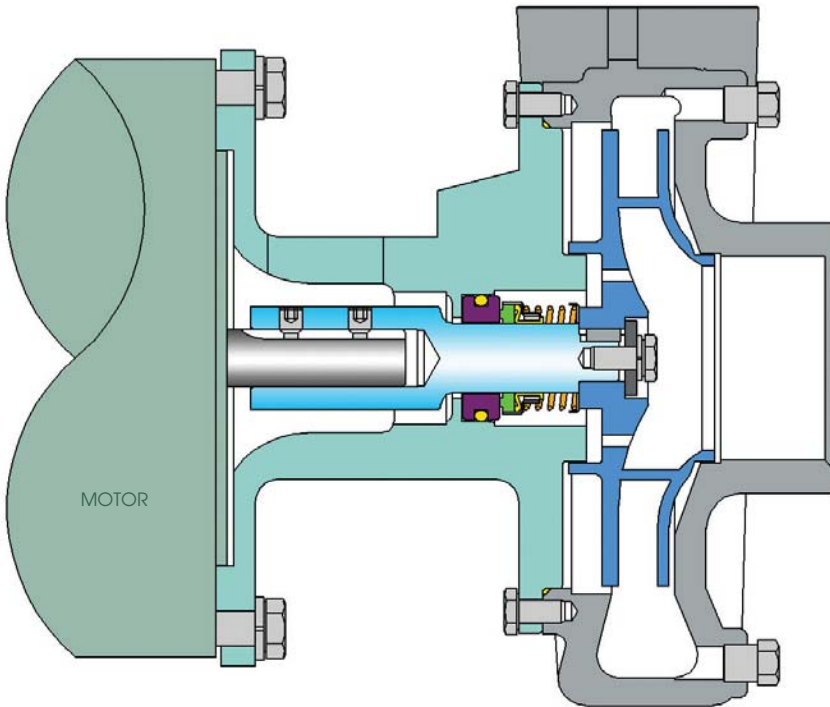
HEAVY-DUTY SHAFT
Reduces L^3/D^4 ratio, minimizing unwanted shaft vibrations which extend seal and bearing life

CLOSED IMPELLER
Improves pump performance, simplifies axial positioning of impeller and eliminates axial loads transmitted to motor bearings for extended service life

SEALED PUMP

Mechanically Sealed Pumps:

- **Close-Coupled** or **Long-coupled** mounting available.
- **Type 21** Seals are standard with optional **Type 9** Seals available.
- Standard seal materials are **Carbon Seal Face** with **Ceramic Seal Seat**. Other options available.
- **Closed Impeller** improves pump performance, simplifies axial positioning of impeller and eliminates axial loads transmitted to motor bearings for extended service life.
- **Back Pullout Design** simplifies maintenance.
- **Impeller Positioning Ring** eliminates guesswork when trying to position impeller on close-coupled sealed pumps. With this unique design, a new or replacement sealed pump is fitted to the motor without having to adjust the impeller position. The **Centry Series** is the only pump available with this feature.



Centry® Pumps

Features of Sealed and Seal-less



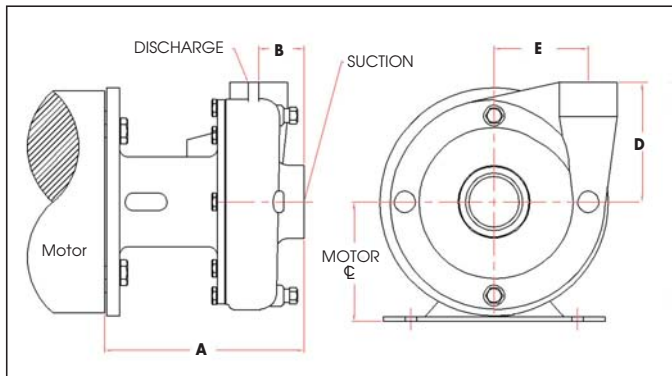
Models Available

MODEL	SIZE * (inches)	MAX FLOW	MAX HEAD
620	1 x 3/4 x 3 3/4	45 GPM	65 FT
621	1 1/4 x 1 x 5	85 GPM	100 FT
622	2 x 1 1/2 x 5	160 GPM	95 FT

* Suction Port Size x Discharge Port Size x Impeller Diameter

DIMENSIONAL CHARTS (inches)

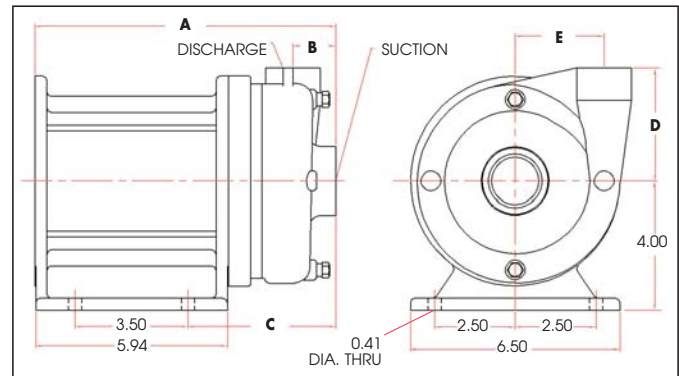
SEALED



Model	Suction	Discharge	A	B	D	E
620	1"	3/4"	6.56	1.31	2.75	2.25
621	1 1/4"	1"	5.83	1.32	3.50	2.75
622	2"	1 1/2"	6.70	2.12	3.82	3.12

Note: Drawings for Reference Only

MAG-DRIVE



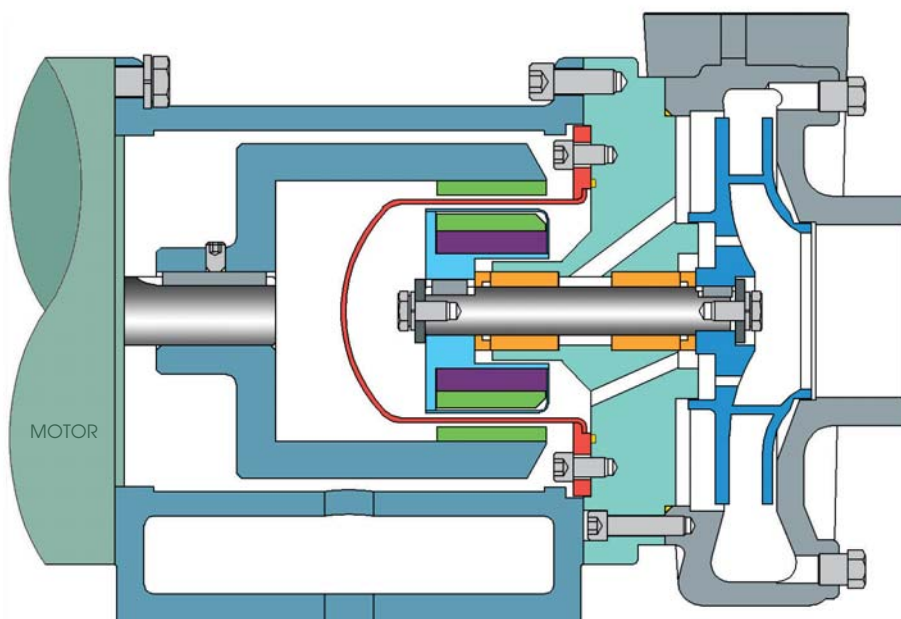
Model	Suction	Discharge	A	B	C	D	E
620	1"	3/4"	8.87	1.31	4.125	2.75	2.25
621	1 1/4"	1"	9.33	1.32	4.58	3.50	2.75
622	2"	1 1/2"	10.20	2.12	5.45	3.82	3.12

Note: Drawings for Reference Only

MAG-DRIVE PUMP

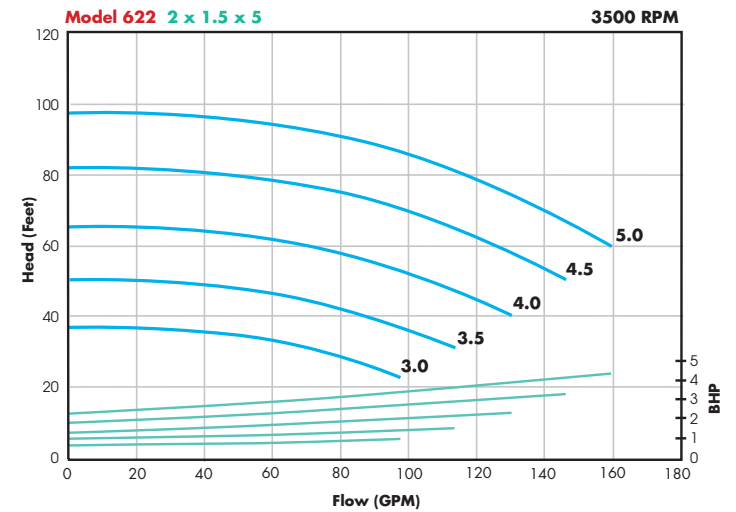
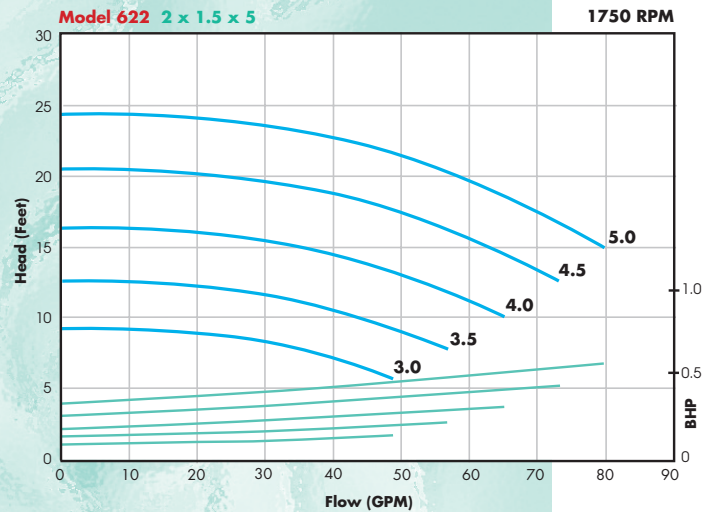
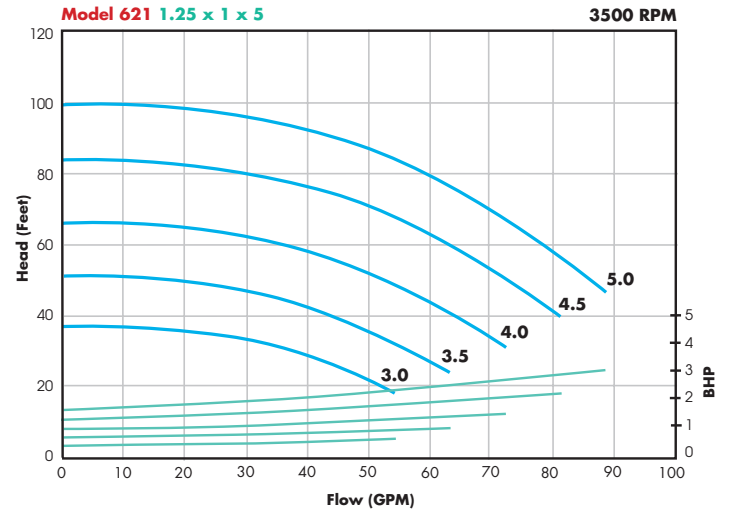
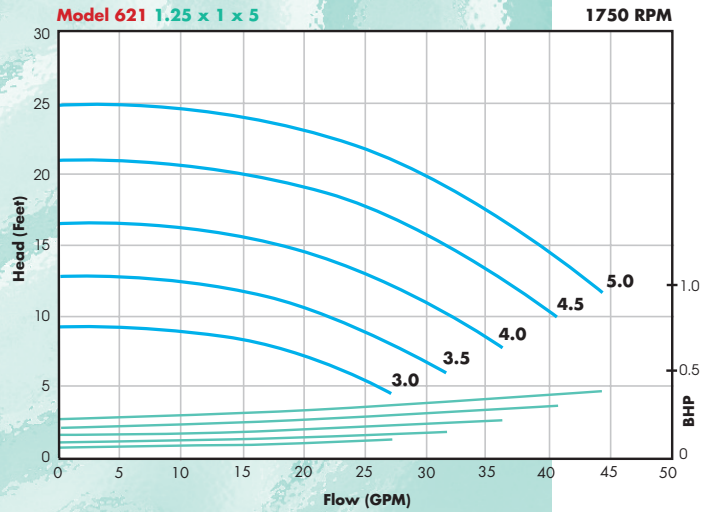
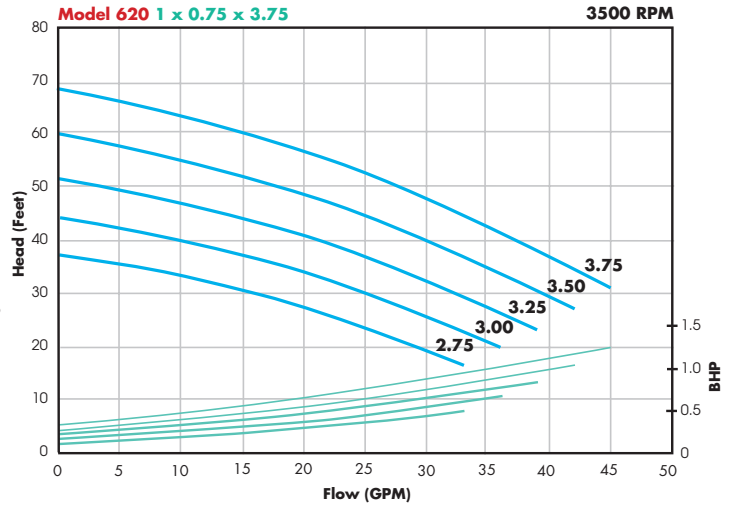
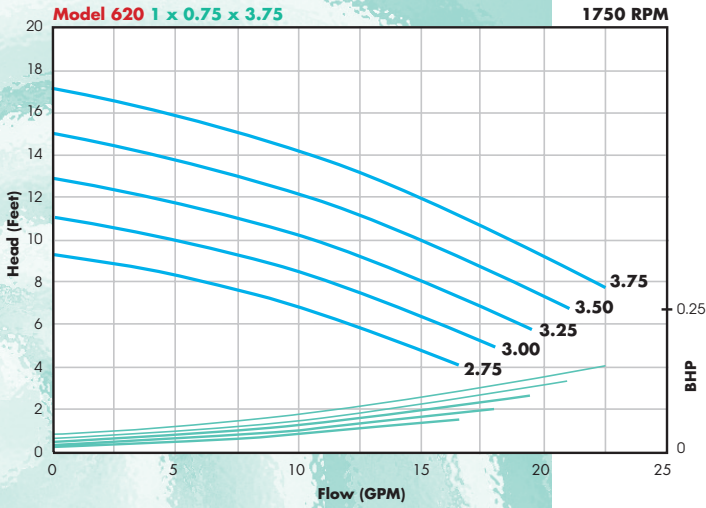
Mag-Drive Pumps:

- **Double Support Sleeve Bearings** are standard in Carbon and also available in Silicon Carbide for ultra-thin or abrasive fluids. Thrust bearings are standard in Silicon Carbide.
- **Hard Ceramic Coated Shafts** are standard which extends service life even when pumping thin or abrasive fluids. Optional Tungsten Carbide coating is also available.
- **Samarium Cobalt Magnets** are available in two sizes to meet specific application requirements.
- Available in a **Close-Coupled** or Power Frame design.
- **Back Pullout Design** simplifies maintenance.



Liquiflo Centrifugal Pumps

CENTRY® SERIES



tel.
908.518.0777

fax.
908.518.1847

www.liquiflo.com

443 North Avenue
Garwood
New Jersey
07027
USA

**Challenge Us
With Your
Toughest
Pumping
Applications**