



AMPCO 
APPLIED PRODUCTS



SLH-4G

The Premium Hygienic Twin Screw Pump

TWIN SCREW PUMP TECHNOLOGY

A Winning Combination

Ampco Pumps
Company 

 **Bornemann**
An ITT Brand

A WINNING COMBINATION

World-renowned twin screw technology from Bornemann combined with the service, delivery and support that you have come to rely on from Ampco Pumps.

Ampco has a large inventory of pumps and parts ready to ship today!

As the first worldwide twin screw pump supplier, Bornemann introduced the hygienic SLH design of twin screw pumps in 2004 to the Food & Pharma industries. The design is based on 150 years of proven technology from Bornemann's industrial twin screw pumps. This experience aligned with the hygienic requirements of EHEDG and 3A Sanitary Standards make the SLH the world leader in sanitary twin screw pump technology. Ampco's partnership with Bornemann makes this leading technology available in the United States and beyond with full distributor support and fast deliveries.

TWO STANDARD MODELS AVAILABLE: **SLH-4G** & **SLH-4U**

Materials

- Product-contact materials: 316L / 1.4404
- Product-contact elastomers: HNBR / EPDM / FKM
- Silicon Carbide, Tungsten Carbide, and knife edge seals or other materials available on request

Connections:

- Tri-Clamp (DIN 32676)
- DIN 11851
- DIN 11864-2
- SMS 1145
- Other connections available

Features & Options

SLH-4G

- Aseptic application (EHEDG EL type Aseptic certified)
- Customized flanges
- Heating / cooling jacket on pump casing
- Wear protection options
- Higher surface finishes available
- Three part design (Cover, Pump Casing, Intermediate Flange)
- Variable port types and sizes available
- Hygienic elastomers
- Cartridge mechanical seals
- Single & double mechanical seals

SLH-4U

- Cover and pump casing have been designed as a single component
- Standard port diameter
- Hygienic elastomers
- Single & double mechanical seals

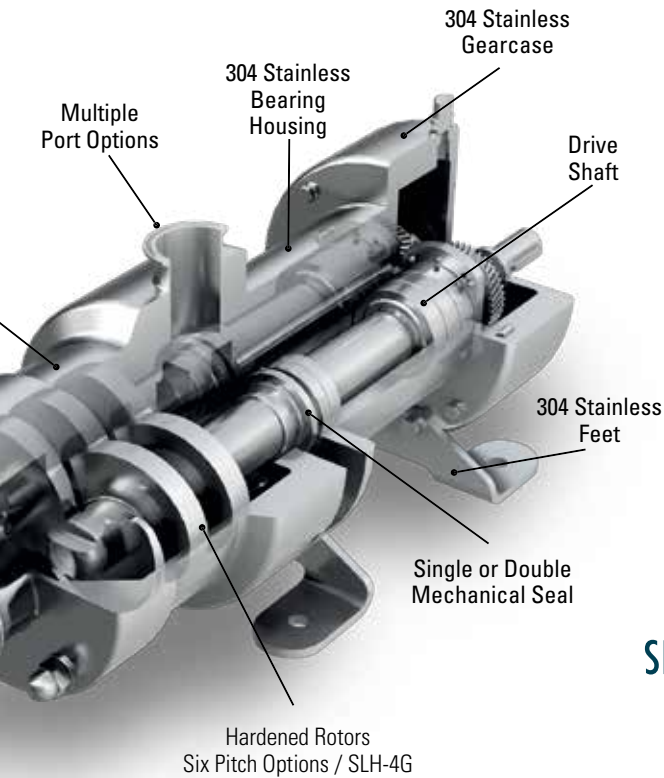
| MAX VISCOSITY | MAX PSI | MAX FLOW | MAX TEMP | MAX PORT SIZE | MAX PARTICAL SIZE |
|---------------|------------|-----------------------------------|---------------|---------------|-------------------|
| 1,000,000 CP | 362/25 BAR | 1321 GPM / 300 m ³ /hr | 392°F / 200°C | 6" / 152 mm | 2.3" / 58 mm |

316L
Stainless Body

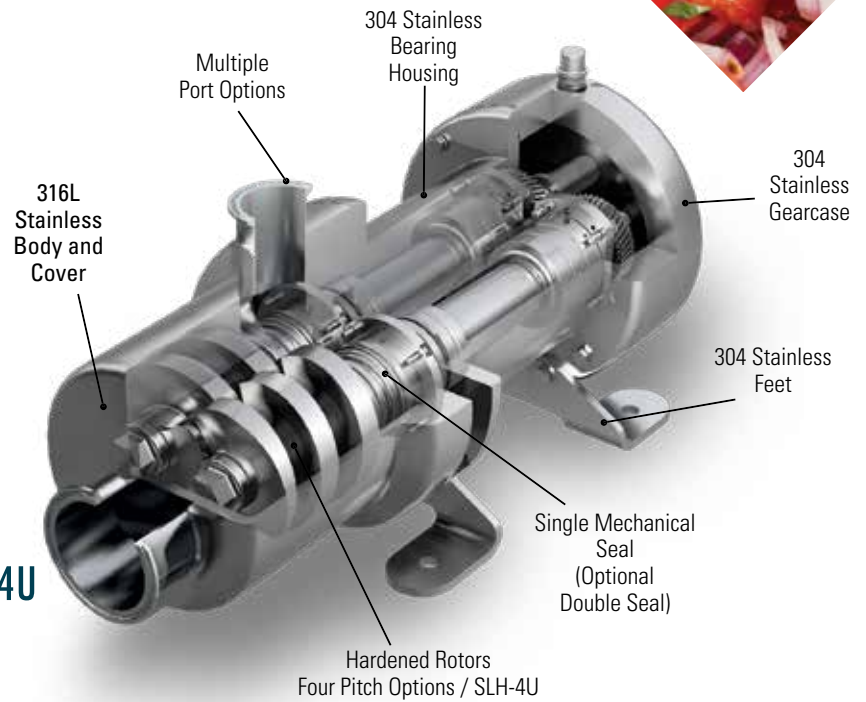
316L
Stainless Cover

SLH-4G





SLH-4U



Advantages

The SLH twin screw is a dual duty pump, capable of both processing and CIP.

Product Integrity

The axial conveyance protects products maintaining size, surface and visual integrity.

Flexibility

Fifty different combinations of screw diameters and pitches ensures the best fit for your application. The pump operates at a wide range of speeds, providing flexibility for different operating points.

Long Service Life

SLH Pumps feature no metal-to-metal contact between screws and housing. This provides trouble-free conveyance even for abrasive media and minimal downtime.

Pump Characteristics

- Self-priming
- Safe operation at high viscosities
- Low pulsation
- Low noise level
- Dry running potential
- Constant flow at varying pressures and volumes
- Suction lift up to 25 feet (8.5 m)

SLH-4G

Ampco Pumps has decades of experience working with customers and understanding the food processing industry. The SLH-4G offers all the advantages of a hygienic twin-screw pump with a number of customized features and options. This provides the best solution for a wide range of applications.

The SLH-4G design features include

- Three part design (cover, pump casing, intermediate flange)
- Different flange diameters
- Hygienic elastomers
- Cartridge mechanical seals

Connections

- Tri-Clamp (DIN 32676)
- SMS 1145
- DIN 11851
- DIN 11864-2
- Other connections available

Materials

- Product-contact materials: 316L / 1.4404
- Product-contact elastomers: HNBR / EPDM / FKM
- Other materials on request

Seals

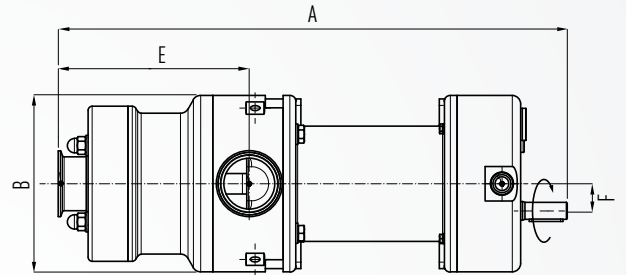
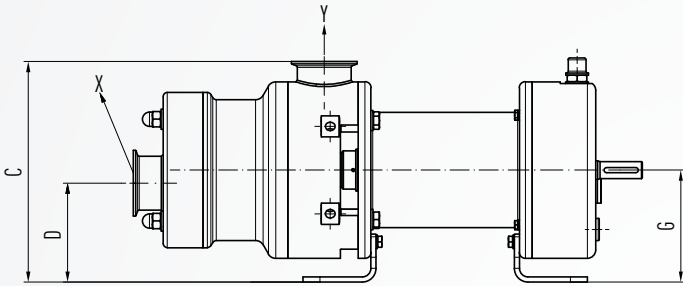
- Cartridge style
- Single and double mechanical

SLH-4G features and options

- Aseptic application (EHEDG EL type Aseptic certified)
- Customized flanges
- Heating / cooling jacket on pump casing
- Wear protection options
- Higher surface finishes available

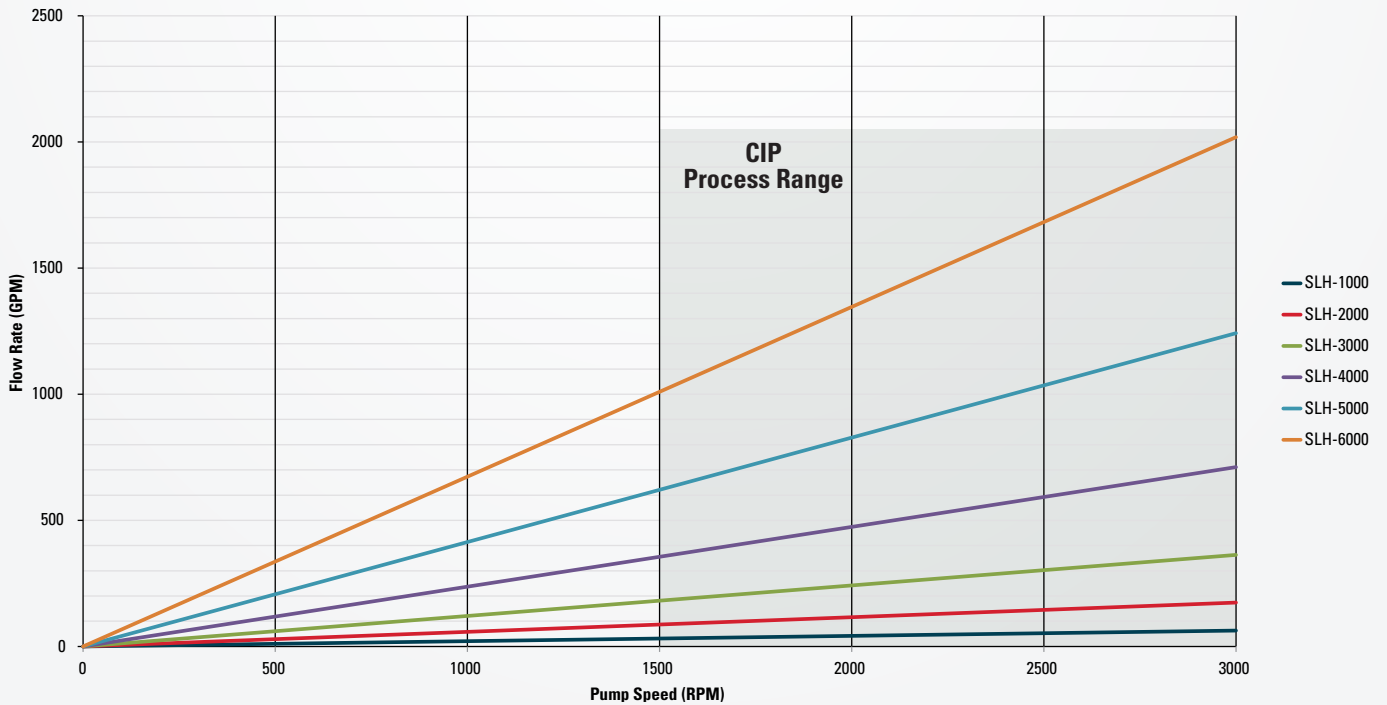


| Operating Data | Application | Unit | Size | | | | | |
|-----------------------|--------------|------------|-----------|----------|-----------|-----------|------------|------------|
| | | | 1000 | 2000 | 3000 | 4000 | 5000 | 6000 |
| Capacity | Medium | gpm m³/h | 35 8 | 110 25 | 220 50 | 440 100 | 880 200 | 1321 300 |
| | CIP | | 53 12 | 176 40 | 440 100 | 880 200 | 1321 300 | 2200 500 |
| Differential Pressure | Medium CIP | psi bar | 232 16 | 362 25 | | | | |
| Rotation Speed | Medium CIP | RPM | 3600 | | | | 2600 | 2200 |
| Viscosity | Medium | cp cst | 1,000,000 | | | | | |
| | CIP | | 1 | | | | | |
| Temperature | Medium | °F °C | 392 200 | | | | | |
| | CIP | | 203 95 | | | | | |
| | SIP | | 302 150 | | | | | |



| Model | A (inch / mm) | B (inch / mm) | C (inch / mm) | D (inch / mm) | E (inch / mm) | F (inch / mm) | G (inch / mm) | X | Y | Weight in lbs / kg |
|-------|---------------|---------------|---------------|---------------|---------------|---------------|---------------|--------------------------------|--------------------------------|--------------------|
| 1000 | 18.50 470 | 7.00 178 | 9.06 230 | 4 101.5 | 6.89 175 | 4.41 112 | 4.41 112 | DN50-DIN 11851, 2"-Tri-Clamp | DN50-DIN 11851, 2"-Tri-Clamp | 40 / 88 |
| 2000 | 23.82 605 | 8.19 208 | 10.43 265 | 4.75 120 | 9.06 230 | 5.20 132 | 5.20 132 | DN65-DIN 11851, 2.5"-Tri-Clamp | DN65-DIN 11851, 2.5"-Tri-Clamp | 61 / 134 |
| 3000 | 27.76 705 | 10.16 258 | 12.80 325 | 5.56 142 | 10.83 275 | 6.30 160 | 6.30 160 | DN80-DIN 11851, 3"-Tri-Clamp | DN80-DIN 11851, 3"-Tri-Clamp | 116 / 255 |
| 4000 | 33.82 859 | 12.50 318 | 16.34 415 | 6.19 157 | 13.19 335 | 7.09 180 | 7.09 180 | DN100-DIN 11851, 4"-Tri-Clamp | DN100-DIN 11851, 4"-Tri-Clamp | 230 / 506 |
| 5000 | 40.28 1023 | 15.67 398 | 19.50 495 | 8.31 211.5 | 15.25 390 | 9.84 250 | 9.84 250 | DN125-DIN 11851, 4"-Tri-Clamp | DN125-DIN 11851, 4"-Tri-Clamp | 420 / 924 |
| 6000 | 45.87 1165 | 17.64 448 | 21.25 540 | 8.88 225 | 17.72 450 | 11.00 280 | 11.00 280 | DN150-DIN 11851, 6"-Tri-Clamp | DN150-DIN 11851, 6"-Tri-Clamp | 700 / 1540 |

SLH Twin Screw Pump Capacity Curves



SLH-4U



Looking for a more affordable option with many of the benefits provided with twin screw pump technology? The SLH-4U was developed as a cost effective alternative to the SLH-4G. The SLH-4U is a very similar alternative to the SLH-4G with less optional features.

The SLH-4U standard features include:

- Cover and pump casing have been designed as one component
- Standard port diameters
- Hygienic elastomers
- Single mechanical seal standard (double seal available)

Connections

- The connections are integrated in the pump casing

Standard connections

- Tri-Clamp

Nominal connection sizes:

- SLH-4U 1000 – DN 50 / 2" Tri-Clamp
- SLH-4U 2000 – DN 65 / 2½" Tri-Clamp
- SLH-4U 3000 – DN 80 / 3" Tri-Clamp

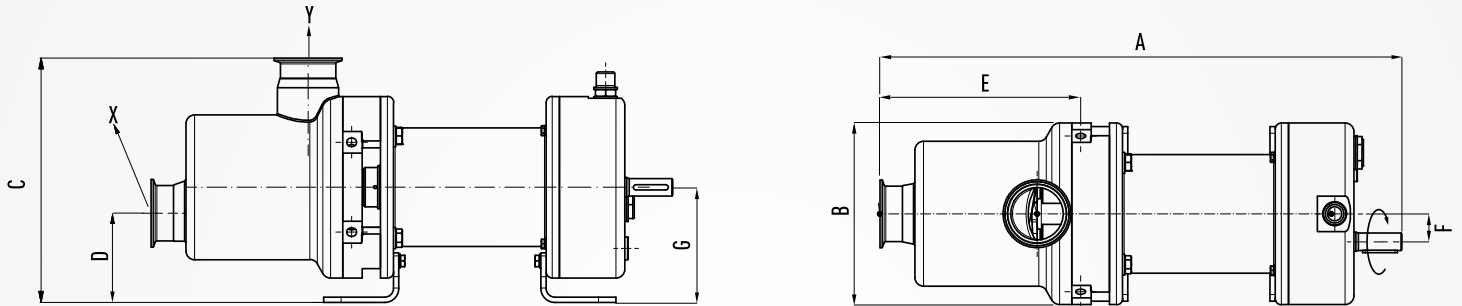
Materials

- Product-contact materials: 316L / 1.4404
- Product-contact elastomers: HNBR / EPDM / FKM

Seals

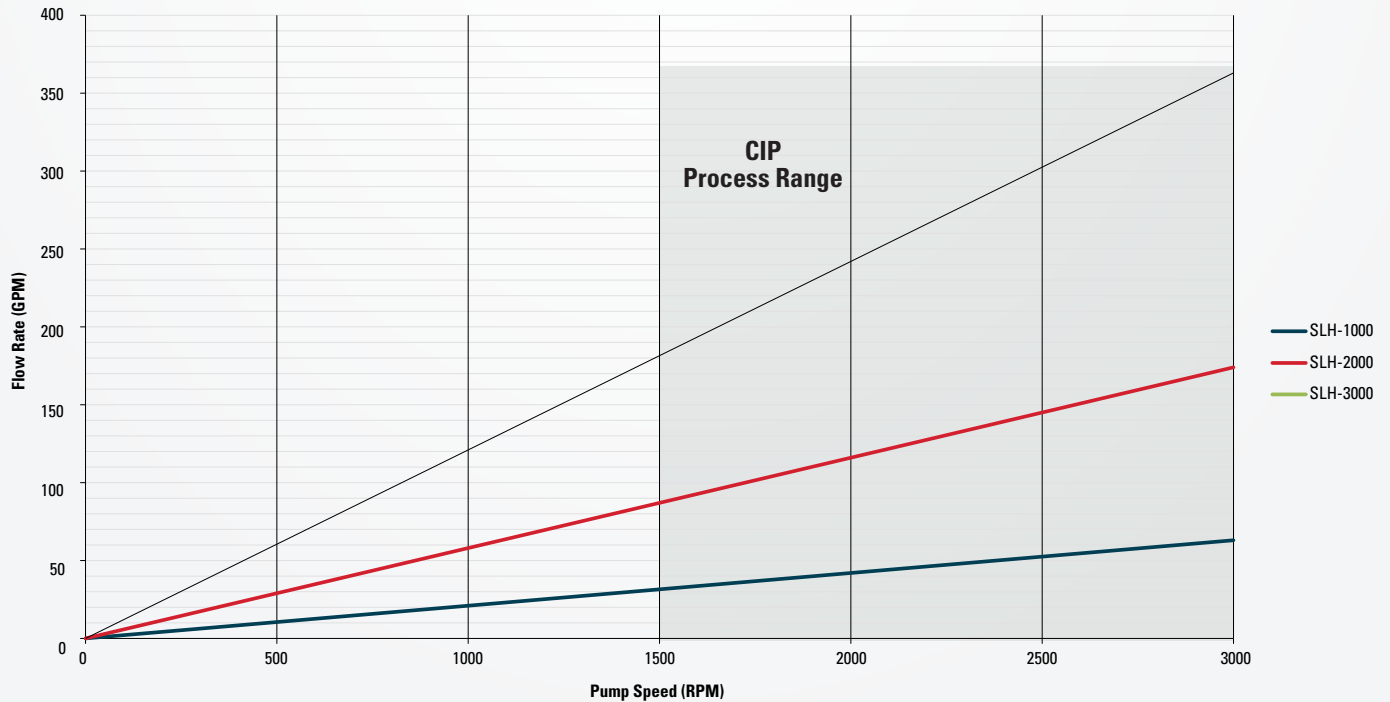
- Single mechanical seal (component) (double seal available)

| Operating Data | Application | Unit | Size | | |
|-----------------------|--------------|-------------------------|-------------|-------------|-------------|
| | | | SLH-4U 1000 | SLH-4U 2000 | SLH-4U 3000 |
| Capacity | Medium | gpm m ³ /h | 35 8 | 110 25 | 220 50 |
| | CIP | | 53 12 | 176 40 | 440 100 |
| Differential Pressure | Medium CIP | psi bar | 232 16 | | |
| Rotation Speed | Medium CIP | RPM | 2500 | | |
| Viscosity | Medium | cp cst | 1,000,000 | | |
| | CIP | | 1 | | |
| Temperature | Medium | °F °C | 302 150 | | |
| | CIP | | 203 95 | | |
| | SIP | | 302 150 | | |



| Model | Size | A (inch / mm) | B (inch / mm) | C (inch / mm) | D (inch / mm) | E (inch / mm) | F (inch / mm) | G (inch / mm) | X | Y | Weight in lbs / kg |
|-------|-------------|------------------|------------------|------------------|------------------|------------------|------------------|------------------|-----------|-----------|--------------------|
| 1000 | DN 50 / 2" | 18.6 468 | 7.0 180 | 9.9 246 | 3.10 96 | 5.7 140 | 1.1 29 | 5.4 132 | Tri-Clamp | Tri-Clamp | 79.5 36 |
| 2000 | DN 65 / 2½" | 23.7 598 | 8.4 208 | 11.2 280 | 4.3 105 | 7.3 180 | 1.5 32 | 5.20 132 | Tri-Clamp | Tri-Clamp | 134.6 61 |
| 3000 | DN 80 / 3" | 27.6 695 | 10.4 258 | 13.8 345 | 4.11 125 | 8.5 210 | 1.8 41 | 6.5 160 | Tri-Clamp | Tri-Clamp | 255.9 116 |

SLH Twin Screw Pump Capacity Curves





2045 W. Mill Road
Glendale, WI 53209
Phone: 800.737.8671
www.amcopumps.com

Gewerbepark West II 7
76863 Herxheim Germany
Phone: +49 7276 5058515
info@amcopumps.de

