

**Reading Technologies, Inc.**  
*Advanced Air System Technology®*



# Why RTi?

Reading Technologies, Inc. has been at the forefront of advanced air system technology since 1986. Our innovations include compressor room desiccant and refrigerated dryers, mainline separators/coalescers, point-of-use dryers, and filter/regulator/lubricator units. Below is an explanation of how RTi uses its patented Inverse-Flow® Technology to give you the best clean, dry air for your needs.

## INVERSE-FLOW® TECHNOLOGY

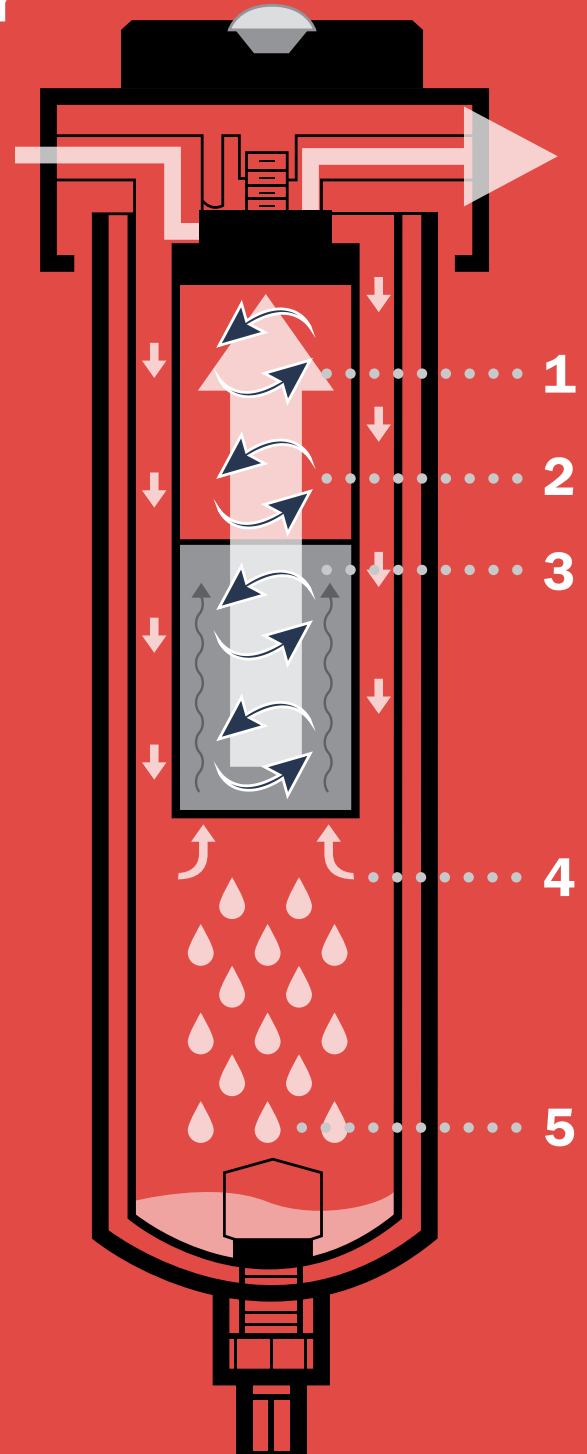
**1 Centrifugal Spinning**  
Water, dirt, and oil contaminants are spun in a downward circular motion through the air. The spinning action forces heavy particles outward, towards the drain.

**2 Final Filter Media**  
Our elements are composed of interwoven cotton, polyester, and stainless steel. The filter captures excess sub-micron water droplets. Cotton holds the water particles and allows them to re-enter the air stream as harmless vapor. *Filtration to 1.0 micron.*

**3 Stainless Steel Element**  
Pre-cleaned air enters a filter media composed of finely interwoven stainless steel mesh wires. The striated surface efficiently holds aerosols and liquid droplets, which then fall into the drain area. *Filtration to 3.0 micron.*

**4 Inverse-Flow®**  
RTi's Inverse-Flow® process creates a condition where the air, spinning in a downward circular motion, changes direction 180° and begins to flow vertically upward. The contaminants are not capable of reversing direction and must separate from the air flow. This process prevents re-entrainment of contamination, which can occur in other filter systems.

**5 Bowl and Drain Options**  
Bowls—metal or polycarbonate with metal guards.  
Drains—automatic float, manual, or electronic.

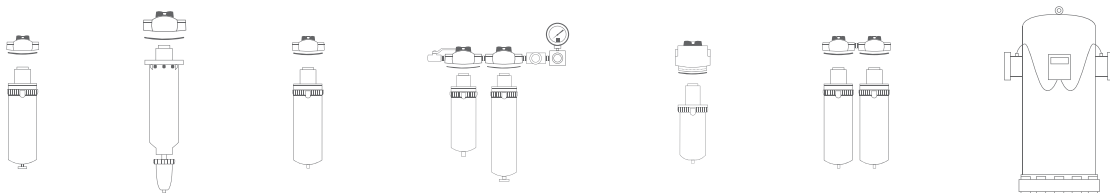


**Efficiency. Productivity. Reliability.**

CA PROPOSITION 65 WARNING  
WARNING: Cancer and  
Reproductive Harm  
[www.P65Warnings.ca.gov/product](http://www.P65Warnings.ca.gov/product)

# Table of Contents

<b>Competitive Analysis</b>	i
<b>Choosing the Right Filter: Overview</b>	ii
<b>Choosing the Right Filter: By Contaminant</b>	iii
<b>Choosing the Right Filter: Compressed Air Quality Standards</b>	iv
<b>Choosing the Right System: Schematics</b>	v
<b>Choosing the Right System: Guide</b>	vi
<b>Industrial Numbering System</b>	vii
<b>Filtration</b>	
Eliminex® High Flow Separator Units	1
Eliminex® High Flow Combo Units	6
Eliminizer® Filter/Dryer Units	11
Eliminizer® Filter/Dryer Combo Units	14
Coalescer Units	17
Coalescer Units (Grade 1)	23
Oil Extractor Units	24
Oil Extractor Combo Units	27
Oil Extractor Combo Units (Grade 1)	30
Food Grade Units	32
316 Stainless Steel Units	38
3-Stage Stainless Steel & Food Grade Units	44
High Pressure Units	45
<b>Dew Point Reduction</b>	
Refrigerated Dryers (Cycling & Non-Cycling)	47
Point-of-Use Desiccant Dryers	48
Regenerative Desiccant Dryers (DRAD)	51
<b>Other Filtration</b>	
Filters, Regulators, Filter/Regulators & Lubricators	52
Filter/Regulators for Natural Gas	53
Mini Regulators & Replacement Gauges	54
Additional Regulators	55
Heavy Duty: Regulators & Lockout Valves	56
Heavy Duty: Filters & Lubricators	57
Compressors: Rotary Screw & Piston	58
Breathing Air Filtration (BRAD)	59
<b>Accessories/Other Products</b>	
Stands & Standard Replacement Drains	60
Additional Drains	61
Brackets, Indicators, Couplers & Plugs	62
Replacement Elements	63
Specialty Products	64
Modular Blue Pipe	66
Quality Air Test Kit	68



### Their 5 micron Nominal 1st stage Pre-filter:

*Single stage pre-filter cartridge*

Nominally rated cartridge removes particles as small as 5 micron. Designed primarily as a particulate filter, it's typically unable to stop slugs of water and oil present in compressed air systems. Also, what the competition fails to mention is that the cartridge will not filter all particles 5 micron and larger. In fact, their nominally rated 5 micron filter is, in reality, a 15 micron absolute rated filter.

**The problem?** 50% of the contaminants in a typical compressed air system, by weight alone, are less than 1 micron in size. This means that if one were to measure the total count of contaminants, 95-99% of the contaminants present in most compressed air systems are less than 1 micron. Therefore, the remaining particles in the 1-50 micron range, called dispersion aerosols, only account for roughly 1-5% of the total contaminants in a compressed air system.

**End result?** Grossly inadequate pre-filtration to the 0.01 micron coalescer.

vs.

### RTi's Advanced 1st stage Separator/Coalescer/Pre-filter:

*Eliminizer®/1st stage*

Our systems use a patented multi-stage separation technology to yield high-efficiency removal of all bulk liquids, while providing absolute (99% and 99.9%) particulate removal on particles 0.9 micron and 1 micron, respectively.

**Advantage?** The Eliminizer® Combo 1st stage removes 99% of the sub-micronic particulates, which will shorten the life of high-efficiency 0.01 micron coalescers.

**End result?** RTi's 1st stage Separator/Coalescer/Pre-filter provides our advanced 2nd stage coalescer with virtually particulate-free air, while removing all water, bulk liquids, and slugs. Therefore, our 0.01 micron coalescer is free to remove only the sub-micronic oil aerosols while maintaining high flow rates and low pressure drops.

---

### Their 0.01 micron Coalescer:

*2nd stage High-Efficiency Coalescer*

Removes 99.99% of DOP aerosols and dirt particles down to 0.01 micron. However, due to inadequate pre-filtration, element life can be shortened considerably. Also, since moisture slugs can by-pass the pre-filter, the 0.01 micron cartridge will experience surges in pressure drop across the element. In addition, conventional 0.01 micron coalescers are not designed to filter slugs of oil and water moisture, and where slugs are present, liquid carryover is very common.

**Media:** Flat-stock, wrapped media around a center core. Process is not conducive to tapered pore structure. The pore structure created by the conventional wrapping technique typically results in increased operating pressure drops and shortened element life.

**Support Core:** "Stainless" steel can oxidize and corrode in moisture.

**Endcaps:** Epoxy bonded to element, potential for particle by-pass.

**Foam Drain Layer:** Conventional polyurethane foams have had problems in the past with degradation from synthetic lubricants. They tend to hold moisture, which can increase the potential for re-entrainment.

vs.

### RTi's Sophisticated 0.01 micron Coalescer:

*Eliminizer®/Combo 2nd stage 0.01 micron Coalescer*

Removes 99.99% of DOP aerosols and 99.9999% of dirt particles down to 0.01 micron.

**Advantage?** You will see particulate and water free air, allowing the cartridge to serve its primary function: to remove all remaining sub-micron oil aerosols without the presence of solid particulates, which can shorten its life.

**End result?** Oil free, water free, dirt free compressed air with long, enhanced element life.

**Media:** Seamless, formed tube with tapered pore structure.

**Advantage?** Allows for true depth loading of particulates and reduces operating pressure drops as much as 20-30%, reducing work load on compressor.

**Support Core:** Scientifically advanced industrial polymeric supports.

**Advantage?** Withstand high differential pressures with no rust or corrosion.

**Endcaps:** Injection-molded engineering grade resin, fusion bonded to media and polymeric support cores.

**Advantage?** Creates integral bond to assure zero particle by-pass between media and endcaps.

**Drain Layer:** Sophisticated polymeric composition creates non-wicking feature.

**Advantage?** Allows coalesced aerosols to drain to bottom of housing without aerosol re-entrainment. Also, RTi's drain layer is highly compatible with synthetic lubricants.

### Eliminex®

*Description:* RTi's patented Inverse-Flow® filter-dryer with all stainless steel mesh filter packing. Excellent water and dirt capture to 3 microns. **ISO Class 3 for Particulate.**

*Port Size Range:* ½" NPT to 6" ASA (150#) Flange

*Flow Range:* 60 SCFM to 5500 SCFM @ 100 PSI

*Applications:* Generally used in main lines and in heavy duty service where heavy water removal is needed. Good for outdoor service where freezing temperatures can be encountered.

### Eliminex® Combo

*Description:* Two (2) stage assembly which combines an Eliminex® separator/filter with a high efficiency coalescer to give superior oil and fine particulate capture, in addition to heavy water removal. 99.99998% efficient at 0.01 micron. **ISO Class 1 for Particulate/Oil.**

*Port Size Range:* ½" NPT to 6" ASA (150#) Flange

*Flow Range:* 60 SCFM to 3000 SCFM @ 100 PSI

*Applications:* Generally used in main lines and in heavy duty service where heavy water, dirt, and oil removal is needed.

### Eliminizer®

*Description:* RTi's patented Inverse-Flow® filter-dryer with two (2) stage filter packing: stainless steel mesh and cotton/polyester. Excellent water and dirt capture to 1 micron. **ISO Class 2 for Particulate.**

*Port Size Range:* ¼" NPT to 1" NPT

*Flow Range:* 20 SCFM to 150 SCFM @ 100 PSI

*Applications:* Generally used at point-of-use and in heavy duty service where heavy water and dirt removal is needed.

### Eliminizer® Combo

*Description:* Two (2) stage assembly which combines an Eliminizer® filter-dryer with a high efficiency coalescer to give superior oil and fine particulate capture, in addition to heavy water removal. 99.99998% efficient at 0.01 micron. **ISO Class 1 for Particulate/Oil.**

*Port Size Range:* ¼" NPT to 1" NPT

*Flow Range:* 20 SCFM to 150 SCFM @ 100 PSI

*Applications:* Generally used at point-of-use and in heavy duty service where heavy water, dirt, and oil removal is needed.

### Coalescer

*Description:* High efficiency coalescer, 99.99998% efficient at 0.01 micron, with anti-re-entrainment layer for low oil carryover. **ISO Class 1 for Particulate/Oil.**

*Port Size Range:* ¼" NPT to 6" ASA (150#) Flange

*Flow Range:* 20 SCFM to 3000 SCFM @ 100 PSI

*Applications:* Generally used in mainlines or at point-of-use, where oil and/or fine particulate capture is required.

### Oil Extractor

*Description:* RTi's patented Inverse-Flow® filter-dryer with four (4) stage filter packing, including an activated carbon packing backed by a cotton/polyester packing. Excellent water, dirt, and oil aerosol capture to 1 micron. **ISO Class 1 for Particulate/Oil.**

*Port Size Range:* ¼" NPT to 1" NPT

*Flow Range:* 60 SCFM to 150 SCFM @ 100 PSI

*Applications:* Generally used at point-of-use and in heavy duty service where heavy water, dirt, and oil removal is needed. Can be used in combination with a coalescer (see below) to get a higher efficiency filtration (to 0.01 micron).

### Oil Extractor Combo

*Description:* Two (2) stage assembly which combines an oil extractor with a high efficiency coalescer to give the best oil and fine particulate capture, in addition to heavy water removal. 99.99998% efficient at 0.01 micron and to 0.003 PPM. **ISO Class 1 for Particulate/Oil.**

*Port Size Range:* ¼" NPT to 1" ASA (150#) Flange

*Flow Range:* 60 SCFM to 150 SCFM @ 100 PSI

*Applications:* Generally used at point-of-use where heavy water, dirt, oil, and oil aerosol removal is needed.

# Determine the right filter

The below chart is organized by contaminant/filtration capacity.

Compressor Room/ Mainline Systems	Filtration/ Dew Point	Contamination				
		Moisture		Particulate (Dirt)	Oil	Odor
		Water	Dew Point Suppression			
Eliminex®	3.0 micron	•		•		
Coalescer	0.01 micron			•	•	
Eliminex® Combo	0.01 micron	•		•	•	
Refrigerated Dryers	38 °F		•			

Point-of-Use Applications	Filtration/ Dew Point	Contamination				
		Moisture		Particulate (Dirt)	Oil	Odor
		Water	Dew Point Suppression			
Eliminizer®	1.0 micron	•		•		
Coalescer	0.01 micron			•	•	
Eliminizer® Combo	0.01 micron	•		•	•	
Oil Extractor Combo	0.01 micron	•		•	•	•
Desiccant Dryers	-40 °F		•			
High Pressure Eliminizer®	1.0 micron	•		•		
High Pressure Coalescer	0.01 micron			•	•	
High Pressure Eliminizer® Combo	0.01 micron	•		•	•	
Food Grade Eliminizer®	1.0 micron	•		•		
Food Grade Coalescer	0.01 micron			•	•	
Food Grade Oil Extractor Combo	0.01 micron	•		•	•	•
Stainless Steel Eliminizer®	1.0 micron	•		•		
Stainless Steel Coalescer	0.01 micron			•	•	
Stainless Steel Oil Extractor Combo	0.01 micron	•		•	•	•

# Compressed Air Quality Standard: ISO 8573.1

We follow air quality standards as defined by ISO -- the International Standards Organization.

These internationally recognized standards for air quality and product design categorize our products into different ISO Classes by contaminant type (water, dirt, oil) and air quality levels.

Class	Solid Particulates (Dirt) (Maximum number of particles per m <sup>3</sup> )			Water Pressure Dew Point (° F)	Oil Solids & Vapor (mg/m <sup>3</sup> )
	0.1-0.5 micron	0.5-1.0 micron	1.0-5.0 micron		
1	100	1	0	-94.0	0.01
2	100,000	1,000	10	-40.0	0.1
3		10,000	500	-4.0	1.0
4			1,000	37.4	5.0

see Product Pages for ISO Classes

## Why should I care about the quality of my compressed air?

Clean, dry air is important—whatever the application may be. In air powered production systems, components are affected by contamination.

## In other words, with clean air...



The cost, energy consumption, and production downtime goes down.

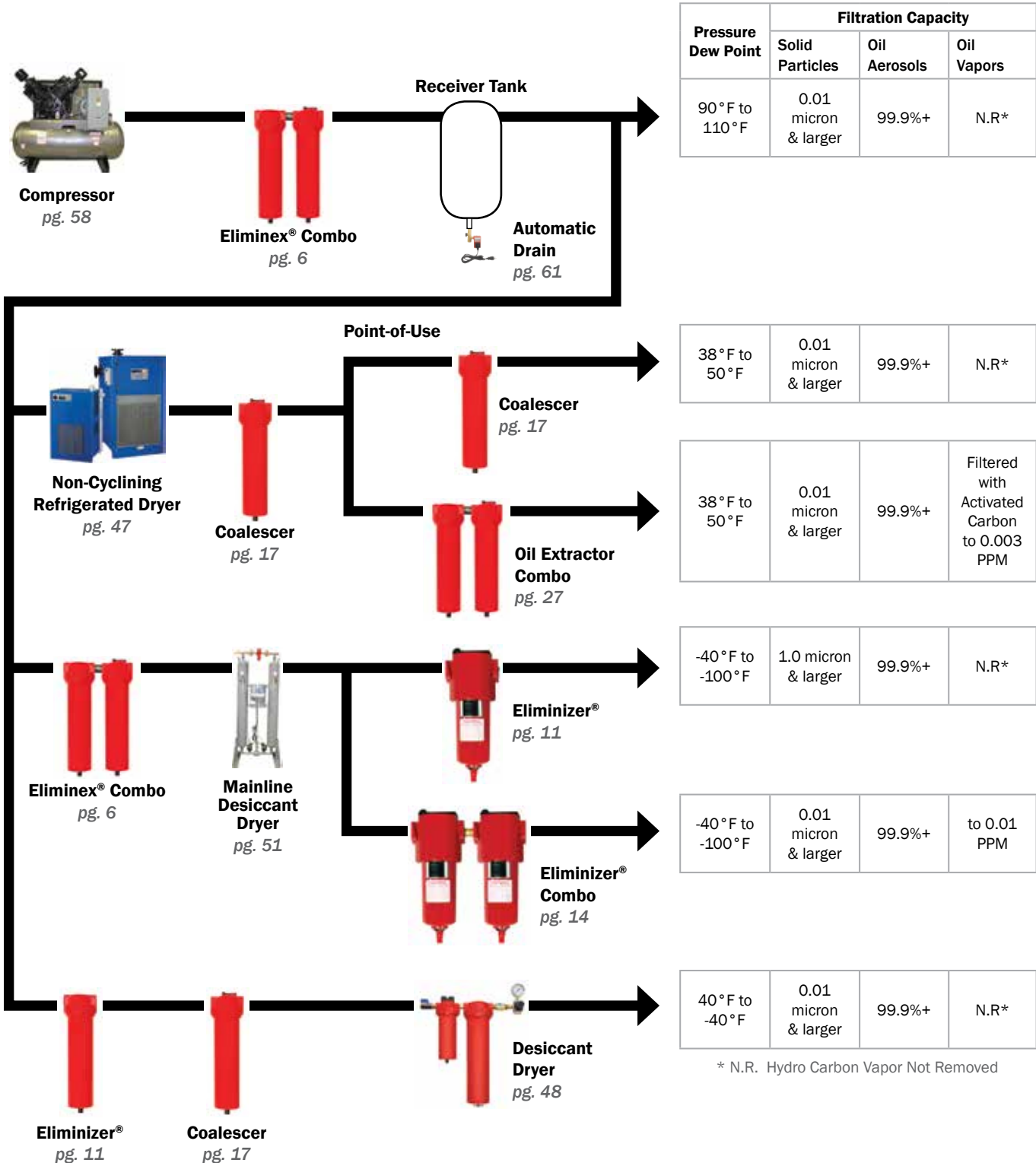


The quality of production and product goes up.

Device	Effects		
	Water (Moisture)	Particulate	Oil
<b>Piping</b>	<ul style="list-style-type: none"> <li>Rust &amp; scale</li> </ul>	<ul style="list-style-type: none"> <li>Component failure</li> </ul>	<ul style="list-style-type: none"> <li>Component failure</li> </ul>
<b>Air Cylinders</b>	<ul style="list-style-type: none"> <li>Reduced component life</li> <li>Lubricant wash-out</li> <li>Component failure</li> </ul>	<ul style="list-style-type: none"> <li>Poor sealing of piston rod</li> <li>Reduced service life</li> </ul>	<ul style="list-style-type: none"> <li>Reduced component life</li> </ul>
<b>Air Valves</b>	<ul style="list-style-type: none"> <li>Sticking spools</li> <li>Coil failure</li> <li>Lubricant wash-out</li> </ul>	<ul style="list-style-type: none"> <li>Seal failure</li> <li>Clogged mufflers</li> </ul>	<ul style="list-style-type: none"> <li>Reduced component life</li> <li>Swollen seals</li> <li>Valve failure</li> </ul>
<b>Pneumatic Positioners</b>	<ul style="list-style-type: none"> <li>IP &amp; EP failure</li> <li>Valve failure</li> <li>Positioning problems</li> </ul>	<ul style="list-style-type: none"> <li>Clogged orifices</li> <li>Equipment malfunction</li> </ul>	<ul style="list-style-type: none"> <li>Seal failure</li> </ul>
<b>Spraying Equipment</b>	<ul style="list-style-type: none"> <li>Poor curing</li> <li>Loss of gloss</li> <li>Poor color match</li> </ul>	<ul style="list-style-type: none"> <li>Increased cutting &amp; buffing</li> </ul>	<ul style="list-style-type: none"> <li>Fish eyes</li> <li>Poor quality finish</li> </ul>
<b>Air Tools</b>	<ul style="list-style-type: none"> <li>Internal corrosion</li> <li>Lubricant wash-out</li> </ul>	<ul style="list-style-type: none"> <li>Internal wear</li> <li>Seal failure</li> </ul>	<ul style="list-style-type: none"> <li>Swollen seals</li> </ul>
<b>Air Motors Air Bearings</b>	<ul style="list-style-type: none"> <li>Catastrophic failure</li> <li>Reduced efficiency</li> </ul>	<ul style="list-style-type: none"> <li>Clogged orifices</li> <li>Reduced efficiency</li> </ul>	<ul style="list-style-type: none"> <li>Inaccurate measurements</li> <li>Instrumentation error</li> </ul>
<b>Laser Cutters Plasma Cutters</b>	<ul style="list-style-type: none"> <li>Tip failure</li> <li>Poor surface finish</li> </ul>	<ul style="list-style-type: none"> <li>Clogged orifices</li> </ul>	<ul style="list-style-type: none"> <li>Tip failure</li> <li>Mirror coating</li> </ul>

# Which system is right for you?

Compressed air systems can be designed to meet customer requirements. RTi can assist in your specification process to determine the most cost-effective, practical design for your individual applications. Be sure to view the corresponding page numbers for more information on these products.



\* N.R. Hydro Carbon Vapor Not Removed



# Understanding the Product Pages

Product title.

60 SCFM Eliminox®

## Specifications

<b>Port Sizes</b>	¼", ⅜", ½"
<b>Thread Styles</b>	NPT, BSPT, BSPP
<b>Flow Capacity</b>	60 SCFM @ 100 PSI
<b>Filter Capacity</b>	3.0 micron & larger
<b>Differential Pressure</b>	< 1.5 PSID at rated flow
<b>Max. Temp./Pressure (Aluminum Bowl)</b>	175°F/200 PSIG
<b>Max. Temp./Pressure (Polycarbonate Bowl)</b>	125°F/150 PSIG
<b>Approx. Weight (lb.)</b>	3.5
<b>ISO Class</b>	3 Particulate

For higher pressure applications, consult factory. Units equipped with differential pressure indicator have max. temperature and pressure of 125°F and 150 PSIG, regardless of bowl material.



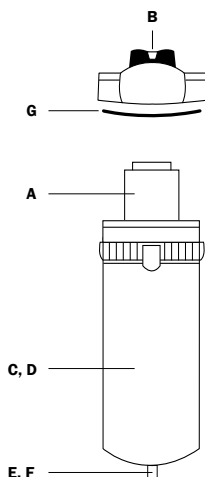
**Water**  
**Dirt**  
**Oil**  
**Oil Vapor**  
**Odor**

Items in **bold** indicate contaminants that are filtered by the unit.

Specifications: Easily look at important specifications that will help you decide on the correct unit.

## Replacement Parts & Accessories

Description	Part Number
<b>A</b> Replacement Element	1P-060
<b>B</b> Differential Pressure Indicator	N32-W1-DPI
<b>B</b> Blanking Cap (Cover for units without indicator)	N32-95-020
<b>C</b> Bowl Assembly: Metal Bowl, Manual Petcock Drain, O-ring	N34-95-205
<b>C</b> Bowl Assembly: Metal Bowl, Automatic Float Drain, O-ring	N34-95-201
<b>D</b> Bowl Assembly: Poly Bowl, Manual Petcock Drain, O-ring*	N32-15-163
<b>D</b> Bowl Assembly: Poly Bowl, Automatic Float Drain, O-ring*	N32-15-165
<b>E</b> Manual Petcock Drain	PC-02/PC-03
<b>F</b> Automatic Float Drain (Metal Bowl)	N32-95-979
<b>F</b> Automatic Float Drain (Poly Bowl)	N32-95-973
<b>G</b> Bowl O-ring	N32-95-257
Mounting Bracket (Optional)	BK-1



Replacement Parts & Accessories: Letters on the parts breakdown correspond to the adjacent chart for easy reference.

## Order Guide

Drain Type	Port Size	Model Number		Dimensions (in.)			
		Metal Bowl	Poly Bowl	Height**		Width	Depth
				Metal	Poly		
Manual	¼"	1P-060-M02-P	1P-060-P02-P	10.0	10.0	3.9	3.9
	⅜"	1P-060-M03-P	1P-060-P03-P	10.0	10.0	3.9	3.9
	½"	1P-060-M04-P	1P-060-P04-P	10.0	10.0	3.9	3.9
Automatic	¼"	1P-060-M02-F	1P-060-P02-F	10.0	10.5	3.9	3.9
	⅜"	1P-060-M03-F	1P-060-P03-F	10.0	10.5	3.9	3.9
	½"	1P-060-M04-F	1P-060-P04-F	10.0	10.5	3.9	3.9

\*Poly bowls come with metal bowl guard  
\*\*To add an indicator, add "I" to end of model number (Indicator adds about 1" to height)

Order Guide: Choose the right model for your application and narrow down your choices by: port size, bowl material (metal/polycarbonate), drain style, or flow capacity (SCFM). Dimensions are also included.

**RTI** (800) 521-9200  
Catalog PDF available at [www.driair.com](http://www.driair.com)

RTI Industrial Catalog 1

Can't find the information you need? Call or visit our website for download-able PDFs & literature on our products. Literature sheets can be found under *Downloads, Product Sheets*. On RTi's website, you can also find Technical Drawings (under *Downloads, Technical Drawings*). These are SolidWorks files, as well as PDFs, that are all available for download.

In addition to all the products listed in this catalog, RTi manufactures so much more! Call your rep or our factory today for more information on Oxygen cleaned units, Epoxy coatings, gas filtration/regulation, and OEM products.

Don't ignore the fine print! It lets you know about additional models, parts, optional items, and recommended specifications for certain products.

**1 Year Warranty | (800) 521-9200**

# Industrial Numbering System

Below is a guide to understanding the model numbers of product lines found on the following pages.

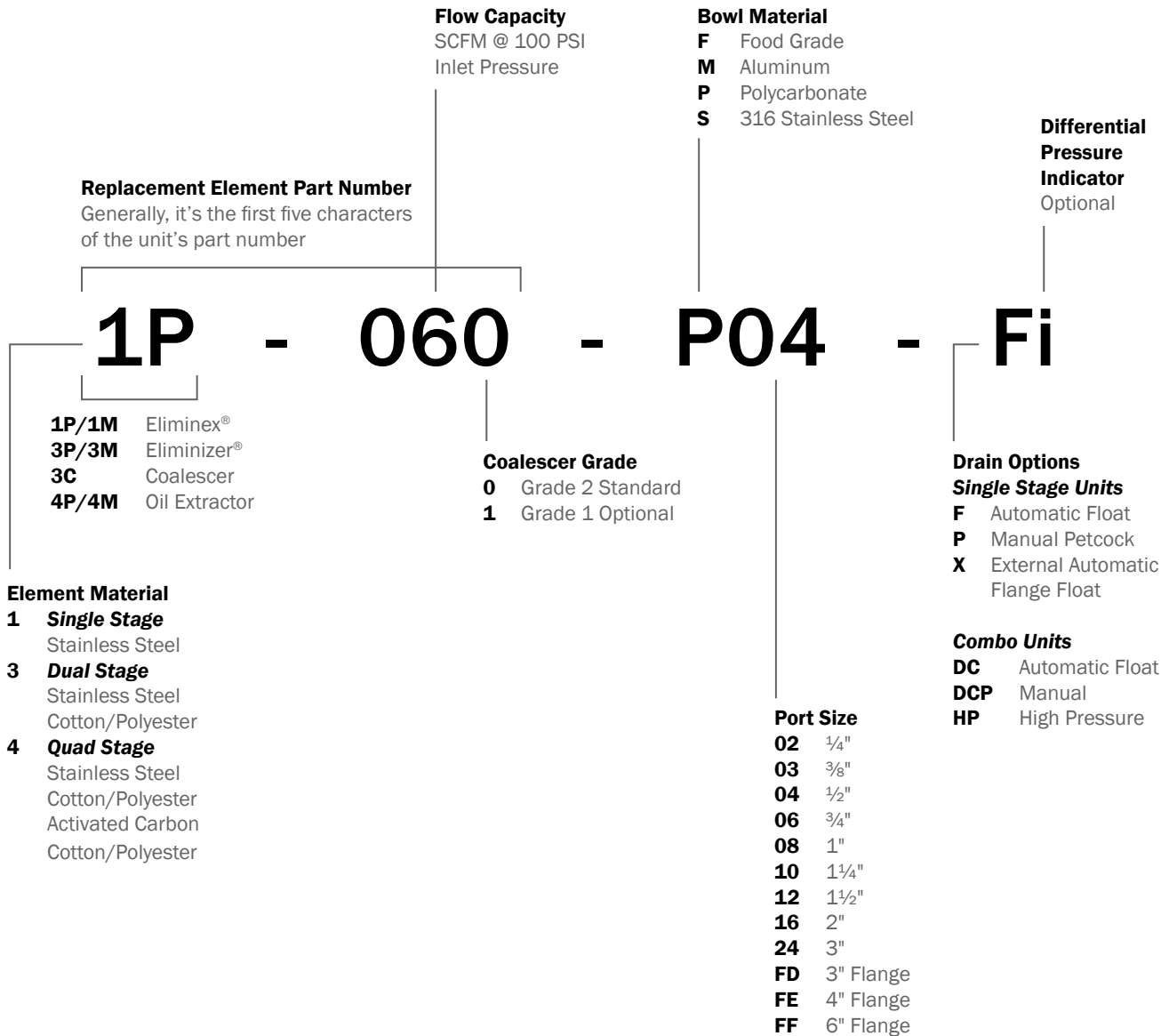
The below example would be:

Eliminex® unit, 60 SCFM @ 100 PSI

Polycarbonate bowl, 1/2" port size

Automatic float drain with differential pressure indicator

Replacement element: 1P-060



# Specifications

<b>Port Sizes</b>	1/4", 3/8", 1/2"
<b>Thread Styles</b>	NPT, BSPT, BSPP
<b>Flow Capacity</b>	60 SCFM @ 100 PSI
<b>Filter Capacity</b>	3.0 micron & larger
<b>Differential Pressure</b>	< 1.5 PSID at rated flow
<b>Max. Temp./Pressure (Aluminum Bowl)</b>	175 °F/200 PSIG
<b>Max. Temp./Pressure (Polycarbonate Bowl)</b>	125 °F/150 PSIG
<b>Approx. Weight (lb.)</b>	3.5
<b>ISO Class</b>	3 Particulate

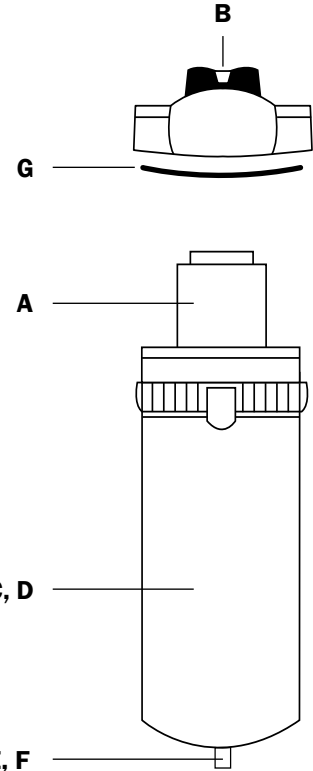
For higher pressure applications, consult factory. Units equipped with differential pressure indicator have max. temperature and pressure of 125 °F and 150 PSIG, regardless of bowl material.



**Water**  
**Dirt**  
**Oil**  
**Oil Vapor**  
**Odor**

# Replacement Parts & Accessories

Description	Part Number
<b>A</b> Replacement Element	1P-060
<b>B</b> Differential Pressure Indicator	N32-W1-DPi
<b>B</b> Blanking Cap (Cover for units without indicator)	N32-95-020
<b>C</b> Bowl Assembly: Metal Bowl, Manual Petcock Drain, O-ring	N34-95-205
<b>C</b> Bowl Assembly: Metal Bowl, Automatic Float Drain, O-ring	N34-95-201
<b>D</b> Bowl Assembly: Poly Bowl, Manual Petcock Drain, O-ring*	N32-15-163
<b>D</b> Bowl Assembly: Poly Bowl, Automatic Float Drain, O-ring*	N32-15-165
<b>E</b> Manual Petcock Drain	PC-02/PC-03
<b>F</b> Automatic Float Drain (Metal Bowl)	N32-95-979
<b>F</b> Automatic Float Drain (Poly Bowl)	N32-95-973
<b>G</b> Bowl O-ring	N32-95-257
Mounting Bracket (Optional)	BK-1



# Order Guide

Drain Type	Port Size	Model Number		Dimensions (in.)			
		Metal Bowl	Poly Bowl	Height**		Width	Depth
				Metal	Poly		
Manual	1/4"	1P-060-M02-P	1P-060-P02-P	10.0	10.0	3.9	3.9
	3/8"	1P-060-M03-P	1P-060-P03-P	10.0	10.0	3.9	3.9
	1/2"	1P-060-M04-P	1P-060-P04-P	10.0	10.0	3.9	3.9
Automatic	1/4"	1P-060-M02-F	1P-060-P02-F	10.0	10.5	3.9	3.9
	3/8"	1P-060-M03-F	1P-060-P03-F	10.0	10.5	3.9	3.9
	1/2"	1P-060-M04-F	1P-060-P04-F	10.0	10.5	3.9	3.9

\*Poly bowls come with metal bowl guard

\*\*To add an indicator, add "i" to end of model number (Indicator adds about 1" to height)

# Specifications

<b>Port Sizes</b>	1/2", 3/4", 1"
<b>Thread Styles</b>	NPT, BSPT, BSPP
<b>Flow Capacity</b>	120/175/250 SCFM @ 100 PSI
<b>Filter Capacity</b>	3.0 micron & larger
<b>Differential Pressure</b>	< 1.5 PSID at rated flow
<b>Max. Temp./Pressure (Aluminum Bowl)</b>	175 °F/200 PSIG
<b>Max. Temp./Pressure (Polycarbonate Bowl)</b>	125 °F/150 PSIG
<b>Approx. Weight (lb.)</b>	6.0
<b>ISO Class</b>	3 Particulate

For higher pressure applications, consult factory. Units equipped with differential pressure indicator have max. temperature and pressure of 125 °F and 150 PSIG, regardless of bowl material.

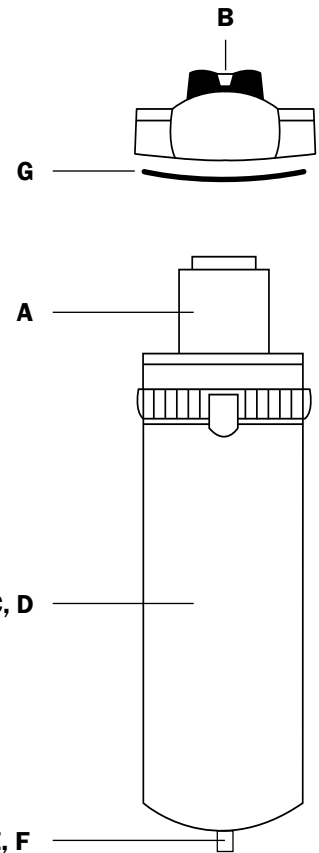


**Water**  
**Dirt**  
**Oil**  
**Oil Vapor**  
**Odor**

Drain Type	Dimensions (in.)			
	Height**		Width	Depth
	Metal	Poly		
<b>Manual</b>	17.0	14.0	4.6	4.8
<b>Auto</b>	17.0	14.5	4.6	4.8

# Replacement Parts & Accessories

Description	Part Number
<b>A</b> Replacement Element	1P-120/1P-175/1P-250
<b>B</b> Differential Pressure Indicator	N32-W1-DPI
<b>B</b> Blanking Cap (Cover for units without indicator)	N32-95-020
<b>C</b> Bowl Assembly: Metal Bowl, Manual Petcock Drain, O-ring	N34-15-180
<b>C</b> Bowl Assembly: Metal Bowl, Automatic Float Drain, O-ring	N34-15-178
<b>D</b> Bowl Assembly: Poly Bowl, Manual Petcock Drain, O-ring*	N32-15-167
<b>D</b> Bowl Assembly: Poly Bowl, Automatic Float Drain, O-ring*	N32-15-035
<b>E</b> Manual Petcock Drain	PC-03
<b>F</b> Automatic Float Drain (Metal Bowl)	N32-95-979
<b>F</b> Automatic Float Drain (Poly Bowl)	N32-95-973
<b>G</b> Bowl O-ring	N32-95-256
Mounting Bracket (Optional)	N32-95-734



# Order Guide

Drain Type	Port Size	Model Number					
		Metal Bowl			Poly Bowl		
		Low Flow	Med Flow	High Flow	Low Flow	Med Flow	High Flow
<b>Manual</b>	1/2"	1P-120-M04-P	1P-175-M04-P	1P-250-M04-P	1P-120-P04-P	1P-175-P04-P	1P-250-P04-P
	3/4"	1P-120-M06-P	1P-175-M06-P	1P-250-M06-P	1P-120-P06-P	1P-175-P06-P	1P-250-P06-P
	1"	1P-120-M08-P	1P-175-M08-P	1P-250-M08-P	1P-120-P08-P	1P-175-P08-P	1P-250-P08-P
<b>Automatic</b>	1/2"	1P-120-M04-F	1P-175-M04-F	1P-250-M04-F	1P-120-P04-F	1P-175-P04-F	1P-250-P04-F
	3/4"	1P-120-M06-F	1P-175-M06-F	1P-250-M06-F	1P-120-P06-F	1P-175-P06-F	1P-250-P06-F
	1"	1P-120-M08-F	1P-175-M08-F	1P-250-M08-F	1P-120-P08-F	1P-175-P08-F	1P-250-P08-F

\*Poly bowls come with metal bowl guard

\*\*To add an indicator, add "I" to end of model number (Indicator adds about 1" to height)

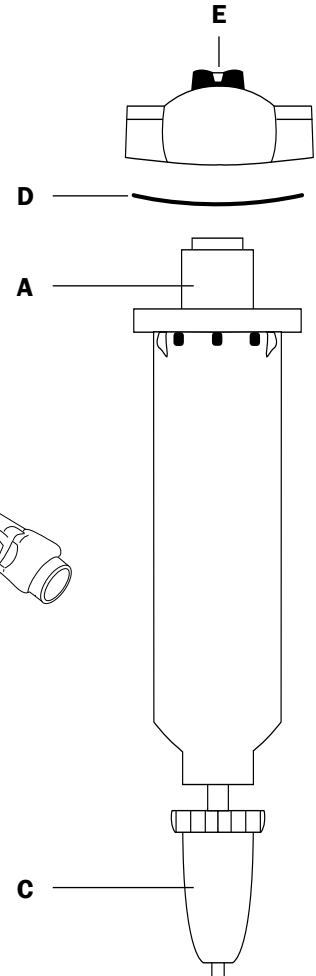
# Specifications

<b>Port Sizes</b>	1¼", 1½", 2"
<b>Thread Styles</b>	NPT, BSPT, BSPP
<b>Flow Capacity</b>	300/400/700 SCFM @ 100 PSI
<b>Filter Capacity</b>	3.0 micron & larger
<b>Differential Pressure</b>	< 1.5 PSID at rated flow
<b>Max. Temp./Pressure (Aluminum Bowl)</b>	175 °F/200 PSIG
<b>Approx. Weight (lb.)</b>	30.0
<b>ISO Class</b>	3 Particulate

For higher pressure applications, consult factory. Units equipped with differential pressure indicator have max. temperature and pressure of 125 °F and 150 PSIG, regardless of bowl material.

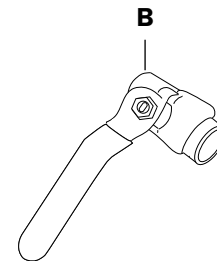


**Water**  
**Dirt**  
**Oil**  
**Oil Vapor**  
**Odor**



# Replacement Parts & Accessories

Description	Part Number
<b>A</b> Replacement Element	1M-300/1M-400/1M-700
<b>B</b> Manual Drain, Ball Valve	BV-051
<b>C</b> External Automatic Float Drain	N32-95-XD8
<b>D</b> Bowl O-ring	N32-F35-OR
<b>E</b> Differential Pressure Indicator (Optional)	N32-W1-DPI



# Order Guide

Drain Type	Port Size	Model Number			Dimensions (in.)		
		Low Flow	Med Flow	High Flow	Height*	Width	Depth
Manual	1¼"	1M-300-M10-P	1M-400-M10-P	1M-700-M10-P	29.4	7.8	7.8
	1½"	1M-300-M12-P	1M-400-M12-P	1M-700-M12-P	29.4	7.8	7.8
	2"	1M-300-M16-P	1M-400-M16-P	1M-700-M16-P	29.4	7.8	7.8
External Automatic	1¼"	1M-300-M10-F	1M-400-M10-F	1M-700-M10-F	32.0	7.8	7.8
	1½"	1M-300-M12-F	1M-400-M12-F	1M-700-M12-F	32.0	7.8	7.8
	2"	1M-300-M16-F	1M-400-M16-F	1M-700-M16-F	32.0	7.8	7.8

\*To add an indicator, add "i" to end of model number (Indicator adds about 1" to height)

# Specifications

<b>Port Sizes</b>	3"
<b>Thread Styles</b>	NPT
<b>Flow Capacity</b>	1200 SCFM @ 100 PSI
<b>Filter Capacity</b>	3.0 micron & larger
<b>Differential Pressure</b>	< 1.5 PSID at rated flow
<b>Max. Temp./Pressure (Aluminum Bowl)</b>	175 °F/200 PSIG (Manual drain) 175 °F/150 PSIG (Float drain)
<b>Approx. Weight (lb.)</b>	38.0
<b>ISO Class</b>	3 Particulate

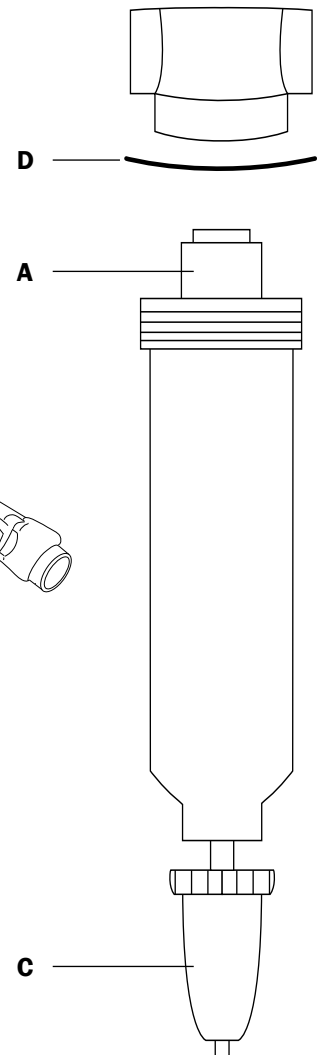
**Water**  
**Dirt**  
**Oil**  
**Oil Vapor**  
**Odor**



For higher pressure units, consult factory.

# Replacement Parts & Accessories

Description	Part Number
<b>A</b> Replacement Element	1M-1200
<b>B</b> Manual Drain, Ball Valve	BV-051
<b>C</b> External Automatic Float Drain	N32-95-XD8
<b>D</b> Bowl O-ring	PHC-032



# Order Guide

Drain Type	Port Size	Model Number	Dimensions (in.)		
			Height	Width	Depth
Manual	3"	1M-1200-M24-P	40.0	8.0	7.3
External Automatic	3"	1M-1200-M24-F	44.0	8.0	7.3

# Specifications

<b>Port Sizes</b>	3", 4", 6" RFSO
<b>Connection</b>	Raised Face 150# Flange
<b>Flow Capacity</b>	2500/5500 SCFM @ 100 PSI
<b>Filter Capacity</b>	3.0 micron & larger
<b>Differential Pressure</b>	< 1.5 PSID at rated flow
<b>Max. Temp./Pressure (Epoxy Coated Carbon Steel)</b>	150 °F/200 PSIG
<b>Approx. Weight (lb.)</b>	300.0/310.0/450.0
<b>ISO Class</b>	3 Particulate

For higher pressure applications, consult factory. Units equipped with differential pressure indicator have max. temperature and pressure of 150 °F and 150 PSIG, regardless of bowl material.

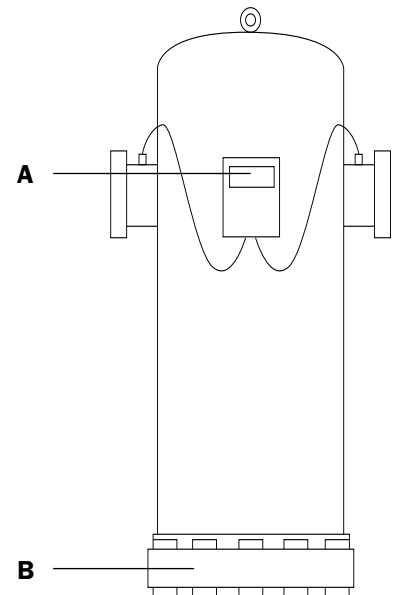


**Water**  
**Dirt**  
**Oil**  
**Oil Vapor**  
**Odor**

# Replacement Parts & Accessories

Description	Part Number
<b>A</b> Differential Pressure Indicator	N32-P2-DPi
<b>B</b> External Automatic Float Drain	N32-95-XD8
Manual Drain, Ball Valve	BV-051
Replacement Element	1X-2500/1X-5500

Note:  
All 1M-2500 units require a minimum of 25" clearance between bottom of housing and floor for installation.  
All 1M-5500 units require a minimum of 36" clearance between bottom of housing and floor for installation.



# Order Guide

Drain Type	Port Size	Model Number (ASME Vessel)	Dimensions (in.)		
			Height	Width	Depth
Manual	3"	1M-2500-MFD-P	50.2	20.0	16.0
	4"	1M-2500-MFE-P	50.2	20.0	16.0
	6"	1M-5500-MFF-P	68.0	23.4	19.0
External Automatic	3"	1M-2500-MFD-X	54.2	20.0	16.0
	4"	1M-2500-MFE-X	54.2	20.0	16.0
	6"	1M-5500-MFF-X	72.0	23.4	19.0

Indicator included as standard with metal bowl units.

# Specifications

<b>Port Sizes</b>	1/4", 3/8", 1/2"
<b>Thread Styles</b>	NPT, BSPT, BSPP
<b>Flow Capacity</b>	60 SCFM @ 100 PSI
<b>Filter Capacity</b>	0.01 micron & larger
<b>Differential Pressure</b>	< 2.5 PSID at rated flow
<b>Max. Temp./Pressure (Aluminum Bowl)</b>	175 °F/200 PSIG
<b>Max. Temp./Pressure (Polycarbonate Bowl)</b>	125 °F/150 PSIG
<b>Approx. Weight (lb.)</b>	7.0
<b>ISO Class</b>	1 Particulate/Oil

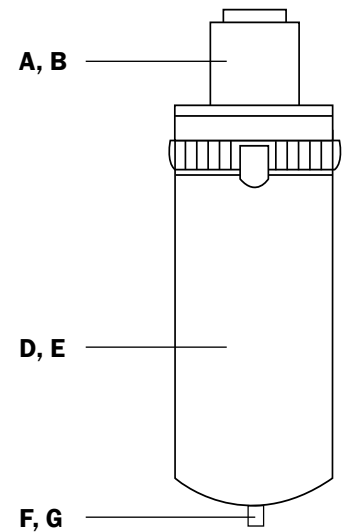
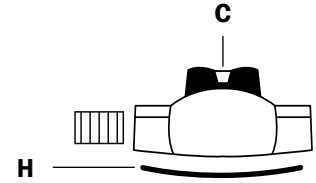
For higher pressure applications, consult factory. Units equipped with differential pressure indicator have max. temperature and pressure of 125 °F and 150 PSIG, regardless of bowl material.



**Water**  
**Dirt**  
**Oil**  
**Oil Vapor**  
**Odor**

# Replacement Parts & Accessories

Description	Part Number
<b>A</b> Replacement Element, 1st Stage	1P-060
<b>B</b> Replacement Element, 2nd Stage	3C-060
<b>C</b> Differential Pressure Indicator	N32-W1-DPi
<b>C</b> Blanking Cap (Cover for units without indicator)	N32-95-020
<b>D</b> Bowl Assembly: Metal Bowl, Manual Petcock Drain, O-ring	N34-95-205
<b>D</b> Bowl Assembly: Metal Bowl, Automatic Float Drain, O-ring	N34-95-201
<b>E</b> Bowl Assembly: Poly Bowl, Manual Petcock Drain, O-ring*	N32-15-163
<b>E</b> Bowl Assembly: Poly Bowl, Automatic Float Drain, O-ring*	N32-15-165
<b>F</b> Manual Petcock Drain	PC-02
<b>G</b> Automatic Float Drain (Metal Bowl)	N32-95-979
<b>G</b> Automatic Float Drain (Poly Bowl)	N32-95-973
<b>H</b> Bowl O-ring	N32-95-257
Mounting Bracket (Optional)	BK-1



# Order Guide

Drain Type	Port Size	Model Number		Dimensions (in.)			
		Metal Bowl	Poly Bowl	Height**		Width	Depth
				Metal	Poly		
Manual	1/4"	1P-060-M02-DCP	1P-060-P02-DCP	10.0	10.0	8.0	3.9
	3/8"	1P-060-M03-DCP	1P-060-P03-DCP	10.0	10.0	8.0	3.9
	1/2"	1P-060-M04-DCP	1P-060-P04-DCP	10.0	10.0	8.0	3.9
Automatic	1/4"	1P-060-M02-DC	1P-060-P02-DC	10.0	10.5	8.0	3.9
	3/8"	1P-060-M03-DC	1P-060-P03-DC	10.0	10.5	8.0	3.9
	1/2"	1P-060-M04-DC	1P-060-P04-DC	10.0	10.5	8.0	3.9

\*Poly bowls come with metal bowl guard

\*\*To add an indicator, add "i" to end of model number (Indicator adds about 1" to height)



# Specifications

<b>Port Sizes</b>	1/2", 3/4", 1"
<b>Thread Styles</b>	NPT, BSPT, BSPP
<b>Flow Capacity</b>	90/150/250 SCFM @ 100 PSI
<b>Filter Capacity</b>	0.01 micron & larger
<b>Differential Pressure</b>	< 2.5 PSID at rated flow
<b>Max. Temp./Pressure (Aluminum Bowl)</b>	175 °F/200 PSIG
<b>Max. Temp./Pressure (Polycarbonate Bowl)</b>	125 °F/150 PSIG
<b>Approx. Weight (lb.)</b>	12.0
<b>ISO Class</b>	1 Particulate/Oil



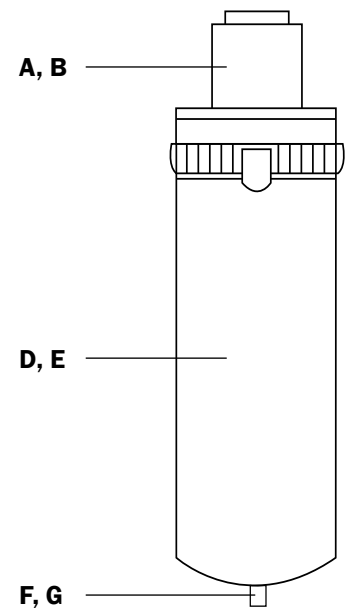
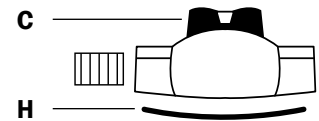
**Water**  
**Dirt**  
**Oil**  
**Oil Vapor**  
**Odor**

For higher pressure applications, consult factory. Units equipped with differential pressure indicator have max. temperature and pressure of 125 °F and 150 PSIG, regardless of bowl material.

Drain Type	Dimensions (in.)			
	Height**		Width	Depth
	Metal	Poly		
<b>Manual</b>	17.0	14.0	10.0	4.6
<b>Auto</b>	17.0	14.5	10.0	4.6

# Replacement Parts & Accessories

Description	Part Number
<b>A</b> Replacement Element, 1st Stage	1P-090/1P-150/1P-250
<b>B</b> Replacement Element, 2nd Stage	3C-090/3C-150/3C-250
<b>C</b> Differential Pressure Indicator	N32-W1-DPi
<b>C</b> Blanking Cap (Cover for units without indicator)	N32-95-020
<b>D</b> Bowl Assembly: Metal Bowl, Manual Petcock Drain, O-ring	N34-15-180
<b>D</b> Bowl Assembly: Metal Bowl, Automatic Float Drain, O-ring	N34-15-178
<b>E</b> Bowl Assembly: Poly Bowl, Manual Petcock Drain, O-ring*	N32-15-167
<b>E</b> Bowl Assembly: Poly Bowl, Automatic Float Drain, O-ring*	N32-15-035
<b>F</b> Manual Petcock Drain (Metal Bowl)	PC-03
<b>F</b> Manual Petcock Drain (Poly Bowl)	N32-95-182
<b>G</b> Automatic Float Drain (Metal Bowl)	N32-95-979
<b>G</b> Automatic Float Drain (Poly Bowl)	N32-95-973
<b>H</b> Bowl O-ring	N32-95-256
Mounting Bracket (Optional)	N32-95-734



# Order Guide

Drain Type	Port Size	Model Number				
		Metal Bowl			Poly Bowl	
		Low Flow	Med Flow	High Flow	Low Flow	Med Flow
<b>Manual</b>	1/2"	1P-090-M04-DCP	1P-150-M04-DCP	1P-250-M04-DCP	1P-090-P04-DCP	1P-150-P04-DCP
	3/4"	1P-090-M06-DCP	1P-150-M06-DCP	1P-250-M06-DCP	1P-090-P06-DCP	1P-150-P06-DCP
	1"	1P-090-M08-DCP	1P-150-M08-DCP	1P-250-M08-DCP	1P-090-P08-DCP	1P-150-P08-DCP
<b>Automatic</b>	1/2"	1P-090-M04-DC	1P-150-M04-DC	1P-250-M04-DC	1P-090-P04-DC	1P-150-P04-DC
	3/4"	1P-090-M06-DC	1P-150-M06-DC	1P-250-M06-DC	1P-090-P06-DC	1P-150-P06-DC
	1"	1P-090-M08-DC	1P-150-M08-DC	1P-250-M08-DC	1P-090-P08-DC	1P-150-P08-DC

\*Poly bowls come with metal bowl guard

\*\*To add an indicator, add "I" to end of model number (Indicator adds about 1" to height)

# Specifications

<b>Port Sizes</b>	1¼", 1½", 2"
<b>Thread Styles</b>	NPT, BSPT, BSPP
<b>Flow Capacity</b>	300/400/700 SCFM @ 100 PSI
<b>Filter Capacity</b>	0.01 micron & larger
<b>Differential Pressure</b>	< 2.5 PSID at rated flow
<b>Max. Temp./Pressure (Aluminum Bowl)</b>	175 °F/200 PSIG
<b>Approx. Weight (lb.)</b>	58.0/60.0/64.0
<b>ISO Class</b>	1 Particulate/Oil

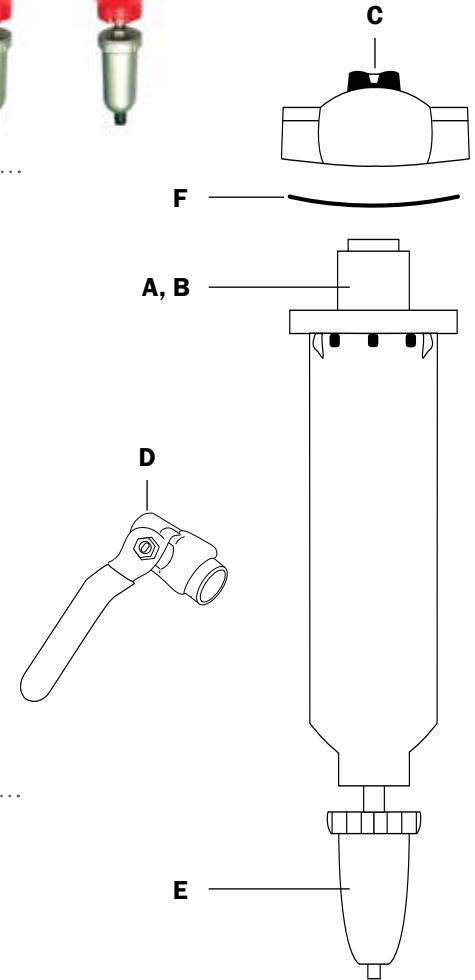
For higher pressure applications, consult factory. Units equipped with differential pressure indicator have max. temperature and pressure of 125 °F and 150 PSIG, regardless of bowl material.



**Water**  
**Dirt**  
**Oil**  
**Oil Vapor**  
**Odor**

# Replacement Parts & Accessories

Description	Part Number
<b>A</b> Replacement Element, 1st Stage	1M-300/1M-400/1M-700
<b>B</b> Replacement Element, 2nd Stage	3C-300/3C-400/3C-700
<b>C</b> Differential Pressure Indicator	N32-W1-DPi
<b>C</b> Blanking Cap (Cover for units without indicator)	N32-95-020
<b>D</b> Manual Drain, Ball Valve	BV-051
<b>E</b> External Automatic Float Drain	N32-95-XD8
<b>F</b> Bowl O-ring	N32-F35-OR



# Order Guide

Drain Type	Port Size	Model Number			Dimensions (in.)		
		Low Flow	Med Flow	High Flow	Height*	Width	Depth
Manual	1¼"	1M-300-M10-DCP	1M-400-M10-DCP	1M-700-M10-DCP	28.0	16.5	7.8
	1½"	1M-300-M12-DCP	1M-400-M12-DCP	1M-700-M12-DCP	28.0	16.8	7.8
	2"	1M-300-M16-DCP	1M-400-M16-DCP	1M-700-M16-DCP	28.0	17.0	7.8
External Automatic	1¼"	1M-300-M10-DC	1M-400-M10-DC	1M-700-M10-DC	32.0	16.5	7.8
	1½"	1M-300-M12-DC	1M-400-M12-DC	1M-700-M12-DC	32.0	16.8	7.8
	2"	1M-300-M16-DC	1M-400-M16-DC	1M-700-M16-DC	32.0	17.0	7.8

\*To add an indicator, add "i" to end of model number (Indicator adds about 1" to height)

# Specifications

<b>Port Sizes</b>	3"
<b>Thread Styles</b>	NPT
<b>Flow Capacity</b>	1200 SCFM @ 100 PSI
<b>Filter Capacity</b>	0.01 micron & larger
<b>Differential Pressure</b>	< 2.5 PSID at rated flow
<b>Max. Temp./Pressure (Aluminum Bowl)</b>	175 °F/200 PSIG (Manual drain) 175 °F/150 PSIG (Float drain)
<b>Approx. Weight (lb.)</b>	76.0
<b>ISO Class</b>	1 Particulate/Oil

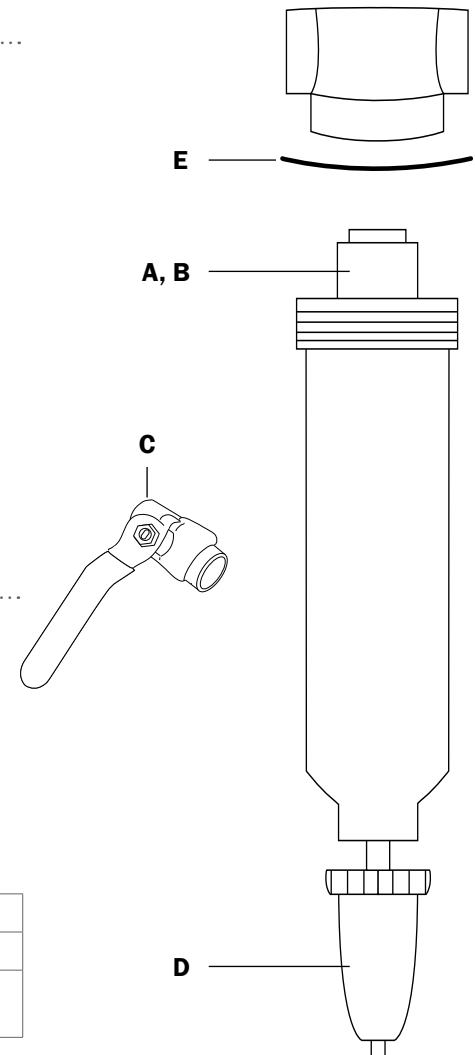


**Water**  
**Dirt**  
**Oil**  
**Oil Vapor**  
**Odor**

For higher pressure units, consult factory.

# Replacement Parts & Accessories

Description	Part Number
<b>A</b> Replacement Element, 1st Stage	1M-1200
<b>B</b> Replacement Element, 2nd Stage	3C-1200
<b>C</b> Manual Drain, Ball Valve	BV-051
<b>D</b> External Automatic Float Drain	N32-95-XD8
<b>E</b> Bowl O-ring	PHC-032



# Order Guide

Drain Type	Port Size	Model Number	Dimensions (in.)		
			Height	Width	Depth
Manual	3"	1M-1200-M24-DCP	40.0	17.0	7.3
External Automatic	3"	1M-1200-M24-DC	44.0	17.0	7.3

# Specifications

<b>Port Sizes</b>	3", 4", 6" RFSO
<b>Connection</b>	Raised Face 150# Flange
<b>Flow Capacity</b>	1900/3000 SCFM @ 100 PSI
<b>Filter Capacity</b>	0.01 micron & larger
<b>Differential Pressure</b>	< 2.5 PSID at rated flow
<b>Max. Temp./Pressure (Epoxy Coated Carbon Steel)</b>	150 °F/200 PSIG
<b>Approx. Weight (lb.)</b>	600.0/620.0/900.0
<b>ISO Class</b>	1 Particulate/Oil

For higher pressure applications, consult factory. Units equipped with differential pressure indicator have max. temperature and pressure of 150 °F and 150 PSIG, regardless of bowl material.

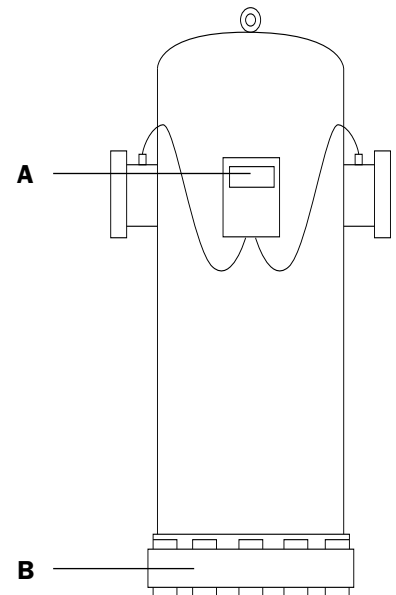


**Water**  
**Dirt**  
**Oil**  
**Oil Vapor**  
**Odor**

# Replacement Parts & Accessories

Description	Part Number
<b>A</b> Differential Pressure Indicator	N32-P2-DPi
<b>B</b> External Automatic Float Drain	N32-95-XD8
Manual Drain, Ball Valve	BV-051
Replacement Element, 1st Stage	1X-2500/1X-5500
Replacement Element, 2nd Stage	3C-1900/3C-3000

Note:  
All 1900 units require a minimum of 25" clearance between bottom of housing and floor for installation.  
All 3000 units require a minimum of 36" clearance between bottom of housing and floor for installation.



# Order Guide

Drain Type	Port Size	Model Number	Dimensions (in.)		
			Height	Width	Depth
Manual	3"	1M-1900-MFD-DCP	50.2	40.1	16.0
	4"	1M-1900-MFE-DCP	50.2	40.1	16.0
	6"	1M-3000-MFF-DCP	68.0	46.9	19.0
External Automatic	3"	1M-1900-MFD-DCX	54.2	40.1	16.0
	4"	1M-1900-MFE-DCX	54.2	40.1	16.0
	6"	1M-3000-MFF-DCX	72.0	46.9	19.0

Indicator included as standard with metal bowl units.

# Specifications

<b>Port Sizes</b>	1/4", 3/8"
<b>Thread Styles</b>	NPT, BSPT, BSPP
<b>Flow Capacity</b>	20 SCFM @ 100 PSI
<b>Filter Capacity</b>	1.0 micron & larger
<b>Differential Pressure</b>	< 5.0 PSID at rated flow
<b>Max. Temp./Pressure (Aluminum Bowl)</b>	175 °F/200 PSIG
<b>Max. Temp./Pressure (Polycarbonate Bowl)</b>	125 °F/150 PSIG
<b>Approx. Weight (lb.)</b>	2.0
<b>ISO Class</b>	2 Particulate

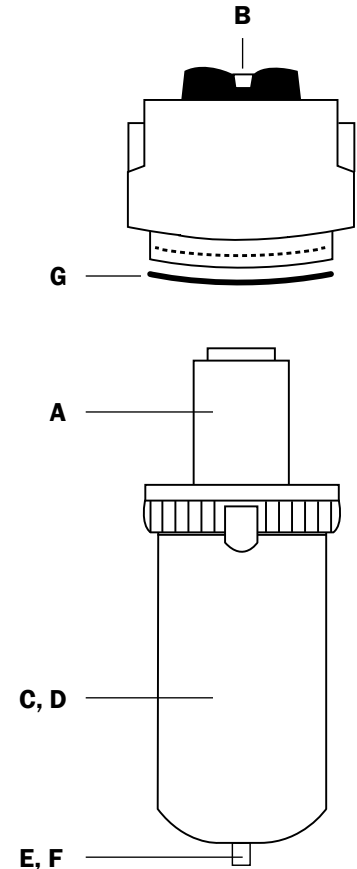
For higher pressure applications, consult factory. Units equipped with differential pressure indicator have max. temperature and pressure of 125 °F and 150 PSIG, regardless of bowl material.



**Water**  
**Dirt**  
**Oil**  
**Oil Vapor**  
**Odor**

# Replacement Parts & Accessories

Description	Part Number
<b>A</b> Replacement Element	3P-020
<b>B</b> Differential Pressure Indicator	N32-W1-DPI
<b>B</b> Blanking Cap (Cover for units without indicator)	N32-95-020
<b>C</b> Bowl Assembly: Metal Bowl, Manual Petcock Drain, O-ring	N32-95-178
<b>C</b> Bowl Assembly: Metal Bowl, Automatic Float Drain, O-ring	N32-95-950
<b>D</b> Bowl Assembly: Poly Bowl, Manual Petcock Drain, O-ring*	N32-15-159
<b>D</b> Bowl Assembly: Poly Bowl, Automatic Float Drain, O-ring*	N32-15-160
<b>E</b> Manual Petcock Drain	N32-95-182
<b>F</b> Automatic Float Drain	N32-95-973
<b>G</b> Bowl O-ring	N32-95-009
Mounting Bracket (Optional)	GPA-95-016



# Order Guide

Drain Type	Port Size	Model Number		Dimensions (in.)		
		Metal Bowl	Poly Bowl	Height**	Width	Depth
Manual	1/4"	3P-020-M02-P	3P-020-P02-P	7.2	3.0	2.7
	3/8"	3P-020-M03-P	3P-020-P03-P	7.2	3.0	2.7
Automatic	1/4"	3P-020-M02-F	3P-020-P02-F	7.4	3.0	2.7
	3/8"	3P-020-M03-F	3P-020-P03-F	7.4	3.0	2.7

\*Poly bowls come with metal bowl guard

\*\*To add an indicator, add "i" to end of model number (Indicator adds about 1" to height)

# Specifications

<b>Port Sizes</b>	¼", ⅜", ½"
<b>Thread Styles</b>	NPT, BSPT, BSPP
<b>Flow Capacity</b>	35/60 SCFM @ 100 PSI
<b>Filter Capacity</b>	1.0 micron & larger
<b>Differential Pressure</b>	< 5.0 PSID at rated flow
<b>Max. Temp./Pressure (Aluminum Bowl)</b>	175 °F/200 PSIG
<b>Max. Temp./Pressure (Polycarbonate Bowl)</b>	125 °F/150 PSIG
<b>Approx. Weight (lb.)</b>	3.5
<b>ISO Class</b>	2 Particulate

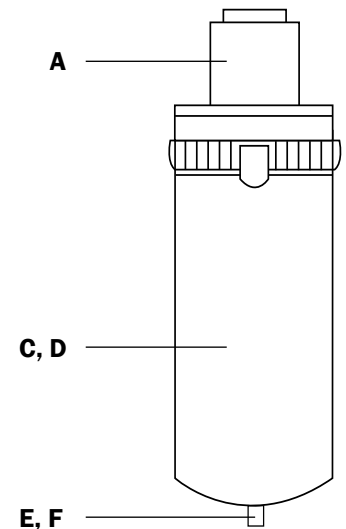
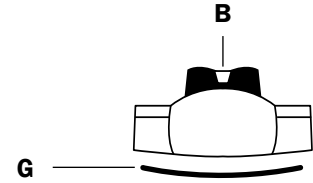
For higher pressure applications, consult factory. Units equipped with differential pressure indicator have max. temperature and pressure of 125 °F and 150 PSIG, regardless of bowl material.



**Water**  
**Dirt**  
**Oil**  
**Oil Vapor**  
**Odor**

# Replacement Parts & Accessories

Description	Part Number
<b>A</b> Replacement Element	3P-035/3P-060
<b>B</b> Differential Pressure Indicator	N32-W1-DPi
<b>B</b> Blanking Cap (Cover for units without indicator)	N32-95-020
<b>C</b> Bowl Assembly: Metal Bowl, Manual Petcock Drain, O-ring	N34-95-205
<b>C</b> Bowl Assembly: Metal Bowl, Automatic Float Drain, O-ring	N34-95-201
<b>D</b> Bowl Assembly: Poly Bowl, Manual Petcock Drain, O-ring*	N32-15-163
<b>D</b> Bowl Assembly: Poly Bowl, Automatic Float Drain, O-ring*	N32-15-165
<b>E</b> Manual Petcock Drain (Metal Bowl)	PC-02
<b>E</b> Manual Petcock Drain (Poly Bowl)	N32-95-182
<b>F</b> Automatic Float Drain (Metal Bowl)	N32-95-979
<b>F</b> Automatic Float Drain (Poly Bowl)	N32-95-973
<b>G</b> Bowl O-ring	N32-95-257
Mounting Bracket (Optional)	BK-1



# Order Guide

Drain Type	Port Size	Model Number				Dimensions (in.)	
		Metal Bowl		Poly Bowl		Height**	
		Low Flow	Med Flow	Low Flow	Med Flow	Metal	Poly
Manual	¼"	3P-035-M02-P	3P-060-M02-P	3P-035-P02-P	3P-060-P02-P	10.0	11.0
	⅜"	3P-035-M03-P	3P-060-M03-P	3P-035-P03-P	3P-060-P03-P	<b>Width</b>	<b>Depth</b>
	½"	3P-035-M04-P	3P-060-M04-P	3P-035-P04-P	3P-060-P04-P	3.7	3.9
Automatic	¼"	3P-035-M02-F	3P-060-M02-F	3P-035-P02-F	3P-060-P02-F	Height**	
	⅜"	3P-035-M03-F	3P-060-M03-F	3P-035-P03-F	3P-060-P03-F	<b>Metal</b>	<b>Poly</b>
	½"	3P-035-M04-F	3P-060-M04-F	3P-035-P04-F	3P-060-P04-F	10.0	11.0

\*Poly bowls come with metal bowl guard

\*\*To add an indicator, add "I" to end of model number (Indicator adds about 1" to height)

# Specifications

<b>Port Sizes</b>	½", ¾", 1"
<b>Thread Styles</b>	NPT, BSPT, BSPP
<b>Flow Capacity</b>	90/150 SCFM @ 100 PSI
<b>Filter Capacity</b>	1.0 micron & larger
<b>Differential Pressure</b>	< 5.0 PSID at rated flow
<b>Max. Temp./Pressure (Aluminum Bowl)</b>	175 °F/200 PSIG
<b>Max. Temp./Pressure (Polycarbonate Bowl)</b>	125 °F/150 PSIG
<b>Approx. Weight (lb.)</b>	6.0
<b>ISO Class</b>	2 Particulate

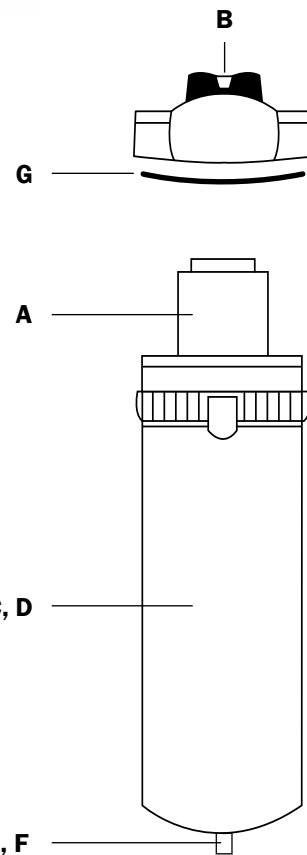
For higher pressure applications, consult factory. Units equipped with differential pressure indicator have max. temperature and pressure of 125 °F and 150 PSIG, regardless of bowl material.



**Water**  
**Dirt**  
**Oil**  
**Oil Vapor**  
**Odor**

# Replacement Parts & Accessories

Description	Part Number
<b>A</b> Replacement Element	3P-090/3P-150
<b>B</b> Differential Pressure Indicator	N32-W1-DPI
<b>B</b> Blanking Cap (Cover for units without indicator)	N32-95-020
<b>C</b> Bowl Assembly: Metal Bowl, Manual Petcock Drain, O-ring	N34-15-180
<b>C</b> Bowl Assembly: Metal Bowl, Automatic Float Drain, O-ring	N34-15-178
<b>D</b> Bowl Assembly: Poly Bowl, Manual Petcock Drain, O-ring*	N32-15-167
<b>D</b> Bowl Assembly: Poly Bowl, Automatic Float Drain, O-ring*	N32-15-035
<b>E</b> Manual Petcock Drain (Metal Bowl)	PC-03
<b>E</b> Manual Petcock Drain (Poly Bowl)	N32-95-182
<b>F</b> Automatic Float Drain (Metal Bowl)	N32-95-979
<b>F</b> Automatic Float Drain (Poly Bowl)	N32-95-973
<b>G</b> Bowl O-ring	N32-95-256
Mounting Bracket (Optional)	N32-95-734



# Order Guide

Drain Type	Port Size	Model Number				Dimensions (in.)	
		Metal Bowl		Poly Bowl		Height**	
		Low Flow	Med Flow	Low Flow	Med Flow	Metal	Poly
Manual	½"	3P-090-M04-P	3P-150-M04-P	3P-090-P04-P	3P-150-P04-P	17.0	14.0
	¾"	3P-090-M06-P	3P-150-M06-P	3P-090-P06-P	3P-150-P06-P	<b>Width</b>	<b>Depth</b>
	1"	3P-090-M08-P	3P-150-M08-P	3P-090-P08-P	3P-150-P08-P	4.6	4.8
Automatic	½"	3P-090-M04-F	3P-150-M04-F	3P-090-P04-F	3P-150-P04-F	Height**	
	¾"	3P-090-M06-F	3P-150-M06-F	3P-090-P06-F	3P-150-P06-F	<b>Metal</b>	<b>Poly</b>
	1"	3P-090-M08-F	3P-150-M08-F	3P-090-P08-F	3P-150-P08-F	17.0	15.0

\*Poly bowls come with metal bowl guard  
\*\*To add an indicator, add "i" to end of model number (Indicator adds about 1" to height)

# Specifications

<b>Port Sizes</b>	1/4", 3/8"
<b>Thread Styles</b>	NPT, BSPT, BSPP
<b>Flow Capacity</b>	20 SCFM @ 100 PSI
<b>Filter Capacity</b>	0.01 micron & larger
<b>Differential Pressure</b>	< 5.0 PSID at rated flow
<b>Max. Temp./Pressure (Aluminum Bowl)</b>	175 °F/200 PSIG
<b>Max. Temp./Pressure (Polycarbonate Bowl)</b>	125 °F/150 PSIG
<b>Approx. Weight (lb.)</b>	4.0
<b>ISO Class</b>	1 Particulate/Oil

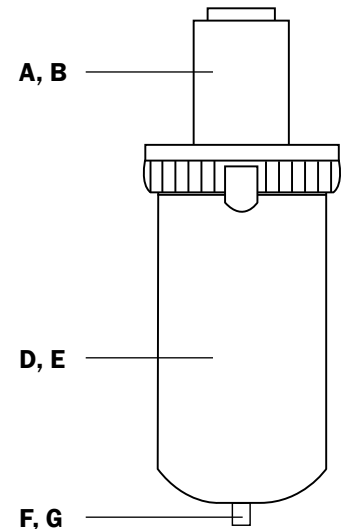
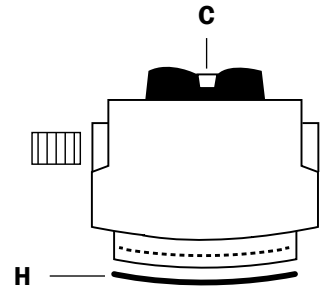
For higher pressure applications, consult factory. Units equipped with differential pressure indicator have max. temperature and pressure of 125 °F and 150 PSIG, regardless of bowl material.



**Water**  
**Dirt**  
**Oil**  
**Oil Vapor**  
**Odor**

# Replacement Parts & Accessories

Description	Part Number
<b>A</b> Replacement Element, 1st Stage	3P-020
<b>B</b> Replacement Element, 2nd Stage	3C-020
<b>C</b> Differential Pressure Indicator	N32-W1-DPi
<b>C</b> Blanking Cap (Cover for units without indicator)	N32-95-020
<b>D</b> Bowl Assembly: Metal Bowl, Manual Petcock Drain, & O-ring	N32-95-178
<b>D</b> Bowl Assembly: Metal Bowl, Automatic Float Drain, & O-ring	N32-95-950
<b>E</b> Bowl Assembly: Poly Bowl, Manual Petcock Drain, & O-ring*	N32-15-159
<b>E</b> Bowl Assembly: Poly Bowl, Automatic Float Drain, & O-ring*	N32-15-160
<b>F</b> Manual Petcock Drain	N32-95-182
<b>G</b> Automatic Float Drain	N32-95-973
<b>H</b> Bowl O-ring	N32-95-009
Mounting Bracket (Optional)	N34-95-969



# Order Guide

Drain Type	Port Size	Model Number		Dimensions (in.)		
		Metal Bowl	Poly Bowl	Height**	Width	Depth
Manual	1/4"	3P-020-M02-DCP	3P-020-P02-DCP	7.2	6.4	2.7
	3/8"	3P-020-M03-DCP	3P-020-P03-DCP	7.2	6.4	2.7
Automatic	1/4"	3P-020-M02-DC	3P-020-P02-DC	7.4	6.4	2.7
	3/8"	3P-020-M03-DC	3P-020-P03-DC	7.4	6.4	2.7

\*Poly bowls come with metal bowl guard  
\*\*To add an indicator, add "i" to end of model number (Indicator adds about 1" to height)



# Specifications

<b>Port Sizes</b>	1/4", 3/8", 1/2"
<b>Thread Styles</b>	NPT, BSPT, BSPP
<b>Flow Capacity</b>	60 SCFM @ 100 PSI
<b>Filter Capacity</b>	0.01 micron & larger
<b>Differential Pressure</b>	< 5.0 PSID at rated flow
<b>Max. Temp./Pressure (Aluminum Bowl)</b>	175 °F/200 PSIG
<b>Max. Temp./Pressure (Polycarbonate Bowl)</b>	125 °F/150 PSIG
<b>Approx. Weight (lb.)</b>	7.0
<b>ISO Class</b>	1 Particulate/Oil

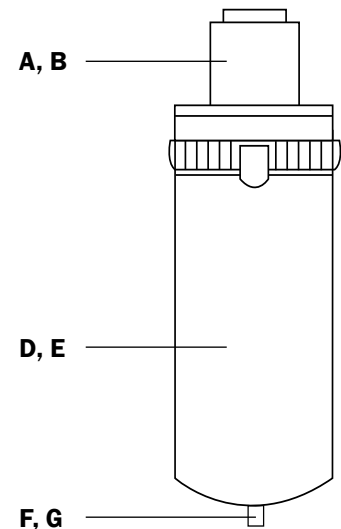
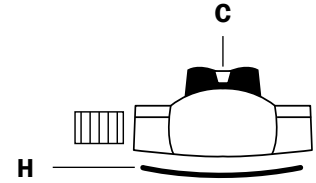
For higher pressure applications, consult factory. Units equipped with differential pressure indicator have max. temperature and pressure of 125 °F and 150 PSIG, regardless of bowl material.



**Water**  
**Dirt**  
**Oil**  
**Oil Vapor**  
**Odor**

# Replacement Parts & Accessories

Description	Part Number
<b>A</b> Replacement Element, 1st Stage	3P-060
<b>B</b> Replacement Element, 2nd Stage	3C-060
<b>C</b> Differential Pressure Indicator	N32-W1-DPi
<b>C</b> Blanking Cap (Cover for units without indicator)	N32-95-020
<b>D</b> Bowl Assembly: Metal Bowl, Manual Petcock Drain, O-ring	N34-95-205
<b>D</b> Bowl Assembly: Metal Bowl, Automatic Float Drain, O-ring	N34-95-201
<b>E</b> Bowl Assembly: Poly Bowl, Manual Petcock Drain, O-ring*	N32-15-163
<b>E</b> Bowl Assembly: Poly Bowl, Automatic Float Drain, O-ring*	N32-15-165
<b>F</b> Manual Petcock Drain (Metal Bowl)	PC-02
<b>F</b> Manual Petcock Drain (Poly Bowl)	N32-95-182
<b>G</b> Automatic Float Drain (Metal Bowl)	N32-95-979
<b>G</b> Automatic Float Drain (Poly Bowl)	N32-95-973
<b>H</b> Bowl O-ring	N32-95-257
Mounting Bracket (Optional)	BK-1



# Order Guide

Drain Type	Port Size	Model Number		Dimensions (in.)			
		Metal Bowl	Poly Bowl	Height**		Width	Depth
				Metal	Poly		
Manual	1/4"	3P-060-M02-DCP	3P-060-P02-DCP	10.2	10.8	8.0	3.9
	3/8"	3P-060-M03-DCP	3P-060-P03-DCP	9.7	10.3	8.0	3.9
	1/2"	3P-060-M04-DCP	3P-060-P04-DCP	9.7	10.3	8.0	3.9
Automatic	1/4"	3P-060-M02-DC	3P-060-P02-DC	10.5	11.2	8.0	3.9
	3/8"	3P-060-M03-DC	3P-060-P03-DC	10.0	10.7	8.0	3.9
	1/2"	3P-060-M04-DC	3P-060-P04-DC	10.0	10.7	8.0	3.9

\*Poly bowls come with metal bowl guard

\*\*To add an indicator, add "i" to end of model number (Indicator adds about 1" to height)

# Specifications

<b>Port Sizes</b>	1/2", 3/4", 1"
<b>Thread Styles</b>	NPT, BSPT, BSPP
<b>Flow Capacity</b>	90/150 SCFM @ 100 PSI
<b>Filter Capacity</b>	0.01 micron & larger
<b>Differential Pressure</b>	< 5.0 PSID at rated flow
<b>Max. Temp./Pressure (Aluminum Bowl)</b>	175 °F/200 PSIG
<b>Max. Temp./Pressure (Polycarbonate Bowl)</b>	125 °F/150 PSIG
<b>Approx. Weight (lb.)</b>	12.0
<b>ISO Class</b>	1 Particulate/Oil

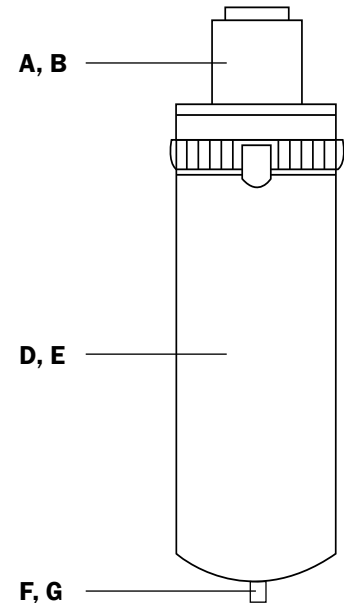
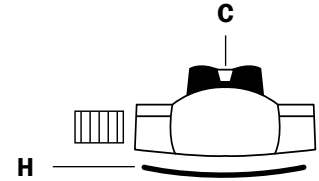
For higher pressure applications, consult factory. Units equipped with differential pressure indicator have max. temperature and pressure of 125 °F and 150 PSIG, regardless of bowl material.



**Water**  
**Dirt**  
**Oil**  
**Oil Vapor**  
**Odor**

# Replacement Parts & Accessories

Description	Part Number
<b>A</b> Replacement Element, 1st Stage	3P-090/3P-150
<b>B</b> Replacement Element, 2nd Stage	3C-090/3C-150
<b>C</b> Differential Pressure Indicator	N32-W1-DPi
<b>C</b> Blanking Cap (Cover for units without indicator)	N32-95-020
<b>D</b> Bowl Assembly: Metal Bowl, Manual Petcock Drain, O-ring	N34-15-180
<b>D</b> Bowl Assembly: Metal Bowl, Automatic Float Drain, O-ring	N34-15-178
<b>E</b> Bowl Assembly: Poly Bowl, Manual Petcock Drain, O-ring*	N32-15-167
<b>E</b> Bowl Assembly: Poly Bowl, Automatic Float Drain, O-ring*	N32-15-035
<b>F</b> Manual Petcock Drain (Metal Bowl)	PC-03
<b>F</b> Manual Petcock Drain (Poly Bowl)	N32-95-182
<b>G</b> Automatic Float Drain (Metal Bowl)	N32-95-979
<b>G</b> Automatic Float Drain (Poly Bowl)	N32-95-973
<b>H</b> Bowl O-ring	N32-95-256
Mounting Bracket (Optional)	N32-95-734



# Order Guide

Drain Type	Port Size	Model Number				Dimensions (in.)	
		Metal Bowl		Poly Bowl		Height**	
		Low Flow	Med Flow	Low Flow	Med Flow	Metal	Poly
Manual	1/2"	3P-090-M04-DCP	3P-150-M04-DCP	3P-090-P04-DCP	3P-150-P04-DCP	17.0	14.0
	3/4"	3P-090-M06-DCP	3P-150-M06-DCP	3P-090-P06-DCP	3P-150-P06-DCP	<b>Width</b>	<b>Depth</b>
	1"	3P-090-M08-DCP	3P-150-M08-DCP	3P-090-P08-DCP	3P-150-P08-DCP	9.8	4.8
Automatic	1/2"	3P-090-M04-DC	3P-150-M04-DC	3P-090-P04-DC	3P-150-P04-DC	Height**	
	3/4"	3P-090-M06-DC	3P-150-M06-DC	3P-090-P06-DC	3P-150-P06-DC	<b>Metal</b>	<b>Poly</b>
	1"	3P-090-M08-DC	3P-150-M08-DC	3P-090-P08-DC	3P-150-P08-DC	17.0	15.0

\*Poly bowls come with metal bowl guard

\*\*To add an indicator, add "I" to end of model number (Indicator adds about 1" to height)

# Specifications

<b>Port Sizes</b>	¼"
<b>Thread Styles</b>	NPT, BSPT, BSPP
<b>Flow Capacity</b>	20 SCFM @ 100 PSI
<b>Filter Capacity</b>	0.01 micron & larger
<b>Differential Pressure</b>	< 1.5 PSID at rated flow
<b>Max. Temp./Pressure (Aluminum Bowl)</b>	175 °F/200 PSIG
<b>Max. Temp./Pressure (Polycarbonate Bowl)</b>	125 °F/150 PSIG
<b>Approx. Weight (lb.)</b>	2.0
<b>ISO Class</b>	1 Particulate/Oil

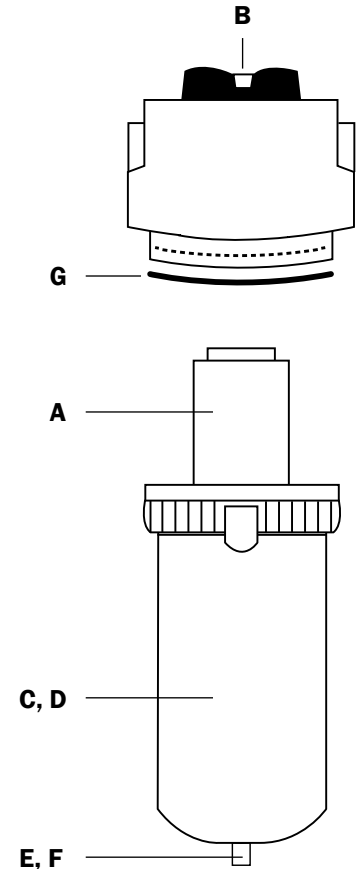
For higher pressure applications, consult factory. Units equipped with differential pressure indicator have max. temperature and pressure of 125 °F and 150 PSIG, regardless of bowl material.



Water  
Dirt  
Oil  
Oil Vapor  
Odor

# Replacement Parts & Accessories

Description	Part Number
<b>A</b> Replacement Element	3C-020
<b>B</b> Differential Pressure Indicator	N32-W1-DPI
<b>B</b> Blanking Cap (Cover for units without indicator)	N32-95-020
<b>C</b> Bowl Assembly: Metal Bowl, Manual Petcock Drain, O-ring	N32-95-178
<b>C</b> Bowl Assembly: Metal Bowl, Automatic Float Drain, O-ring	N32-95-950
<b>D</b> Bowl Assembly: Poly Bowl, Manual Petcock Drain, O-ring*	N32-15-159
<b>D</b> Bowl Assembly: Poly Bowl, Automatic Float Drain, O-ring*	N32-15-160
<b>E</b> Manual Petcock Drain	N32-95-182
<b>F</b> Automatic Float Drain	N32-95-973
<b>G</b> Bowl O-ring	N32-95-009
Mounting Bracket (Optional)	GPA-95-016



# Order Guide

Drain Type	Port Size	Model Number		Dimensions (in.)		
		Metal Bowl	Poly Bowl	Height**	Width	Depth
Manual	¼"	3C-020-M02-P	3C-020-P02-P	7.6	3.0	2.7
		3C-020-M02-F	3C-020-P02-F	7.8	3.0	2.7

\*Poly bowls come with metal bowl guard

\*\*To add an indicator, add "I" to end of model number (Indicator adds about 1" to height)

# Specifications

<b>Port Sizes</b>	1/4", 3/8", 1/2"
<b>Thread Styles</b>	NPT, BSPT, BSPP
<b>Flow Capacity</b>	60 SCFM @ 100 PSI
<b>Filter Capacity</b>	0.01 micron & larger
<b>Differential Pressure</b>	< 1.5 PSID at rated flow
<b>Max. Temp./Pressure (Aluminum Bowl)</b>	175 °F/200 PSIG
<b>Max. Temp./Pressure (Polycarbonate Bowl)</b>	125 °F/150 PSIG
<b>Approx. Weight (lb.)</b>	3.5
<b>ISO Class</b>	1 Particulate/Oil

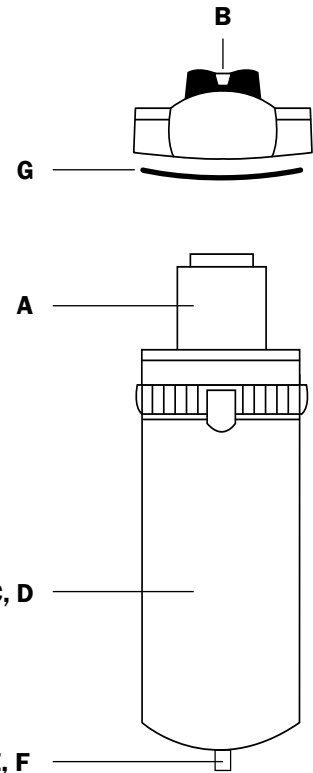
For higher pressure applications, consult factory. Units equipped with differential pressure indicator have max. temperature and pressure of 125 °F and 150 PSIG, regardless of bowl material.



Water  
Dirt  
Oil  
Oil Vapor  
Odor

# Replacement Parts & Accessories

Description	Part Number
<b>A</b> Replacement Element	3C-060
<b>B</b> Differential Pressure Indicator	N32-W1-DPI
<b>B</b> Blanking Cap (Cover for units without indicator)	N32-95-020
<b>C</b> Bowl Assembly: Metal Bowl, Manual Petcock Drain, O-ring	N34-95-205
<b>C</b> Bowl Assembly: Metal Bowl, Automatic Float Drain, O-ring	N34-95-201
<b>D</b> Bowl Assembly: Poly Bowl, Manual Petcock Drain, O-ring*	N32-15-163
<b>D</b> Bowl Assembly: Poly Bowl, Automatic Float Drain, O-ring*	N32-15-165
<b>E</b> Manual Petcock Drain (Metal Bowl)	PC-02
<b>E</b> Manual Petcock Drain (Poly Bowl)	N32-95-182
<b>F</b> Automatic Float Drain (Metal Bowl)	N32-95-979
<b>F</b> Automatic Float Drain (Poly Bowl)	N32-95-973
<b>G</b> Bowl O-ring	N32-95-257
Mounting Bracket (Optional)	BK-1



# Order Guide

Drain Type	Port Size	Model Number		Dimensions (in.)			
		Metal Bowl	Poly Bowl	Height**		Width	Depth
				Metal	Poly		
Manual	1/4"	3C-060-M02-P	3C-060-P02-P	10.1	10.8	3.7	3.9
	3/8"	3C-060-M03-P	3C-060-P03-P	10.1	10.8	3.7	3.9
	1/2"	3C-060-M04-P	3C-060-P04-P	10.1	10.8	3.7	3.9
Automatic	1/4"	3C-060-M02-F	3C-060-P02-F	10.5	11.2	3.7	3.9
	3/8"	3C-060-M03-F	3C-060-P03-F	10.5	11.2	3.7	3.9
	1/2"	3C-060-M04-F	3C-060-P04-F	10.5	11.2	3.7	3.9

\*Poly bowls come with metal bowl guard

\*\*To add an indicator, add "I" to end of model number (Indicator adds about 1" to height)

# Specifications

<b>Port Sizes</b>	1/2", 3/4", 1"
<b>Thread Styles</b>	NPT, BSPT, BSPP
<b>Flow Capacity</b>	90/150/250 SCFM @ 100 PSI
<b>Filter Capacity</b>	0.01 micron & larger
<b>Differential Pressure</b>	< 1.5 PSID at rated flow
<b>Max. Temp./Pressure (Aluminum Bowl)</b>	175 °F/200 PSIG
<b>Max. Temp./Pressure (Polycarbonate Bowl)</b>	125 °F/150 PSIG
<b>Approx. Weight (lb.)</b>	6.0
<b>ISO Class</b>	1 Particulate/Oil

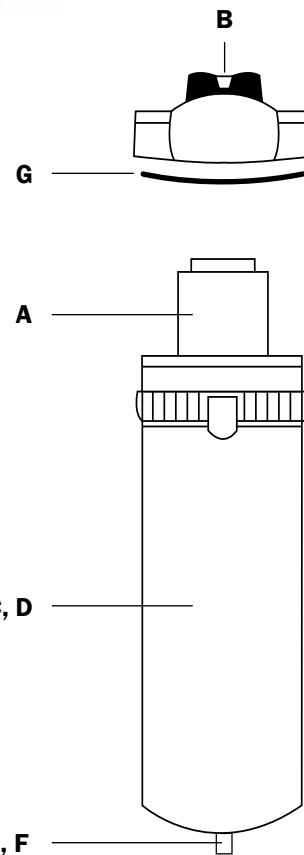
For higher pressure applications, consult factory. Units equipped with differential pressure indicator have max. temperature and pressure of 125 °F and 150 PSIG, regardless of bowl material.



Water  
Dirt  
Oil  
Oil Vapor  
Odor

# Replacement Parts & Accessories

Description	Part Number
<b>A</b> Replacement Element	3C-090/3C-150/3C-250
<b>B</b> Differential Pressure Indicator	N32-W1-DPI
<b>B</b> Blanking Cap (Cover for units without indicator)	N32-95-020
<b>C</b> Bowl Assembly: Metal Bowl, Manual Petcock Drain, O-ring	N34-15-180
<b>C</b> Bowl Assembly: Metal Bowl, Automatic Float Drain, O-ring	N34-15-178
<b>D</b> Bowl Assembly: Poly Bowl, Manual Petcock Drain, O-ring*	N32-15-167
<b>D</b> Bowl Assembly: Poly Bowl, Automatic Float Drain, O-ring*	N32-15-035
<b>E</b> Manual Petcock Drain (Metal Bowl)	PC-03
<b>E</b> Manual Petcock Drain (Poly Bowl)	N32-95-182
<b>F</b> Automatic Float Drain (Metal Bowl)	N32-95-979
<b>F</b> Automatic Float Drain (Poly Bowl)	N32-95-973
<b>G</b> Bowl O-ring	N32-95-256
Mounting Bracket (Optional)	N32-95-734



# Order Guide

Drain Type	Port Size	Model Number					Dimensions (in.)	
		Metal Bowl			Poly Bowl		Height**	
		Low Flow	Med Flow	High Flow	Low Flow	Med Flow	Metal	Poly
Manual	1/2"	3C-090-M04-P	3C-150-M04-P	3C-250-M04-P	3C-090-P04-P	3C-150-P04-P	17.4	14.3
	3/4"	3C-090-M06-P	3C-150-M06-P	3C-250-M06-P	3C-090-P06-P	3C-150-P06-P	<b>Width</b>	<b>Depth</b>
	1"	3C-090-M08-P	3C-150-M08-P	3C-250-M08-P	3C-090-P08-P	3C-150-P08-P	4.6	4.8
Automatic	1/2"	3C-090-M04-F	3C-150-M04-F	3C-250-M04-F	3C-090-P04-F	3C-150-P04-F	Height**	
	3/4"	3C-090-M06-F	3C-150-M06-F	3C-250-M06-F	3C-090-P06-F	3C-150-P06-F	<b>Metal</b>	<b>Poly</b>
	1"	3C-090-M08-F	3C-150-M08-F	3C-250-M08-F	3C-090-P08-F	3C-150-P08-F	17.3	14.7

\*Poly bowls come with metal bowl guard

\*\*To add an indicator, add "i" to end of model number (Indicator adds about 1" to height)

# Specifications

<b>Port Sizes</b>	1¼", 1½", 2"
<b>Thread Styles</b>	NPT, BSPT, BSPP
<b>Flow Capacity</b>	300/400/700 SCFM @ 100 PSI
<b>Filter Capacity</b>	0.01 micron & larger
<b>Differential Pressure</b>	< 1.5 PSID at rated flow
<b>Max. Temp./Pressure (Aluminum Bowl)</b>	175 °F/200 PSIG
<b>Approx. Weight (lb.)</b>	30.0
<b>ISO Class</b>	1 Particulate/Oil

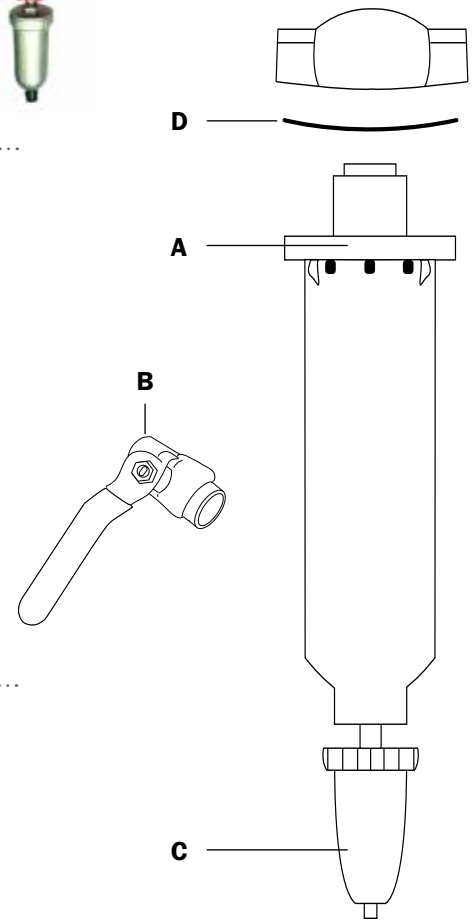
For higher pressure applications, consult factory. Units equipped with differential pressure indicator have max. temperature and pressure of 125 °F and 150 PSIG, regardless of bowl material.



*Water*  
**Dirt**  
**Oil**  
*Oil Vapor*  
*Odor*

# Replacement Parts & Accessories

Description	Part Number
<b>A</b> Replacement Element	3C-300/3C-400/3C-700
<b>B</b> Manual Drain, Ball Valve	BV-051
<b>C</b> External Automatic Float Drain	N32-95-XD8
<b>D</b> Bowl O-ring	N32-F35-OR



# Order Guide

Drain Type	Port Size	Model Number			Dimensions (in.)		
		Low Flow	Med Flow	High Flow	Height*	Width	Depth
Manual	1¼"	3C-300-M10-P	3C-400-M10-P	3C-700-M10-P	28.0	7.8	7.8
	1½"	3C-300-M12-P	3C-400-M12-P	3C-700-M12-P	28.0	7.8	7.8
	2"	3C-300-M16-P	3C-400-M16-P	3C-700-M16-P	28.0	7.8	7.8
External Automatic	1¼"	3C-300-M10-F	3C-400-M10-F	3C-700-M10-F	32.0	7.8	7.8
	1½"	3C-300-M12-F	3C-400-M12-F	3C-700-M12-F	32.0	7.8	7.8
	2"	3C-300-M16-F	3C-400-M16-F	3C-700-M16-F	32.0	7.8	7.8

\*To add an indicator, add "i" to end of model number (Indicator adds about 1" to height)

# Specifications

<b>Port Sizes</b>	3"
<b>Connection</b>	NPT, BSPT, BSPP
<b>Flow Capacity</b>	1200 SCFM @ 100 PSI
<b>Filter Capacity</b>	0.01 micron & larger
<b>Differential Pressure</b>	< 1.5 PSID at rated flow
<b>Max. Temp./Pressure (Manual Drain)</b>	175 °F/200 PSIG
<b>Max. Temp./Pressure (Automatic Float Drain)</b>	125 °F/150 PSIG
<b>Approx. Weight (lb.)</b>	38.0
<b>ISO Class</b>	1 Particulate/Oil

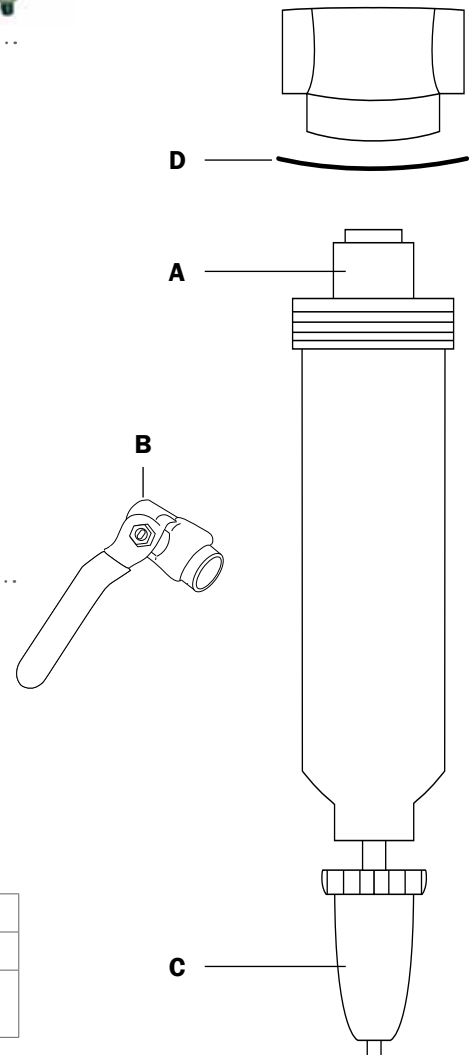
For higher pressure units, consult factory.



*Water*  
**Dirt**  
**Oil**  
*Oil Vapor*  
*Odor*

# Replacement Parts & Accessories

Description	Part Number
<b>A</b> Replacement Element	3C-1200
<b>B</b> Manual Drain, Ball Valve	BV-051
<b>C</b> External Automatic Float Drain	N32-95-XD8
<b>D</b> Bowl O-ring	PHC-032



# Order Guide

Drain Type	Port Size	Model Number	Dimensions (in.)		
			Height	Width	Depth
Manual	3"	3C-1200-M24-P	40.0	8.0	7.3
External Automatic	3"	3C-1200-M24-F	44.0	8.0	7.3

# Specifications

<b>Port Sizes</b>	3", 4", 6" RFSO
<b>Connection</b>	Raised Face 150# Flange
<b>Flow Capacity</b>	1900/3000 SCFM @ 100 PSI
<b>Filter Capacity</b>	0.01 micron & larger
<b>Differential Pressure</b>	< 1.5 PSID at rated flow
<b>Max. Temp./Pressure (Epoxy Coated Carbon Steel)</b>	150 °F/200 PSIG
<b>Approx. Weight (lb.)</b>	280.0/290.0/420.0
<b>ISO Class</b>	1 Particulate/Oil



*Water  
Dirt  
Oil  
Oil Vapor  
Odor*

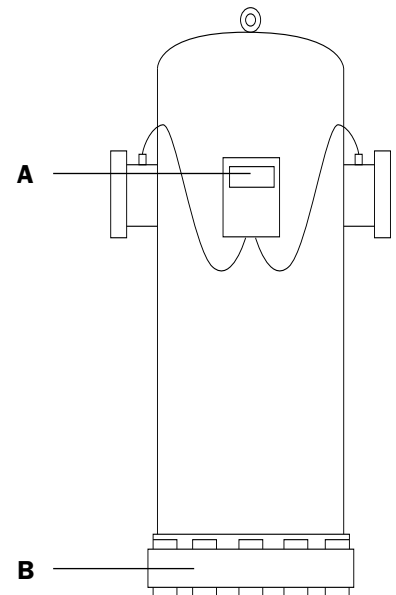
For higher pressure applications, consult factory. Units equipped with external auto drain have max. temperature and pressure of 150 °F and 150 PSIG.

# Replacement Parts & Accessories

Description	Part Number
<b>A</b> Differential Pressure Indicator	N32-P2-DPi
<b>B</b> External Automatic Float Drain	N32-95-XD8
Replacement Element	3C-1900/3C-3000
Manual Drain, Ball Valve	BV-051

Note:

All 3C-1900 units require a minimum of 25" clearance between bottom of housing and floor for installation.  
All 3C-3000 units require a minimum of 36" clearance between bottom of housing and floor for installation.



# Order Guide

Drain Type	Port Size	Model Number	Dimensions (in.)		
			Height	Width	Depth
Manual	3"	3C-1900-MFD-P	50.2	20.0	16.0
	4"	3C-1900-MFE-P	50.2	20.0	16.0
	6"	3C-3000-MFF-P	68.0	23.4	19.0
External Automatic	3"	3C-1900-MFD-X	54.2	20.0	16.0
	4"	3C-1900-MFE-X	54.2	20.0	16.0
	4"	3C-3000-MFE-X	72.0	23.4	19.0
	6"	3C-3000-MFF-X	72.0	23.4	19.0

Indicator included as standard with metal bowl units.



# Specifications

<b>Port Sizes</b>	1/2", 3/4", 1"
<b>Thread Styles</b>	NPT, BSPT, BSPP
<b>Flow Capacity</b>	90/150/250 SCFM @ 100 PSI
<b>Filter Capacity</b>	0.01 micron & larger
<b>Differential Pressure</b>	< 1.5 PSID at rated flow
<b>Max. Temp./Pressure (Aluminum Bowl)</b>	175 °F/200 PSIG
<b>Max. Temp./Pressure (Polycarbonate Bowl)</b>	125 °F/150 PSIG
<b>Approx. Weight (lb.)</b>	6.0
<b>ISO Class</b>	1 Particulate/Oil

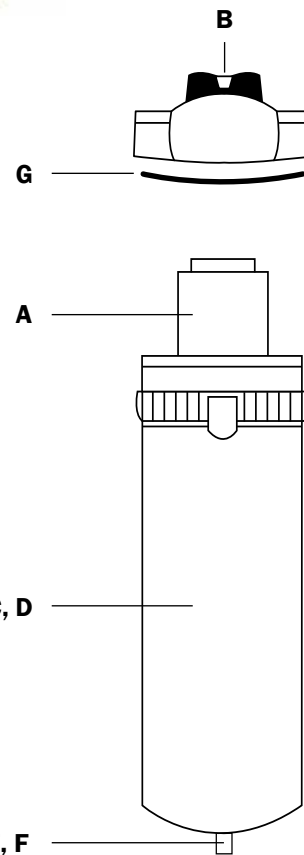
For higher pressure applications, consult factory. Units equipped with differential pressure indicator have max. temperature and pressure of 125 °F and 150 PSIG, regardless of bowl material.



Water  
Dirt  
Oil  
Oil Vapor  
Odor

# Replacement Parts & Accessories

Description	Part Number
<b>A</b> Replacement Element	3C-091/3C-151/3C-251
<b>B</b> Differential Pressure Indicator	N32-W1-DPI
<b>B</b> Blanking Cap (Cover for units without indicator)	N32-95-020
<b>C</b> Bowl Assembly: Metal Bowl, Manual Petcock Drain, O-ring	N34-15-180
<b>C</b> Bowl Assembly: Metal Bowl, Automatic Float Drain, O-ring	N34-15-178
<b>D</b> Bowl Assembly: Poly Bowl, Manual Petcock Drain, O-ring*	N32-15-167
<b>D</b> Bowl Assembly: Poly Bowl, Automatic Float Drain, O-ring*	N32-15-035
<b>E</b> Manual Petcock Drain (Metal Bowl)	PC-03
<b>E</b> Manual Petcock Drain (Poly Bowl)	N32-95-182
<b>F</b> Automatic Float Drain (Metal Bowl)	N32-95-979
<b>F</b> Automatic Float Drain (Poly Bowl)	N32-95-973
<b>G</b> Bowl O-ring	N32-95-256
Mounting Bracket (Optional)	N32-95-734



# Order Guide

Drain Type	Port Size	Model Number					Dimensions (in.)	
		Metal Bowl			Poly Bowl		Height**	
		Low Flow	Med Flow	High Flow	Low Flow	Med Flow	Metal	Poly
Manual	1/2"	3C-091-M04-P	3C-151-M04-P	3C-251-M04-P	3C-091-P04-P	3C-151-P04-P	17.4	14.3
	3/4"	3C-091-M06-P	3C-151-M06-P	3C-251-M06-P	3C-091-P06-P	3C-151-P06-P	Width	Depth
	1"	3C-091-M08-P	3C-151-M08-P	3C-251-M08-P	3C-091-P08-P	3C-151-P08-P	4.6	4.8
Automatic	1/2"	3C-091-M04-F	3C-151-M04-F	3C-251-M04-F	3C-091-P04-F	3C-151-P04-F	Height**	
	3/4"	3C-091-M06-F	3C-151-M06-F	3C-251-M06-F	3C-091-P06-F	3C-151-P06-F	Metal	Poly
	1"	3C-091-M08-F	3C-151-M08-F	3C-251-M08-F	3C-091-P08-F	3C-151-P08-F	17.3	14.7

\*Poly bowls come with metal bowl guard

\*\*To add an indicator, add "i" to end of model number (Indicator adds about 1" to height)

# Specifications

<b>Port Sizes</b>	1/4", 3/8", 1/2"
<b>Thread Styles</b>	NPT, BSPT, BSPP
<b>Flow Capacity</b>	60 SCFM @ 100 PSI
<b>Filter Capacity</b>	1.0 micron & larger, Activated Carbon Oil Adsorption to 0.003 PPM Hydrocarbons < 3.0 PSID at rated flow
<b>Differential Pressure</b>	
<b>Max. Temp./Pressure (Aluminum Bowl)</b>	175 °F/200 PSIG
<b>Max. Temp./Pressure (Polycarbonate Bowl)</b>	125 °F/150 PSIG
<b>Approx. Weight (lb.)</b>	3.5
<b>ISO Class</b>	2 Particulate/Oil

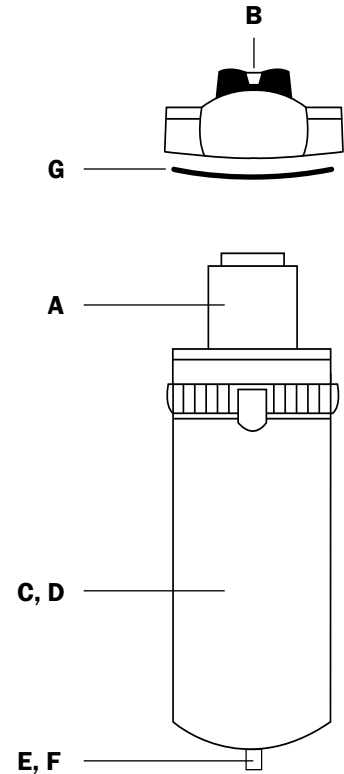
For higher pressure applications, consult factory. Units equipped with differential pressure indicator have max. temperature and pressure of 125 °F and 150 PSIG, regardless of bowl material.



**Water**  
**Dirt**  
**Oil**  
**Oil Vapor**  
**Odor**

# Replacement Parts & Accessories

Description	Part Number
<b>A</b> Replacement Element	4P-060
<b>B</b> Differential Pressure Indicator	N32-W1-DPi
<b>B</b> Blanking Cap (Cover for units without indicator)	N32-95-020
<b>C</b> Bowl Assembly: Metal Bowl, Manual Petcock Drain, O-ring	N34-95-205
<b>C</b> Bowl Assembly: Metal Bowl, Automatic Float Drain, O-ring	N34-95-201
<b>D</b> Bowl Assembly: Poly Bowl, Manual Petcock Drain, O-ring*	N32-15-163
<b>D</b> Bowl Assembly: Poly Bowl, Automatic Float Drain, O-ring*	N32-15-165
<b>E</b> Manual Petcock Drain (Metal Bowl)	PC-02
<b>E</b> Manual Petcock Drain (Poly Bowl)	N32-95-182
<b>F</b> Automatic Float Drain (Metal Bowl)	N32-95-979
<b>F</b> Automatic Float Drain (Poly Bowl)	N32-95-973
<b>G</b> Bowl O-ring	N32-95-257
Mounting Bracket (Optional)	BK-1



# Order Guide

Drain Type	Port Size	Model Number		Dimensions (in.)			
		Metal Bowl	Poly Bowl	Height**		Width	Depth
				Metal	Poly		
Manual	1/4"	4P-060-M02-P	4P-060-P02-P	10.0	10.0	3.9	3.9
	3/8"	4P-060-M03-P	4P-060-P03-P	10.0	10.0	3.9	3.9
	1/2"	4P-060-M04-P	4P-060-P04-P	10.0	10.0	3.9	3.9
Automatic	1/4"	4P-060-M02-F	4P-060-P02-F	10.0	10.5	3.9	3.9
	3/8"	4P-060-M03-F	4P-060-P03-F	10.0	10.5	3.9	3.9
	1/2"	4P-060-M04-F	4P-060-P04-F	10.0	10.5	3.9	3.9

\*Poly bowls come with metal bowl guard

\*\*To add an indicator, add "i" to end of model number (Indicator adds about 1" to height)

# Specifications

<b>Port Sizes</b>	1/2", 3/4", 1"
<b>Thread Styles</b>	NPT, BSPT, BSPP
<b>Flow Capacity</b>	90/150 SCFM @ 100 PSI
<b>Filter Capacity</b>	1.0 micron & larger, Activated Carbon Oil Adsorption to 0.003 PPM Hydrocarbons < 3.0 PSID at rated flow
<b>Differential Pressure</b>	
<b>Max. Temp./Pressure (Aluminum Bowl)</b>	175 °F/200 PSIG
<b>Max. Temp./Pressure (Polycarbonate Bowl)</b>	125 °F/150 PSIG
<b>Approx. Weight (lb.)</b>	6.0
<b>ISO Class</b>	2 Particulate/Oil

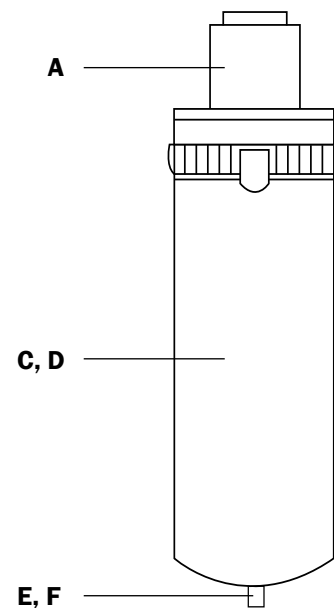
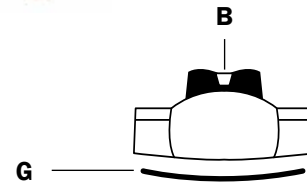
For higher pressure applications, consult factory. Units equipped with differential pressure indicator have max. temperature and pressure of 125 °F and 150 PSIG, regardless of bowl material.



**Water**  
**Dirt**  
**Oil**  
**Oil Vapor**  
**Odor**

# Replacement Parts & Accessories

Description	Part Number
<b>A</b> Replacement Element	4P-090/4P-150
<b>B</b> Differential Pressure Indicator	N32-W1-DPI
<b>B</b> Blanking Cap (Cover for units without indicator)	N32-95-020
<b>C</b> Bowl Assembly: Metal Bowl, Manual Petcock Drain, O-ring	N34-15-180
<b>C</b> Bowl Assembly: Metal Bowl, Automatic Float Drain, O-ring	N34-15-178
<b>D</b> Bowl Assembly: Poly Bowl, Manual Petcock Drain, O-ring*	N32-15-167
<b>D</b> Bowl Assembly: Poly Bowl, Automatic Float Drain, O-ring*	N32-15-035
<b>E</b> Manual Petcock Drain (Metal Bowl)	PC-03
<b>E</b> Manual Petcock Drain (Poly Bowl)	N32-95-182
<b>F</b> Automatic Float Drain (Metal Bowl)	N32-95-979
<b>F</b> Automatic Float Drain (Poly Bowl)	N32-95-973
<b>G</b> Bowl O-ring	N32-95-256
Mounting Bracket (Optional)	N32-95-734



# Order Guide

Drain Type	Port Size	Model Number				Dimensions (in.)	
		Metal Bowl		Poly Bowl		Height**	
		Low Flow	Med Flow	Low Flow	Med Flow	Metal	Poly
Manual	1/2"	4P-090-M04-P	4P-150-M04-P	4P-090-P04-P	4P-150-P04-P	17.0	14.0
	3/4"	4P-090-M06-P	4P-150-M06-P	4P-090-P06-P	4P-150-P06-P	<b>Width</b>	<b>Depth</b>
	1"	4P-090-M08-P	4P-150-M08-P	4P-090-P08-P	4P-150-P08-P	4.6	4.8
Automatic	1/2"	4P-090-M04-F	4P-150-M04-F	4P-090-P04-F	4P-150-P04-F	Height**	
	3/4"	4P-090-M06-F	4P-150-M06-F	4P-090-P06-F	4P-150-P06-F	<b>Metal</b>	<b>Poly</b>
	1"	4P-090-M08-F	4P-150-M08-F	4P-090-P08-F	4P-150-P08-F	17.0	14.5

\*Poly bowls come with metal bowl guard

\*\*To add an indicator, add "I" to end of model number (Indicator adds about 1" to height)

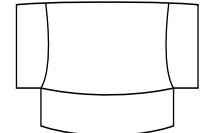
# Specifications

<b>Port Sizes</b>	1¼", 2", 3"
<b>Thread Styles</b>	NPT, BSPT, BSPP
<b>Flow Capacity</b>	300/700/1200 SCFM @ 100 PSI
<b>Filter Capacity</b>	0.01 micron & larger
<b>Differential Pressure</b>	< 1.5 PSID at rated flow
<b>Max. Temp./Pressure (Aluminum Bowl)</b>	175 °F/200 PSIG
<b>Approx. Weight (lb.)</b>	30.0
<b>ISO Class</b>	1 Particulate/Oil

For higher pressure applications, consult factory. Units equipped with differential pressure indicator have max. temperature and pressure of 125 °F and 150 PSIG, regardless of bowl material.



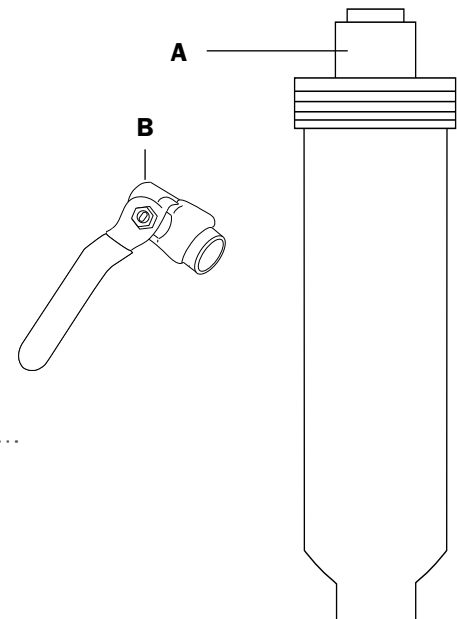
**Water**  
**Dirt**  
**Oil**  
**Oil Vapor**  
**Odor**



C —

# Replacement Parts & Accessories

Description	Part Number
<b>A</b> Replacement Element	6C-300/6C-700/6C-1200
<b>B</b> Manual Drain, Ball Valve	BV-051
<b>C</b> Bowl O-ring	N32-F35-OR
<b>C</b> Bowl O-ring (For 1200 SCFM units)	PHC-032



# Order Guide

Drain Type	Port Size	Model Number			Dimensions (in.)		
		Low Flow	Med Flow	High Flow	Height*	Width	Depth
Manual	1¼"	6C-300-M10-P	6C-700-M10-P	-	32.0	8.0	8.0
	2"	6C-300-M12-P	6C-700-M12-P	-	32.0	8.0	8.0
	3"	6C-300-M16-P	6C-700-M16-P	6C-1200-M24-P	40.0	8.0	8.0
External Automatic	1¼"	6C-300-M10-F	6C-700-M10-F	-	32.0	8.0	8.0
	2"	6C-300-M12-F	6C-700-M12-F	-	32.0	8.0	8.0
	3"	6C-300-M16-F	6C-700-M16-F	6C-1200-M24-F	40.0	8.0	8.0

# Specifications

<b>Port Sizes</b>	1/4", 3/8", 1/2"
<b>Thread Styles</b>	NPT, BSPT, BSPP
<b>Flow Capacity</b>	60 SCFM @ 100 PSI
<b>Filter Capacity</b>	0.01 micron & larger, Activated Carbon Oil Adsorption to 0.003 PPM Hydrocarbons
	< 5.0 PSID at rated flow
<b>Differential Pressure</b>	
<b>Max. Temp./Pressure (Aluminum Bowl)</b>	175 °F/200 PSIG
<b>Max. Temp./Pressure (Polycarbonate Bowl)</b>	125 °F/150 PSIG
<b>Approx. Weight (lb.)</b>	7.0
<b>ISO Class</b>	1 Particulate/Oil

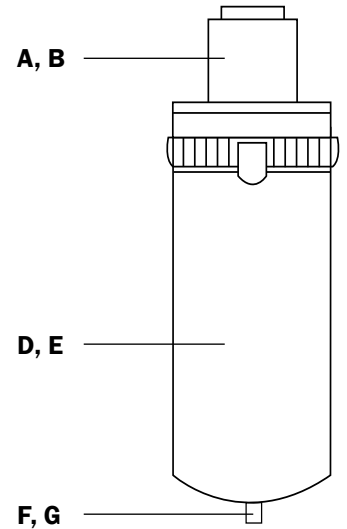
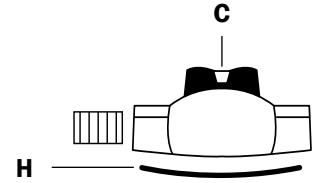
For higher pressure applications, consult factory. Units equipped with differential pressure indicator have max. temperature and pressure of 125 °F and 150 PSIG, regardless of bowl material.



**Water**  
**Dirt**  
**Oil**  
**Oil Vapor**  
**Odor**

# Replacement Parts & Accessories

Description	Part Number
<b>A</b> Replacement Element, 1st Stage	4P-060
<b>B</b> Replacement Element, 2nd Stage	3C-060
<b>C</b> Differential Pressure Indicator	N32-W1-DPi
<b>C</b> Blanking Cap (Cover for units without indicator)	N32-95-020
<b>D</b> Bowl Assembly: Metal Bowl, Manual Petcock Drain, O-ring	N34-95-205
<b>D</b> Bowl Assembly: Metal Bowl, Automatic Float Drain, O-ring	N32-95-201
<b>E</b> Bowl Assembly: Poly Bowl, Manual Petcock Drain, O-ring*	N32-15-163
<b>E</b> Bowl Assembly: Poly Bowl, Automatic Float Drain, O-ring*	N32-15-165
<b>F</b> Manual Petcock Drain (Metal Bowl)	PC-02
<b>F</b> Manual Petcock Drain (Poly Bowl)	N32-95-182
<b>G</b> Automatic Float Drain (Metal Bowl)	N32-95-979
<b>G</b> Automatic Float Drain (Poly Bowl)	N32-95-973
<b>H</b> Bowl O-ring	N32-95-257
Mounting Bracket (Optional)	BK-1



# Order Guide

Drain Type	Port Size	Model Number		Dimensions (in.)			
		Metal Bowl	Poly Bowl	Height**		Width	Depth
				Metal	Poly		
Manual	1/4"	4P-060-M02-DCP	4P-060-P02-DCP	10.0	10.0	8.0	3.9
	3/8"	4P-060-M03-DCP	4P-060-P03-DCP	10.0	10.0	8.0	3.9
	1/2"	4P-060-M04-DCP	4P-060-P04-DCP	10.0	10.0	8.0	3.9
Automatic	1/4"	4P-060-M02-DC	4P-060-P02-DC	10.0	10.5	8.0	3.9
	3/8"	4P-060-M03-DC	4P-060-P03-DC	10.0	10.5	8.0	3.9
	1/2"	4P-060-M04-DC	4P-060-P04-DC	10.0	10.5	8.0	3.9

\*Poly bowls come with metal bowl guard

\*\*To add an indicator, add "I" to end of model number (Indicator adds about 1" to height)

# Specifications

<b>Port Sizes</b>	1/2", 3/4", 1"
<b>Thread Styles</b>	NPT, BSPT, BSPP
<b>Flow Capacity</b>	90/150 SCFM @ 100 PSI
<b>Filter Capacity</b>	0.01 micron & larger, Activated Carbon Oil Adsorption to 0.003 PPM Hydrocarbons
<b>Differential Pressure</b>	< 5.0 PSID at rated flow
<b>Max. Temp./Pressure (Aluminum Bowl)</b>	175 °F/200 PSIG
<b>Max. Temp./Pressure (Polycarbonate Bowl)</b>	125 °F/150 PSIG
<b>Approx. Weight (lb.)</b>	12.0
<b>ISO Class</b>	1 Particulate/Oil

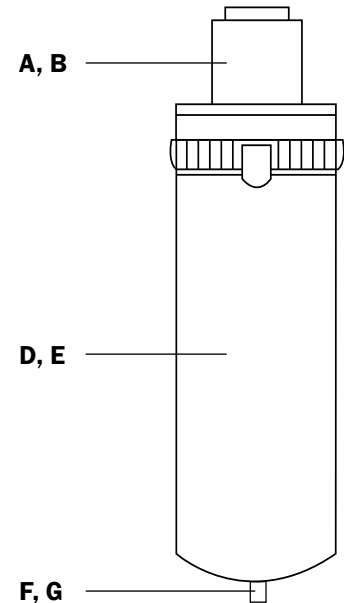
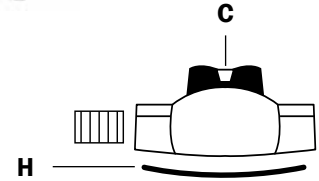
For higher pressure applications, consult factory. Units equipped with differential pressure indicator have max. temperature and pressure of 125 °F and 150 PSIG, regardless of bowl material.



**Water**  
**Dirt**  
**Oil**  
**Oil Vapor**  
**Odor**

# Replacement Parts & Accessories

Description	Part Number
<b>A</b> Replacement Element, 1st Stage	4P-090/4P-150
<b>B</b> Replacement Element, 2nd Stage	3C-090/3C-150
<b>C</b> Differential Pressure Indicator	N32-W1-DPI
<b>C</b> Blanking Cap (Cover for units without indicator)	N32-95-020
<b>D</b> Bowl Assembly: Metal Bowl, Manual Petcock Drain, O-ring	N34-15-180
<b>D</b> Bowl Assembly: Metal Bowl, Automatic Float Drain, O-ring	N34-15-178
<b>E</b> Bowl Assembly: Poly Bowl, Manual Petcock Drain, O-ring*	N32-15-167
<b>E</b> Bowl Assembly: Poly Bowl, Automatic Float Drain, O-ring*	N32-15-035
<b>F</b> Manual Petcock Drain (Metal Bowl)	PC-03
<b>F</b> Manual Petcock Drain (Poly Bowl)	N32-95-182
<b>G</b> Automatic Float Drain (Metal Bowl)	N32-95-979
<b>G</b> Automatic Float Drain (Poly Bowl)	N32-95-973
<b>H</b> Bowl O-ring	N32-95-256
Mounting Bracket (Optional)	N32-95-734



# Order Guide

Drain Type	Port Size	Model Number				Dimensions (in.)	
		Metal Bowl		Poly Bowl		Height**	
		Low Flow	Med Flow	Low Flow	Med Flow	Metal	Poly
Manual	1/2"	4P-090-M04-DCP	4P-150-M04-DCP	4P-090-P04-DCP	4P-150-P04-DCP	17.0	14.0
	3/4"	4P-090-M06-DCP	4P-150-M06-DCP	4P-090-P06-DCP	4P-150-P06-DCP	<b>Width</b>	<b>Depth</b>
	1"	4P-090-M08-DCP	4P-150-M08-DCP	4P-090-P08-DCP	4P-150-P08-DCP	10.0	4.8
Automatic	1/2"	4P-090-M04-DC	4P-150-M04-DC	4P-090-P04-DC	4P-150-P04-DC	Height**	
	3/4"	4P-090-M06-DC	4P-150-M06-DC	4P-090-P06-DC	4P-150-P06-DC	<b>Metal</b>	<b>Poly</b>
	1"	4P-090-M08-DC	4P-150-M08-DC	4P-090-P08-DC	4P-150-P08-DC	17.0	14.5

\*Poly bowls come with metal bowl guard

\*\*To add an indicator, add "I" to end of model number (Indicator adds about 1" to height)

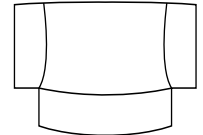
# Specifications

<b>Port Sizes</b>	1¼", 2", 3"
<b>Thread Styles</b>	NPT, BSPT, BSPP
<b>Flow Capacity</b>	300/700/1200 SCFM @ 100 PSI
<b>Filter Capacity</b>	0.01 micron & larger
<b>Differential Pressure</b>	< 2.5 PSID at rated flow
<b>Max. Temp./Pressure (Aluminum Bowl)</b>	175 ° F/200 PSIG
<b>Approx. Weight (lb.)</b>	60.0
<b>ISO Class</b>	1 Particulate/Oil

For higher pressure applications, consult factory. Units equipped with differential pressure indicator have max. temperature and pressure of 125 ° F and 150 PSIG, regardless of bowl material.



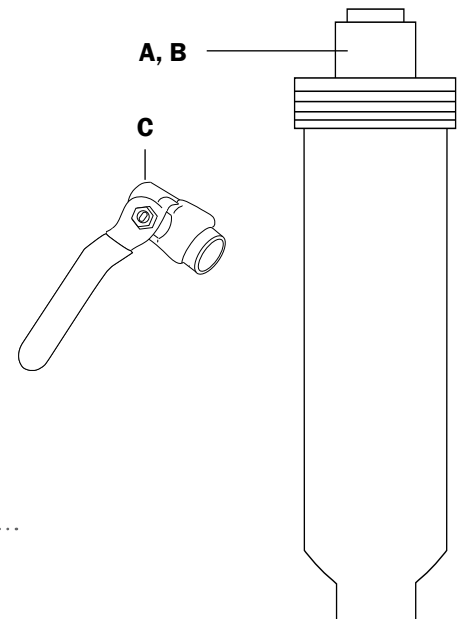
**Water**  
**Dirt**  
**Oil**  
**Oil Vapor**  
**Odor**



D

# Replacement Parts & Accessories

Description	Part Number
<b>A</b> Replacement Element, 1st Stage	3C-300/3C-700/3C-1200
<b>B</b> Replacement Element, 2nd Stage	6C-300/6C-700/6C-1200
<b>C</b> Manual Drain, Ball Valve	BV-051
<b>D</b> Bowl O-ring	N32-F35-OR
<b>D</b> Bowl O-ring (For 1200 SCFM units)	PHC-032



# Order Guide

Drain Type	Port Size	Model Number			Dimensions (in.)		
		Low Flow	Med Flow	High Flow	Height*	Width	Depth
Manual	1¼"	6C-300-M10-DCP	6C-700-M10-DCP	-	32.0	17.0	8.0
	2"	6C-300-M12-DCP	6C-700-M12-DCP	-	32.0	17.0	8.0
	3"	6C-300-M16-DCP	6C-700-M16-DCP	6C-1200-M24-DCP	40.0	17.0	8.0
External Automatic	1¼"	6C-300-M10-DC	6C-700-M10-DC	-	32.0	17.0	8.0
	2"	6C-300-M12-DC	6C-700-M12-DC	-	32.0	17.0	8.0
	3"	6C-300-M16-DC	6C-700-M16-DC	6C-1200-M24-DC	40.0	17.0	8.0



# Specifications

<b>Port Sizes</b>	1/4", 3/8", 1/2"
<b>Thread Styles</b>	NPT, BSPT, BSPP
<b>Flow Capacity</b>	20/60 SCFM @ 100 PSI
<b>Filter Capacity</b>	0.01 micron & larger, Activated Carbon Oil Adsorption to 0.003 PPM Hydrocarbons
<b>Differential Pressure</b>	<1.5 PSID / < 5.0 PSID at rated flow
<b>Max. Temp./Pressure (Aluminum Bowl)</b>	175 °F/200 PSIG
<b>Max. Temp./Pressure (Polycarbonate Bowl)</b>	125 °F/150 PSIG
<b>Approx. Weight (lb.)</b>	2.0/7.0
<b>ISO Class</b>	1 Particulate/Oil

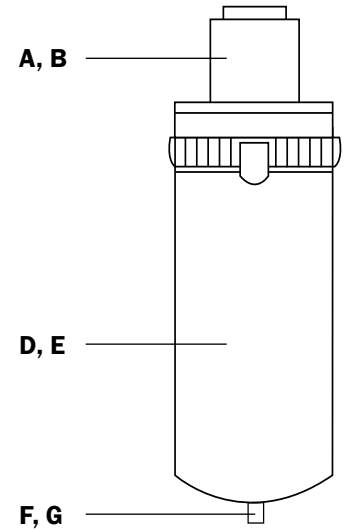
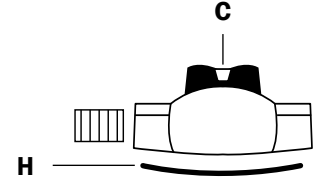
For higher pressure applications, consult factory. Units equipped with differential pressure indicator have max. temperature and pressure of 125 °F and 150 PSIG, regardless of bowl material.



**Water**  
**Dirt**  
**Oil**  
**Oil Vapor**  
**Odor**

# Replacement Parts & Accessories

Description	Part Number
<b>A</b> Replacement Element, 1st Stage	4P-060
<b>B</b> Replacement Element, 2nd Stage	3C-061
<b>C</b> Differential Pressure Indicator	N32-W1-DPi
<b>C</b> Blanking Cap (Cover for units without indicator)	N32-95-020
<b>D</b> Bowl Assembly: Metal Bowl, Manual Petcock Drain, O-ring	N34-95-205
<b>D</b> Bowl Assembly: Metal Bowl, Automatic Float Drain, O-ring	N32-95-201
<b>E</b> Bowl Assembly: Poly Bowl, Manual Petcock Drain, O-ring*	N32-15-163
<b>E</b> Bowl Assembly: Poly Bowl, Automatic Float Drain, O-ring*	N32-15-165
<b>F</b> Manual Petcock Drain (Metal Bowl)	PC-02
<b>F</b> Manual Petcock Drain (Poly Bowl)	N32-95-182
<b>G</b> Automatic Float Drain (Metal Bowl)	N32-95-979
<b>H</b> Bowl O-ring	N32-95-257
Mounting Bracket (Optional)	BK-1



# Order Guide

Drain Type	Port Size	Model Number		Dimensions (in.)			
		Metal Bowl	Poly Bowl	Height**		Width	Depth
				Metal	Poly		
Manual	1/4"	4P-061-M02-DCP	4P-061-P02-DCP	10.0	10.0	8.0	3.9
	3/8"	4P-061-M03-DCP	4P-061-P03-DCP	10.0	10.0	8.0	3.9
	1/2"	4P-061-M04-DCP	4P-061-P04-DCP	10.0	10.0	8.0	3.9
Automatic	1/4"	4P-061-M02-DC	4P-061-P02-DC	10.0	10.5	8.0	3.9
	3/8"	4P-061-M03-DC	4P-061-P03-DC	10.0	10.5	8.0	3.9
	1/2"	4P-061-M04-DC	4P-061-P04-DC	10.0	10.5	8.0	3.9

\*Poly bowls come with metal bowl guard

\*\*To add an indicator, add "i" to end of model number (Indicator adds about 1" to height)



# Specifications

<b>Port Sizes</b>	1/2", 3/4", 1"
<b>Thread Styles</b>	NPT, BSPT, BSPP
<b>Flow Capacity</b>	90/150 SCFM @ 100 PSI
<b>Filter Capacity</b>	0.01 micron & larger, Activated Carbon Oil Adsorption to 0.003 PPM Hydrocarbons
<b>Differential Pressure</b>	< 5.0 PSID at rated flow
<b>Max. Temp./Pressure (Aluminum Bowl)</b>	175 °F/200 PSIG
<b>Max. Temp./Pressure (Polycarbonate Bowl)</b>	125 °F/150 PSIG
<b>Approx. Weight (lb.)</b>	12.0
<b>ISO Class</b>	1 Particulate/Oil

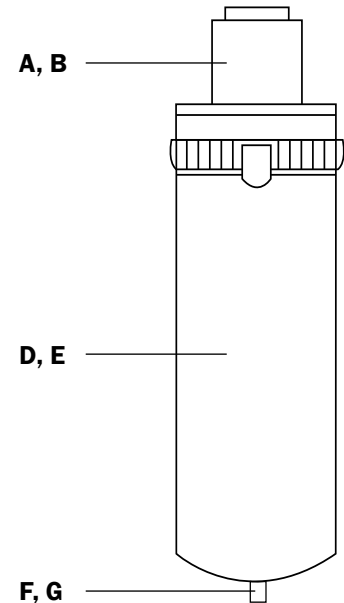
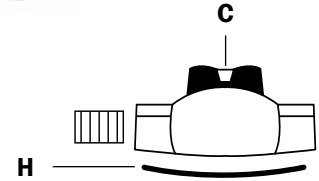
For higher pressure applications, consult factory. Units equipped with differential pressure indicator have max. temperature and pressure of 125 °F and 150 PSIG, regardless of bowl material.



**Water**  
**Dirt**  
**Oil**  
**Oil Vapor**  
**Odor**

# Replacement Parts & Accessories

Description	Part Number
<b>A</b> Replacement Element, 1st Stage	4P-090/4P-150
<b>B</b> Replacement Element, 2nd Stage	3C-091/3C-151
<b>C</b> Differential Pressure Indicator	N32-W1-DPI
<b>C</b> Blanking Cap (Cover for units without indicator)	N32-95-020
<b>D</b> Bowl Assembly: Metal Bowl, Manual Petcock Drain, O-ring	N34-15-180
<b>D</b> Bowl Assembly: Metal Bowl, Automatic Float Drain, O-ring	N34-15-178
<b>E</b> Bowl Assembly: Poly Bowl, Manual Petcock Drain, O-ring*	N32-15-167
<b>E</b> Bowl Assembly: Poly Bowl, Automatic Float Drain, O-ring*	N32-15-035
<b>F</b> Manual Petcock Drain (Metal Bowl)	PC-03
<b>F</b> Manual Petcock Drain (Poly Bowl)	N32-95-182
<b>G</b> Automatic Float Drain (Metal Bowl)	N32-95-979
<b>G</b> Automatic Float Drain (Poly Bowl)	N32-95-973
<b>H</b> Bowl O-ring	N32-95-256
Mounting Bracket (Optional)	N32-95-734



# Order Guide

Drain Type	Port Size	Model Number				Dimensions (in.)	
		Metal Bowl		Poly Bowl		Height**	
		Low Flow	Med Flow	Low Flow	Med Flow	Metal	Poly
Manual	1/2"	4P-091-M04-DCP	4P-151-M04-DCP	4P-091-P04-DCP	4P-151-P04-DCP	17.0	14.0
	3/4"	4P-091-M06-DCP	4P-151-M06-DCP	4P-091-P06-DCP	4P-151-P06-DCP	<b>Width</b>	<b>Depth</b>
	1"	4P-091-M08-DCP	4P-151-M08-DCP	4P-091-P08-DCP	4P-151-P08-DCP	10.0	4.8
Automatic	1/2"	4P-091-M04-DC	4P-151-M04-DC	4P-091-P04-DC	4P-151-P04-DC	<b>Height**</b>	
	3/4"	4P-091-M06-DC	4P-151-M06-DC	4P-091-P06-DC	4P-151-P06-DC	<b>Metal</b>	<b>Poly</b>
	1"	4P-091-M08-DC	4P-151-M08-DC	4P-091-P08-DC	4P-151-P08-DC	17.0	14.5

\*Poly bowls come with metal bowl guard

\*\*To add an indicator, add "I" to end of model number (Indicator adds about 1" to height)

# Specifications

<b>Port Sizes</b>	3/8", 1/2", 3/4", 1"
<b>Thread Styles</b>	NPT, BSPT, BSPP
<b>Flow Capacity</b>	60/120/175 SCFM @ 100 PSI
<b>Filter Capacity</b>	3.0 micron & larger
<b>Differential Pressure</b>	< 5.0 PSID at rated flow
<b>Max. Temp./Pressure (Aluminum Bowl)</b>	175 °F/200 PSIG
<b>Approx. Weight (lb.)</b>	3.5/6.0/6.0
<b>ISO Class</b>	3 Particulate

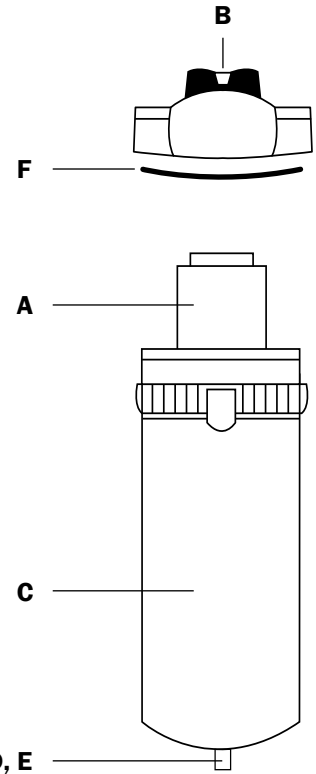


**Water**  
**Dirt**  
**Oil**  
**Oil Vapor**  
**Odor**

For higher pressure applications, consult factory. Units equipped with differential pressure indicator have max. temperature and pressure of 125 °F and 150 PSIG, regardless of bowl material.

# Replacement Parts & Accessories

Description	Part Number
<b>A</b> Replacement Element	1P-060/1P-120/1P-175
<b>B</b> Differential Pressure Indicator	N32-W1-DPi-FG
<b>B</b> Blanking Cap (Cover for units without indicator)	N32-95-020-FG
<b>C</b> Bowl Assembly: Metal Bowl, Manual Petcock Drain, O-ring (60)	N34-95-205-FG
<b>C</b> Bowl Assembly: Metal Bowl, Automatic Float Drain, O-ring (60)	N34-95-195-FG
<b>C</b> Bowl Assembly: Metal Bowl, Manual Petcock Drain, O-ring (120/175)	N34-15-180-FG
<b>C</b> Bowl Assembly: Metal Bowl, Automatic Float Drain, O-ring (120/175)	N34-15-185-FG
<b>D</b> Manual Petcock Drain	PC-03
<b>E</b> Automatic Float Drain	N32-95-973-FG
<b>F</b> Bowl O-ring (60)	N32-95-257
<b>F</b> Bowl O-ring (120/175)	N32-95-256



# Order Guide

Drain Type	Port Size	Model Number	Dimensions (in.)		
			Height*	Width	Depth
Manual	3/8"	1P-060-F03-P	10.0	3.9	3.9
	1/2"	1P-060-F04-P	10.0	3.9	3.9
	3/4"	1P-120-F06-P	17.0	4.6	4.8
	1"	1P-175-F08-P	17.0	4.6	4.8
Automatic	3/8"	1P-060-F03-F	10.0	3.9	3.9
	1/2"	1P-060-F04-F	10.0	3.9	3.9
	3/4"	1P-120-F06-F	17.0	4.6	4.8
	1"	1P-175-F08-F	17.0	4.6	4.8

Food Grade certified non-toxic powder coated filters meet requirements of 21 CFR 100. Coating ingredients meet at least one section of FDA Title 21, with the exception of food items containing 8% alcohol.

\*To add an indicator, add "i" to end of model number (Indicator adds about 1" to height)

# Specifications

<b>Port Sizes</b>	3/8", 1/2", 3/4", 1"
<b>Thread Styles</b>	NPT, BSPT, BSPP
<b>Flow Capacity</b>	60/90/150 SCFM @ 100 PSI
<b>Filter Capacity</b>	0.01 micron & larger
<b>Differential Pressure</b>	< 5.0 PSID at rated flow
<b>Max. Temp./Pressure (Aluminum Bowl)</b>	175 °F/200 PSIG
<b>Approx. Weight (lb.)</b>	6.0/12.0/12.0
<b>ISO Class</b>	1 Particulate/Oil

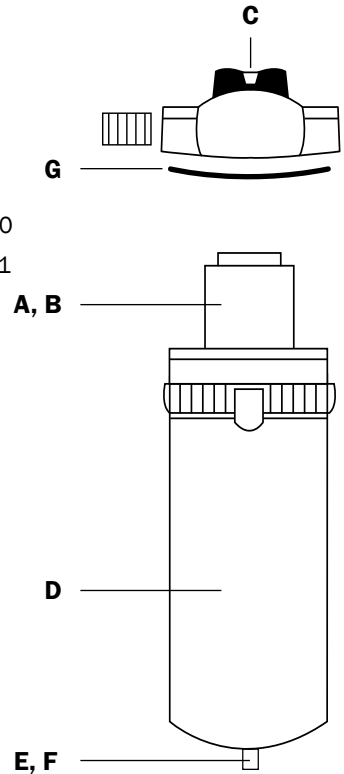


**Water**  
**Dirt**  
**Oil**  
**Oil Vapor**  
**Odor**

For higher pressure applications, consult factory. Units equipped with differential pressure indicator have max. temperature and pressure of 125 °F and 150 PSIG, regardless of bowl material.

# Replacement Parts & Accessories

Description	Part Number
<b>A</b> Replacement Element, 1st Stage	1P-060/1P-090/1P-150
<b>B</b> Replacement Element, 2nd Stage	3C-061/3C-091/3C-151
<b>C</b> Differential Pressure Indicator	N32-W1-DPi-FG
<b>C</b> Blanking Cap (Cover for units without indicator)	N32-95-020-FG
<b>D</b> Bowl Assembly: Metal Bowl, Manual Petcock Drain, O-ring (60)	N34-95-205-FG
<b>D</b> Bowl Assembly: Metal Bowl, Automatic Float Drain, O-ring (60)	N34-95-195-FG
<b>D</b> Bowl Assembly: Metal Bowl, Manual Petcock Drain, O-ring (90/150)	N34-15-180-FG
<b>D</b> Bowl Assembly: Metal Bowl, Automatic Float Drain, O-ring (90/150)	N34-15-185-FG
<b>E</b> Manual Petcock Drain	PC-03
<b>F</b> Automatic Float Drain	N32-95-973-FG
<b>G</b> Bowl O-ring (60)	N32-95-257
<b>G</b> Bowl O-ring (90/150)	N32-95-256



# Order Guide

Drain Type	Port Size	Model Number	Dimensions (in.)		
			Height*	Width	Depth
Manual	3/8"	1P-061-F03-DCP	10.0	8.0	3.9
	1/2"	1P-061-F04-DCP	10.0	8.0	3.9
	3/4"	1P-091-F06-DCP	17.0	10.0	4.8
	1"	1P-151-F08-DCP	17.0	10.0	4.8
Automatic	3/8"	1P-061-F03-DC	10.0	8.0	3.9
	1/2"	1P-061-F04-DC	10.0	8.0	3.9
	3/4"	1P-091-F06-DC	17.0	10.0	4.8
	1"	1P-151-F08-DC	17.0	10.0	4.8

Food Grade certified non-toxic powder coated filters meet requirements of 21 CFR 100. Coating ingredients meet at least one section of FDA Title 21, with the exception of food items containing 8% alcohol.

\*To add an indicator, add "i" to end of model number (Indicator adds about 1" to height)

# Specifications

<b>Port Sizes</b>	3/8", 1/2", 3/4", 1"
<b>Thread Styles</b>	NPT, BSPT, BSPP
<b>Flow Capacity</b>	60/90/150 SCFM @ 100 PSI
<b>Filter Capacity</b>	1.0 micron & larger
<b>Differential Pressure</b>	< 5.0 PSID at rated flow
<b>Max. Temp./Pressure (Aluminum Bowl)</b>	175 ° F/200 PSIG
<b>Approx. Weight (lb.)</b>	3.5/6.0/6.0
<b>ISO Class</b>	2 Particulate

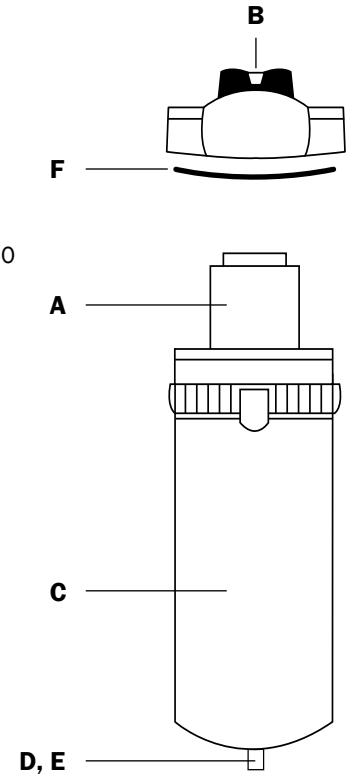


**Water**  
**Dirt**  
**Oil**  
**Oil Vapor**  
**Odor**

For higher pressure applications, consult factory. Units equipped with differential pressure indicator have max. temperature and pressure of 125 ° F and 150 PSIG, regardless of bowl material.

# Replacement Parts & Accessories

Description	Part Number
<b>A</b> Replacement Element	3P-060/3P-090/3P-150
<b>B</b> Differential Pressure Indicator	N32-W1-DPI-FG
<b>B</b> Blanking Cap (Cover for units without indicator)	N32-95-020-FG
<b>C</b> Bowl Assembly: Metal Bowl, Manual Petcock Drain, O-ring (60)	N34-95-205-FG
<b>C</b> Bowl Assembly: Metal Bowl, Automatic Float Drain, O-ring (60)	N34-95-195-FG
<b>C</b> Bowl Assembly: Metal Bowl, Manual Petcock Drain, O-ring (90/150)	N34-15-180-FG
<b>C</b> Bowl Assembly: Metal Bowl, Automatic Float Drain, O-ring (90/150)	N34-15-185-FG
<b>D</b> Manual Petcock Drain	PC-03
<b>E</b> Automatic Float Drain	N32-95-973-FG
<b>F</b> Bowl O-ring (60)	N32-95-257
<b>F</b> Bowl O-ring (90/150)	N32-95-256



# Order Guide

Drain Type	Port Size	Model Number	Dimensions (in.)		
			Height*	Width	Depth
Manual	3/8"	3P-060-F03-P	10.0	3.9	3.9
	1/2"	3P-060-F04-P	10.0	3.9	3.9
	3/4"	3P-090-F06-P	17.0	4.6	4.8
	1"	3P-150-F08-P	17.0	4.6	4.8
Automatic	3/8"	3P-060-F03-F	10.5	3.9	3.9
	1/2"	3P-060-F04-F	10.5	3.9	3.9
	3/4"	3P-090-F06-F	17.0	4.6	4.8
	1"	3P-150-F08-F	17.0	4.6	4.8

Food Grade certified non-toxic powder coated filters meet requirements of 21 CFR 100. Coating ingredients meet at least one section of FDA Title 21, with the exception of food items containing 8% alcohol.

\*To add an indicator, add "i" to end of model number (Indicator adds about 1" to height)

# Specifications

<b>Port Sizes</b>	3/8", 1/2", 3/4", 1"
<b>Thread Styles</b>	NPT, BSPT, BSPP
<b>Flow Capacity</b>	60/90/150 SCFM @ 100 PSI
<b>Filter Capacity</b>	0.01 micron & larger, Activated Carbon Oil Adsorption to 0.003 PPM Hydrocarbons
<b>Differential Pressure</b>	< 5.0 PSID at rated flow
<b>Max. Temp./Pressure (Aluminum Bowl)</b>	175 °F/200 PSIG
<b>Approx. Weight (lb.)</b>	7.0/12.0/12.0
<b>ISO Class</b>	1 Particulate/Oil

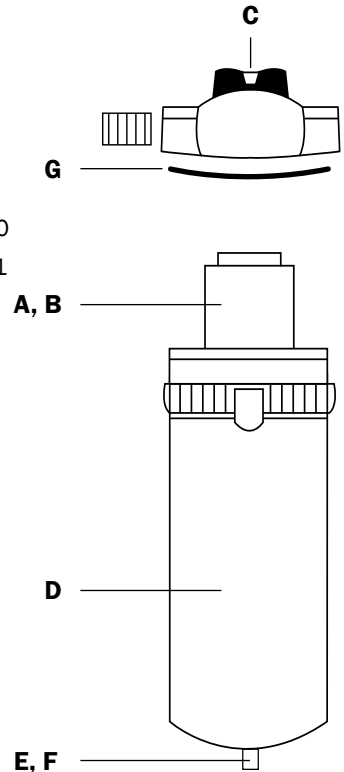


**Water**  
**Dirt**  
**Oil**  
**Oil Vapor**  
**Odor**

For higher pressure applications, consult factory. Units equipped with differential pressure indicator have max. temperature and pressure of 125 °F and 150 PSIG, regardless of bowl material.

# Replacement Parts & Accessories

Description	Part Number
<b>A</b> Replacement Element, 1st Stage	3P-060/3P-090/3P-150
<b>B</b> Replacement Element, 2nd Stage	3C-061/3C-091/3C-151
<b>C</b> Differential Pressure Indicator	N32-W1-DPi-FG
<b>C</b> Blanking Cap (Cover for units without indicator)	N32-95-020-FG
<b>D</b> Bowl Assembly: Metal Bowl, Manual Petcock Drain, O-ring (60)	N34-95-205-FG
<b>D</b> Bowl Assembly: Metal Bowl, Automatic Float Drain, O-ring (60)	N34-95-195-FG
<b>D</b> Bowl Assembly: Metal Bowl, Manual Petcock Drain, O-ring (90/150)	N34-15-180-FG
<b>D</b> Bowl Assembly: Metal Bowl, Automatic Float Drain, O-ring (90/150)	N34-15-185-FG
<b>E</b> Manual Petcock Drain	PC-03
<b>F</b> Automatic Float Drain	N32-95-973-FG
<b>G</b> Bowl O-ring (60)	N32-95-257
<b>G</b> Bowl O-ring (90/150)	N32-95-256



# Order Guide

Drain Type	Port Size	Model Number	Dimensions (in.)		
			Height*	Width	Depth
Manual	3/8"	3P-061-F03-DCP	10.0	8.0	3.9
	1/2"	3P-061-F04-DCP	10.0	8.0	3.9
	3/4"	3P-091-F06-DCP	17.0	10.0	4.8
	1"	3P-151-F08-DCP	17.0	10.0	4.8
Automatic	3/8"	3P-061-F03-DC	10.5	8.0	3.9
	1/2"	3P-061-F04-DC	10.5	8.0	3.9
	3/4"	3P-091-F06-DC	17.0	10.0	4.8
	1"	3P-151-F08-DC	17.0	10.0	4.8

Food Grade certified non-toxic powder coated filters meet requirements of 21 CFR 100. Coating ingredients meet at least one section of FDA Title 21, with the exception of food items containing 8% alcohol.

\*To add an indicator, add "i" to end of model number (Indicator adds about 1" to height)

# Specifications

<b>Port Sizes</b>	3/8", 1/2", 3/4", 1"
<b>Thread Styles</b>	NPT, BSPT, BSPP
<b>Flow Capacity</b>	60/90/150 SCFM @ 100 PSI
<b>Filter Capacity</b>	0.01 micron & larger, Activated Carbon Oil Adsorption to 0.003 PPM Hydrocarbons
<b>Differential Pressure</b>	< 5.0 PSID at rated flow
<b>Max. Temp./Pressure (Aluminum Bowl)</b>	175 °F/200 PSIG
<b>Approx. Weight (lb.)</b>	7.0/12.0/12.0
<b>ISO Class</b>	1 Particulate/Oil

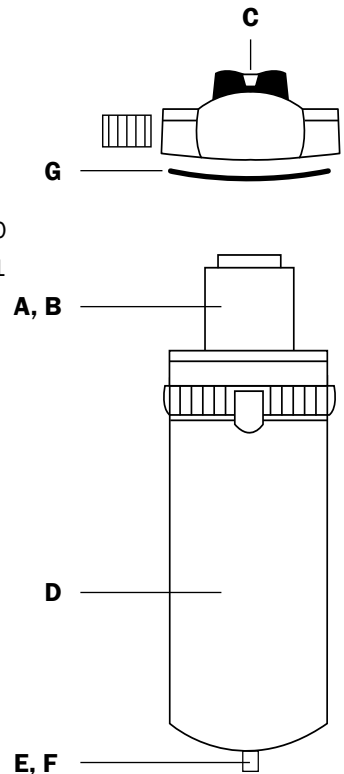


**Water**  
**Dirt**  
**Oil**  
**Oil Vapor**  
**Odor**

For higher pressure applications, consult factory. Units equipped with differential pressure indicator have max. temperature and pressure of 125 °F and 150 PSIG, regardless of bowl material.

# Replacement Parts & Accessories

Description	Part Number
<b>A</b> Replacement Element, 1st Stage	4P-060/4P-090/4P-150
<b>B</b> Replacement Element, 2nd Stage	3C-061/3C-091/3C-151
<b>C</b> Differential Pressure Indicator	N32-W1-DPi-FG
<b>C</b> Blanking Cap (Cover for units without indicator)	N32-95-020-FG
<b>D</b> Bowl Assembly: Metal Bowl, Manual Petcock Drain, O-ring (60)	N34-95-205-FG
<b>D</b> Bowl Assembly: Metal Bowl, Automatic Float Drain, O-ring (60)	N34-95-195-FG
<b>D</b> Bowl Assembly: Metal Bowl, Manual Petcock Drain, O-ring (90/150)	N34-15-180-FG
<b>D</b> Bowl Assembly: Metal Bowl, Automatic Float Drain, O-ring (90/150)	N34-15-185-FG
<b>E</b> Manual Petcock Drain	PC-03
<b>F</b> Automatic Float Drain	N32-95-973-FG
<b>G</b> Bowl O-ring (60)	N32-95-257
<b>G</b> Bowl O-ring (90/150)	N32-95-256



# Order Guide

Drain Type	Port Size	Model Number	Dimensions (in.)		
			Height*	Width	Depth
Manual	3/8"	4P-061-F03-DCP	10.0	8.0	3.9
	1/2"	4P-061-F04-DCP	10.0	8.0	3.9
	3/4"	4P-091-F06-DCP	17.0	10.0	4.8
	1"	4P-151-F08-DCP	17.0	10.0	4.8
Automatic	3/8"	4P-061-F03-DC	10.5	8.0	3.9
	1/2"	4P-061-F04-DC	10.5	8.0	3.9
	3/4"	4P-091-F06-DC	17.0	10.0	4.8
	1"	4P-151-F08-DC	17.0	10.0	4.8

Food Grade certified non-toxic powder coated filters meet requirements of 21 CFR 100. Coating ingredients meet at least one section of FDA Title 21, with the exception of food items containing 8% alcohol.

\*To add an indicator, add "i" to end of model number (Indicator adds about 1" to height)

# Specifications

<b>Port Sizes</b>	3/8", 1/2", 3/4", 1"
<b>Thread Styles</b>	NPT
<b>Flow Capacity</b>	60/90/150 SCFM @ 100 PSI
<b>Filter Capacity</b>	0.01 micron & larger
<b>Differential Pressure</b>	< 1.5 PSID at rated flow
<b>Max. Temp./Pressure (Aluminum Bowl)</b>	125 °F/150 PSIG
<b>Approx. Weight (lb.)</b>	3.5/6.0/6.0
<b>ISO Class</b>	1 Particulate/Oil

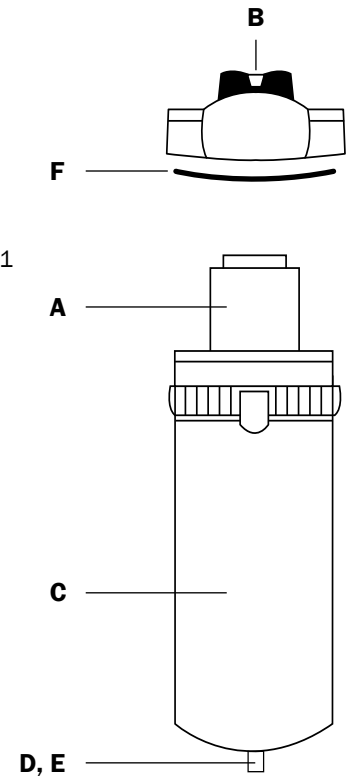


Water  
Dirt  
Oil  
Oil Vapor  
Odor

For higher pressure applications, consult factory. Units equipped with differential pressure indicator have max. temperature and pressure of 125 °F and 150 PSIG, regardless of bowl material.

## Replacement Parts & Accessories

Description	Part Number
<b>A</b> Replacement Element	3C-061/3C-091/3C-151
<b>B</b> Differential Pressure Indicator	N32-W1-DPI-FG
<b>B</b> Blanking Cap (Cover for units without indicator)	N32-95-020-FG
<b>C</b> Bowl Assembly: Metal Bowl, Manual Petcock Drain, O-ring (60)	N34-95-205-FG
<b>C</b> Bowl Assembly: Metal Bowl, Automatic Float Drain, O-ring (60)	N34-95-195-FG
<b>C</b> Bowl Assembly: Metal Bowl, Manual Petcock Drain, O-ring (90/150)	N34-15-180-FG
<b>C</b> Bowl Assembly: Metal Bowl, Automatic Float Drain, O-ring (90/150)	N34-15-185-FG
<b>D</b> Manual Petcock Drain	PC-03
<b>E</b> Automatic Float Drain	N32-95-973-FG
<b>F</b> Bowl O-ring (60)	N32-95-257
<b>F</b> Bowl O-ring (90/150)	N32-95-256



## Order Guide

Drain Type	Port Size	Model Number	Dimensions (in.)		
			Height*	Width	Depth
Manual	3/8"	3C-061-F03-P	10.0	3.9	3.9
	1/2"	3C-061-F04-P	10.0	3.9	3.9
	3/4"	3C-091-F06-P	17.0	4.6	4.8
	1"	3C-151-F08-P	17.0	4.6	4.8
Automatic	3/8"	3C-061-F03-F	10.5	3.9	3.9
	1/2"	3C-061-F04-F	10.5	3.9	3.9
	3/4"	3C-091-F06-F	17.0	4.6	4.8
	1"	3C-151-F08-F	17.0	4.6	4.8

Food Grade certified non-toxic powder coated filters meet requirements of 21 CFR 100. Coating ingredients meet at least one section of FDA Title 21, with the exception of food items containing 8% alcohol.

\*To add an indicator, add "i" to end of model number (Indicator adds about 1" to height)

# Specifications

<b>Port Sizes</b>	½", 1"
<b>Thread Styles</b>	NPT
<b>Flow Capacity</b>	60/120/175 SCFM @ 100 PSI
<b>Filter Capacity</b>	1.0 micron & larger
<b>Differential Pressure</b>	< 3.0 PSID at rated flow
<b>Max. Temp./Pressure</b>	175 °F/200 PSIG
<b>Approx. Weight (lb.)</b>	7.0/10.0/10.0
<b>ISO Class</b>	2 Particulate



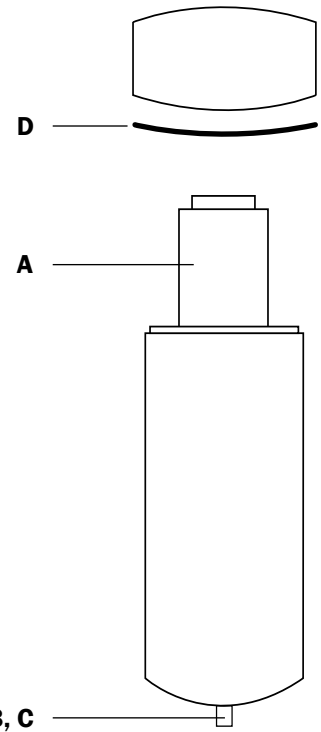
NACE Compliant

**Water**  
**Dirt**  
**Oil**  
**Oil Vapor**  
**Odor**

For higher pressure stainless steel applications, please consult factory.

# Replacement Parts & Accessories

Description	Part Number
<b>A</b> Replacement Element	1P-060/1P-120/1P-175
<b>B</b> Manual Petcock Drain	SV1-3/8
<b>C</b> Automatic Float Drain	N32-95-973-FG
<b>D</b> Bowl O-ring (60)	KSG-171
<b>D</b> Bowl O-ring (120/175)	KSG-176



# Order Guide

Drain Type	Port Size	Model Number	Dimensions (in.)		
			Height	Width	Depth
Manual	½"	1P-060-S04-P	12.0	3.0	3.3
	1"	1P-120-S08-P	16.6	3.8	4.0
Automatic	½"	1P-060-S04-F	11.0	3.0	3.3
	½"	1P-175-S04-F	19.0	5.0	5.0
	1"	1P-120-S08-F	16.0	4.0	4.0
	1"	1P-175-S08-F	19.0	5.0	5.0



# Specifications

<b>Port Sizes</b>	½", 1"
<b>Thread Styles</b>	NPT
<b>Flow Capacity</b>	60/90/150/250 SCFM @ 100 PSI
<b>Filter Capacity</b>	0.01 micron & larger
<b>Differential Pressure</b>	< 3.0 PSID at rated flow
<b>Max. Temp./Pressure</b>	150 °F/200 PSIG
<b>Approx. Weight (lb.)</b>	14.0/20.0/20.0
<b>ISO Class</b>	1 Particulate/Oil



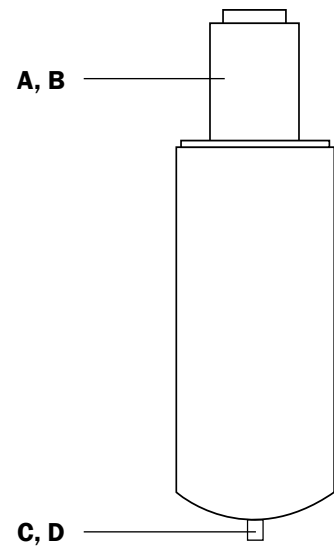
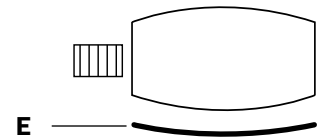
NACE Compliant

**Water**  
**Dirt**  
**Oil**  
**Oil Vapor**  
**Odor**

For higher pressure stainless steel applications, please consult factory.

# Replacement Parts & Accessories

Description	Part Number
<b>A</b> Replacement Element, 1st Stage	1P-060/1P-090/1P-150/1P-250
<b>B</b> Replacement Element, 2nd Stage	3C-060/3C-090/3C-150/3C-250
<b>C</b> Manual Petcock Drain	SV1-3/8
<b>D</b> Automatic Float Drain	N32-95-973-FG
<b>E</b> Bowl O-ring (60)	KSG-171
<b>E</b> Bowl O-ring (90/150/250)	KSG-176



# Order Guide

Drain Type	Port Size	Model Number	Dimensions (in.)		
			Height	Width	Depth
Manual	½"	1P-060-S04-DCP	12.0	6.4	3.3
	1"	1P-090-S08-DCP	16.6	7.8	4.0
	1"	1P-150-S08-DCP	16.6	7.8	4.0
	1"	1P-250-S08-DCP	19.0	10.0	5.0
Automatic	½"	1P-060-S04-DC	11.0	6.4	3.3
	1"	1P-090-S08-DC	15.6	7.8	4.0
	1"	1P-150-S08-DC	15.6	7.8	4.0
	1"	1P-250-S08-DC	19.0	10.0	5.0

# Specifications

<b>Port Sizes</b>	½", 1"
<b>Thread Styles</b>	NPT
<b>Flow Capacity</b>	60/90/150 SCFM @ 100 PSI
<b>Filter Capacity</b>	1.0 micron & larger
<b>Differential Pressure</b>	< 3.0 PSID at rated flow
<b>Max. Temp./Pressure</b>	175 °F/200 PSIG
<b>Approx. Weight (lb.)</b>	7.0/10.0/10.0
<b>ISO Class</b>	2 Particulate



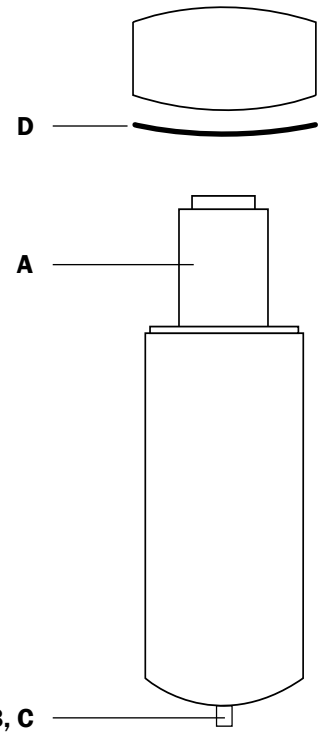
NACE Compliant

**Water**  
**Dirt**  
**Oil**  
**Oil Vapor**  
**Odor**

For higher pressure stainless steel applications, please consult factory.

# Replacement Parts & Accessories

Description	Part Number
<b>A</b> Replacement Element	3P-060/3P-090/3P-150
<b>B</b> Manual Petcock Drain	SV1-3/8
<b>C</b> Automatic Float Drain	N32-95-973-FG
<b>D</b> Bowl O-ring (60)	KSG-171
<b>D</b> Bowl O-ring (90/150)	KSG-176



# Order Guide

Drain Type	Port Size	Model Number	Dimensions (in.)		
			Height	Width	Depth
Manual	½"	3P-060-S04-P	12.0	3.0	3.3
	1"	3P-090-S08-P	16.6	3.8	4.0
	1"	3P-150-S08-P	16.6	3.8	4.0
Automatic	½"	3P-060-S04-F	11.0	3.0	3.3
	1"	3P-090-S08-F	15.6	3.8	4.0
	1"	3P-150-S08-F	15.6	3.8	4.0

# Specifications

<b>Port Sizes</b>	½", 1"
<b>Thread Styles</b>	NPT
<b>Flow Capacity</b>	60/90/150 SCFM @ 100 PSI
<b>Filter Capacity</b>	0.01 micron & larger
<b>Differential Pressure</b>	< 3.0 PSID at rated flow
<b>Max. Temp./Pressure</b>	150 °F/250 PSIG
<b>Approx. Weight (lb.)</b>	14.0/20.0/20.0
<b>ISO Class</b>	1 Particulate/Oil



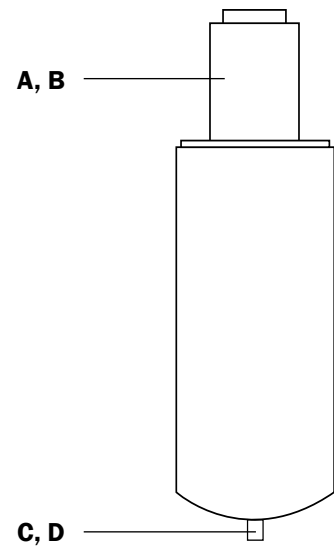
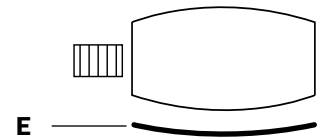
NACE Compliant

**Water**  
**Dirt**  
**Oil**  
**Oil Vapor**  
**Odor**

For higher pressure stainless steel applications, please consult factory.

# Replacement Parts & Accessories

Description	Part Number
<b>A</b> Replacement Element, 1st Stage	3P-060/3P-090/3P-150
<b>B</b> Replacement Element, 2nd Stage	3C-060/3C-090/3C-150
<b>C</b> Manual Petcock Drain	SV1-3/8
<b>D</b> Automatic Float Drain	N32-95-973-FG
<b>E</b> Bowl O-ring (60)	KSG-171
<b>E</b> Bowl O-ring (90/150)	KSG-176



# Order Guide

Drain Type	Port Size	Model Number	Dimensions (in.)		
			Height	Width	Depth
Manual	½"	3P-060-S04-DCP	12.0	6.4	3.3
	1"	3P-090-S08-DCP	16.6	7.8	4.0
	1"	3P-150-S08-DCP	16.6	7.8	4.0
Automatic	½"	3P-060-S04-DC	11.0	6.4	3.3
	1"	3P-090-S08-DC	15.6	7.8	4.0
	1"	3P-150-S08-DC	15.6	7.8	4.0

# Specifications

<b>Port Sizes</b>	½", 1"
<b>Thread Styles</b>	NPT, BSPT, BSPP
<b>Flow Capacity</b>	60/90/150 SCFM @ 100 PSI
<b>Filter Capacity</b>	1.0 micron & larger (Single Stage) 0.01 micron & larger (Combo) Activated Carbon Oil Adsorption to 0.003 PPM Hydrocarbons
<b>Differential Pressure</b>	< 3.0 PSID at rated flow
<b>Max. Temp./Pressure (Manual Drain)</b>	150 °F/250 PSIG
<b>Max. Temp./Pressure (Automatic Float Drain)</b>	125 °F/150 PSIG
<b>Approx. Weight (lb.)</b>	7.0/10.0/10.0 (Single Stage) 14.0/20.0/20.0 (Combo)
<b>ISO Class</b>	1 Particulate/Oil



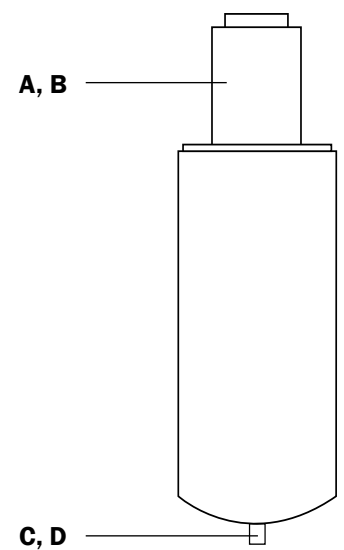
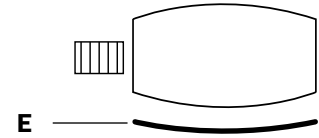
NACE Compliant

**Water**  
**Dirt**  
**Oil**  
**Oil Vapor**  
**Odor**

For higher pressure stainless steel applications, please consult factory.

# Replacement Parts & Accessories

Description	Part Number
<b>A</b> Replacement Element, 1st Stage	4P-060/4P-090/4P-150
<b>B</b> Replacement Element, 2nd Stage (Combo unit)	3C-060/3C-090/3C-150
<b>C</b> Manual Petcock Drain	SV1-3/8
<b>D</b> Automatic Float Drain	N32-95-973-FG
<b>E</b> Bowl O-ring (60)	KSG-171
<b>E</b> Bowl O-ring (90/150)	KSG-176



# Order Guide

Drain Type	Port Size	Model Number	Dimensions (in.)			Model Number (Combo Unit)	Dimensions (in.)		
			Height	Width	Depth		Height	Width	Depth
Manual	½"	4P-060-S04-P	12.0	3.0	3.3	4P-060-S04-DCP	12.0	6.4	3.3
	1"	4P-090-S08-P	16.6	3.8	4.0	4P-090-S08-DCP	16.6	7.8	4.0
	1"	4P-150-S08-P	16.6	3.8	4.0	4P-150-S08-DCP	16.6	7.8	4.0
Automatic	½"	4P-060-S04-F	11.0	3.0	3.3	4P-060-S04-DC	11.0	6.4	3.3
	1"	4P-090-S08-F	15.6	3.8	4.0	4P-090-S08-DC	15.6	7.8	4.0
	1"	4P-150-S08-F	15.6	3.8	4.0	4P-150-S08-DC	15.6	7.8	4.0

# Specifications

<b>Port Sizes</b>	½", 1"
<b>Thread Styles</b>	NPT, BSPT, BSPP
<b>Flow Capacity</b>	60/90/150/250 SCFM @ 100 PSI
<b>Filter Capacity</b>	0.01 micron & larger
<b>Differential Pressure</b>	< 3.0 PSID at rated flow
<b>Max. Temp./Pressure (Manual Drain)</b>	150 °F/250 PSIG
<b>Max. Temp./Pressure (Automatic Float Drain)</b>	125 °F/150 PSIG
<b>Approx. Weight (lb.)</b>	7.0/10.0/10.0/10.0
<b>ISO Class</b>	1 Particulate/Oil



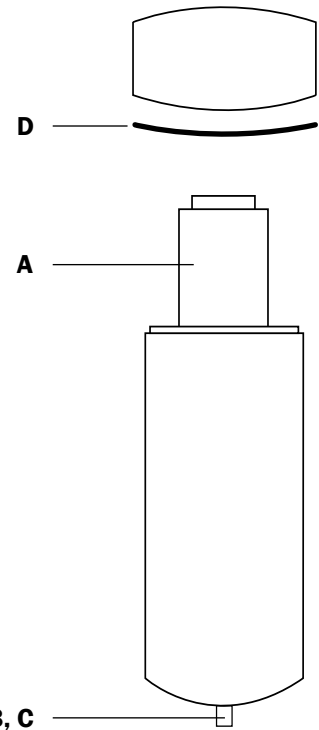
NACE Compliant

*Water  
Dirt  
Oil  
Oil Vapor  
Odor*

For higher pressure stainless steel applications, please consult factory.

# Replacement Parts & Accessories

Description	Part Number
<b>A</b> Replacement Element	3C-060/3C-090/3C-150/3C-250
<b>A</b> Replacement Element (For Grade 1)	3C-061/3C-091/3C-151/3C-251
<b>B</b> Manual Petcock Drain	SV1-3/8
<b>C</b> Automatic Float Drain	N32-95-973-FG
<b>D</b> Bowl O-ring (60)	KSG-171
<b>D</b> Bowl O-ring (90/150/250)	KSG-176



# Order Guide

Drain Type	Port Size	Model Number	Model Number (Grade 1)	Dimensions (in.)		
				Height	Width	Depth
Manual	½"	3C-060-S04-P	3C-061-S04-P	12.0	3.0	3.3
	1"	3C-090-S08-P	3C-091-S08-P	16.6	3.8	4.0
	1"	3C-150-S08-P	3C-151-S08-P	16.6	3.8	4.0
	1"	3C-250-S08-P	3C-251-S08-P	16.6	3.8	4.0
Automatic	½"	3C-060-S04-F	3C-061-S04-F	11.0	3.0	3.3
	1"	3C-090-S08-F	3C-091-S08-F	15.6	3.8	4.0
	1"	3C-150-S08-F	3C-151-S08-F	15.6	3.8	4.0
	1"	3C-250-S08-F	3C-251-S08-F	15.6	3.8	4.0

# Specifications

<b>Port Sizes</b>	½", 1"
<b>Thread Styles</b>	NPT
<b>Flow Capacity</b>	60/150 SCFM @ 100 PSI
<b>Filter Capacity</b>	0.01 micron & larger
<b>Differential Pressure</b>	< 3.0 PSID at rated flow
<b>Max. Temp./Pressure (316 Stainless Steel Housing)</b>	150 °F/250 PSIG
<b>Max. Temp./Pressure (FDA Powder Coated Aluminum Housing)</b>	175 °F/200 PSIG
<b>Approx. Weight (lb.)</b>	30.0/45.0
<b>ISO Class</b>	1 Particulate/Oil



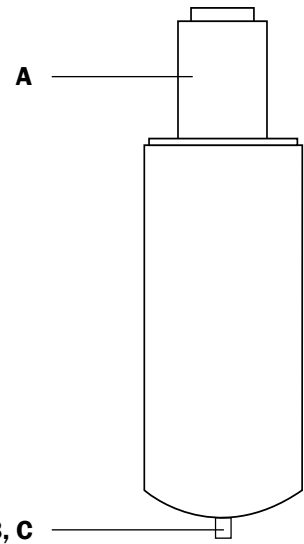
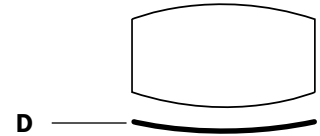
NACE Compliant

**Water**  
**Dirt**  
**Oil**  
**Oil Vapor**  
**Odor**

For higher pressure stainless steel applications, please consult factory.

# Replacement Parts & Accessories

Description	Part Number
<b>A</b> Replacement Element, 1st Stage (60/150)	4P-060/4P-150
<b>A</b> Replacement Element, 2nd Stage (60/150)	3C-060/3C-150
<b>A</b> Replacement Element, 3rd Stage (60/150)	3C-061/3C-151
<b>B</b> Manual Petcock Drain (Stainless Steel)	SV1-3/8
<b>B</b> Manual Petcock Drain (Food Grade)	PC-03
<b>C</b> Automatic Float Drain	N32-95-973-FG
<b>D</b> Bowl O-ring (60)	KSG-171
<b>D</b> Bowl O-ring (150)	KSG-176



# Order Guide

Unit Type	Port Size	Model Number	Dimensions (in.)		
			Height	Width	Depth
Stainless Steel	½"	4P-061-S04-T3C	11.1	9.8	3.3
	1"	4P-151-S08-T3C	15.8	12.5	4.0
Food Grade	½"	4P-061-F04-T3Ci	11.5	12.0	3.8
	1"	4P-151-F08-T3Ci	18.1	15.0	4.8

Food Grade certified non-toxic powder coated filters meet requirements of 21 CFR 100. Coating ingredients meet at least one section of FDA Title 21, with the exception of food items containing 8% alcohol.

# Specifications

<b>Port Sizes</b>	½", 1", 1½", 2", 3"
<b>Thread Styles</b>	NPT
<b>Flow Capacity</b>	60/175/300/400/700/1200 SCFM @ 100 PSI
<b>Filter Capacity</b>	3.0 micron & larger
<b>Differential Pressure</b>	< 1.0 PSID at rated flow
<b>Max. Temp./Pressure (Metal HP Housing)</b>	200 °F/500 PSIG
<b>Max./Pressure (Automatic Float Drain)</b>	250 PSIG
<b>Max./Pressure (Manual Drain)</b>	500 PSIG
<b>Approx. Weight (lb.)</b>	3.5 - 40.0
<b>ISO Class</b>	3 Particulate

For higher pressure units, consult factory.



**Water**  
**Dirt**  
**Oil**  
**Oil Vapor**  
**Odor**

## Order Guide

### Manual Drain

Model Number	Port Size	Flow (SCFM)	Element Part Number	Manual Drain	O-ring	Dimensions (in.)		
						Height	Width	Depth
1P-060-M04-PHP	½"	60	1P-060	RTi-PC-002	KSG-005	10.0	3.1	3.0
1P-175-M08-PHP	1"	175	1P-175	RTi-PC-002	OR-235	15.4	4.6	3.7
1M-300-M12-PHP	1½"	300	1M-300	BV-051	PHC-036	33.0	6.0	5.7
1M-400-M16-PHP	2"	400	1M-400	BV-051	PHC-036	33.0	6.0	5.7
1M-700-M16-PHP	2"	700	1M-700	BV-051	PHC-036	33.0	6.0	5.7
1M-1200-M24-PHP	3"	1200	1M-1200	BV-051	PHC-032	40.0	8.0	7.3

### Automatic Drain

Model Number	Port Size	Flow (SCFM)	Element Part Number	Automatic Drain	O-ring	Dimensions (in.)		
						Height	Width	Depth
1P-060-M04-FHP	½"	60	1P-060	AD-12	N32-95-257	10.0	3.1	3.0
1P-175-M08-FHP	1"	175	1P-175	AD-12	N32-95-235	15.4	4.6	3.7
1M-300-M12-FHP	1½"	300	1M-300	TD5	PHC-036	37.0	6.0	5.7
1M-400-M16-FHP	2"	400	1M-400	TD5	PHC-036	37.0	6.0	5.7
1M-700-M16-FHP	2"	700	1M-700	TD5	PHC-036	37.0	6.0	5.7
1M-1200-M24-FHP	3"	1200	1M-1200	TD5	PHC-032	44.0	8.0	7.3

# Specifications

<b>Port Sizes</b>	½", 1", 1½", 2", 3"
<b>Thread Styles</b>	NPT
<b>Flow Capacity</b>	60/150/300/400/700/1200 SCFM @ 100 PSI
<b>Filter Capacity</b>	0.01 micron & larger
<b>Differential Pressure</b>	< 1.5 PSID at rated flow
<b>Max. Temp./Pressure (Metal HP Housing)</b>	200 °F/500 PSIG
<b>Max. Temp./Pressure (Automatic Float Drain)</b>	250 PSIG
<b>Max. Temp./Pressure (Manual Drain)</b>	500 PSIG
<b>Approx. Weight (lb.)</b>	3.5 - 40.0
<b>ISO Class</b>	1 Particulate/Oil

For higher pressure units, consult factory.



*Water  
Dirt  
Oil  
Oil Vapor  
Odor*

## Order Guide

### Manual Drain

Model Number	Port Size	Flow (SCFM)	Element Part Number	Manual Drain	O-ring	Dimensions (in.)		
						Height	Width	Depth
3C-060-M04-PHP	½"	60	3C-060	RTi-PC-002	KSG-005	10.0	3.1	3.0
3C-150-M08-PHP	1"	150	3C-150	RTi-PC-002	OR-235	15.4	4.6	3.7
3C-300-M12-PHP	1½"	300	3C-300	BV-051	PHC-036	33.0	6.0	5.7
3C-400-M16-PHP	2"	400	3C-400	BV-051	PHC-036	33.0	6.0	5.7
3C-700-M16-PHP	2"	700	3C-700	BV-051	PHC-036	33.0	8.0	5.7
3C-1200-M24-PHP	3"	1200	3C-1200	BV-051	PHC-032	40.0	8.0	7.3

### Automatic Drain

Model Number	Port Size	Flow (SCFM)	Element Part Number	Automatic Drain	O-ring	Dimensions (in.)		
						Height	Width	Depth
3C-060-M04-FHP	½"	60	3C-060	AD-12	N32-95-257	10.0	3.1	3.0
3C-150-M08-FHP	1"	150	3C-150	AD-12	PHC-035	15.4	4.6	3.7
3C-300-M12-FHP	1½"	300	3C-300	TD5	PHC-036	37.0	6.0	5.7
3C-400-M16-FHP	2"	400	3C-400	TD5	PHC-036	37.0	6.0	5.7
3C-700-M16-FHP	2"	700	3C-700	TD5	PHC-036	37.0	6.0	5.7
3C-1200-M24-FHP	3"	1200	3C-1200	TD5	PHC-032	44.0	8.0	7.3



## Cycling Features & Benefits

- Compact size for easy fit
- Automatic timer drain (with manual override)
- Low maintenance, long life design



## Specifications

- 20-325 capacity (other sizes available)
- Max. Temp: 158 °F
- Port sizes from ½" to 2"
- Pressure Dew Point: 39° F

## Non-Cycling Features & Benefits

- Compact size for easy fit
- Automatic timer drain (with manual override)
- Low maintenance, long life design
- On/off switch with multi-function display



## Specifications

- 20-150 capacity (other sizes available)
- Max. Temp: 130 °F
- Port sizes from ½" to 4"
- Pressure Dew Point: 38° F

## Order Guide

Model Number (Cycling)	Port Size (NPT)	Flow Capacity (SCFM)	Standard Voltage	Nominal Absorption Power (kW)	Weight (lb.)	Height (in.)	Width (in.)	Depth (in.)
RDX 0020	½"	20	115V / 1Ph	0.23	82.0	22.0	17.0	16.0
RDX 0030	¾"	30	115V / 1Ph	0.24	106.0	26.0	18.0	18.0
RDX 0045	¾"	45	115V / 1Ph	0.25	112.0	26.0	18.0	18.0
RDX 0065	1"	65	115V / 1Ph	0.47	196.0	30.0	23.0	21.0
RDX 0110	1"	110	115V / 1Ph	0.51	205.0	30.0	23.0	21.0

Model Number (Non-Cycling)	Port Size (NPT)	Flow Capacity (SCFM)	Standard Voltage	Nominal Absorption Power (kW)	Weight (lb.)	Height (in.)	Width (in.)	Depth (in.)
RDNC 0020	½"	20	115V / 1Ph	0.21	55.0	19.0	15.0	20.0
RDNC 0035	½"	35	115V / 1Ph	0.29	62.0	19.0	15.0	20.0
RDNC 0050	½"	50	115V / 1Ph	0.30	71.0	19.0	15.0	20.0
RDNC 0075	1"	75	115V / 1Ph	0.45	75.0	29.0	14.0	17.0
RDNC 0100	1¼"	100	115V / 1Ph	0.70	86.0	29.0	14.0	18.0

Call factory for various power supply options for each model as well as other sizes.

# Specifications

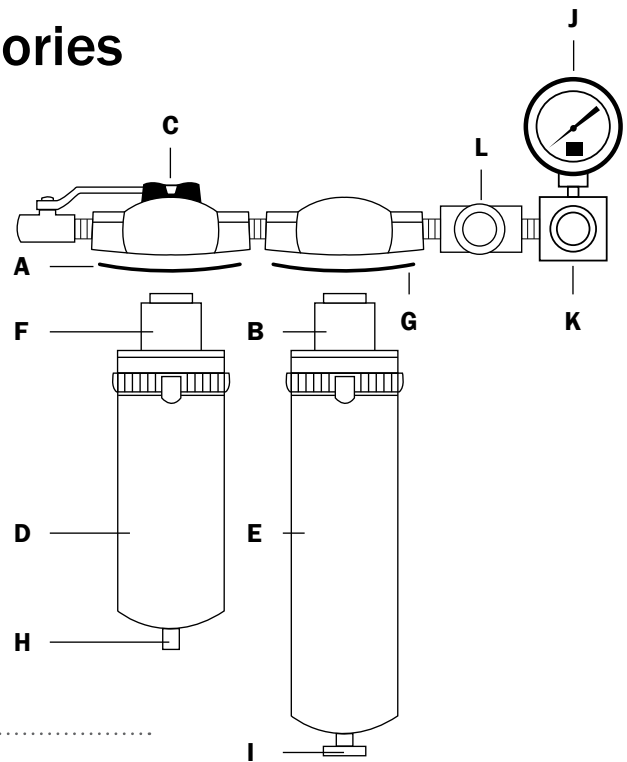
<b>Port Sizes</b>	1/4", 3/8", 1/2"
<b>Thread Styles</b>	NPT, BSPT, BSPP
<b>Flow Capacity</b>	25 SCFM @ 100 PSI
<b>Filter Capacity</b>	1.0 micron & larger Activated Carbon Oil Adsorption to 0.003 PPM
<b>Differential Pressure</b>	< 5.0 PSID at rated flow
<b>Max. Temp./Pressure (Aluminum Bowl)</b>	125 °F/150 PSIG
<b>Approx. Weight (lb.)</b>	14.0
<b>ISO Class</b>	2 Particulate/Oil & 2 Pressure Dew Point



**Water**  
**Dirt**  
**Oil**  
**Oil Vapor**  
**Water Vapor**  
**Odor**

# Replacement Parts & Accessories

Description	Part Number
<b>A</b> Replacement Element, 1st Stage	4P-060
<b>B</b> Replacement Element, 2nd Stage	DE401
<b>C</b> Differential Pressure Indicator	N32-W1-DPi
<b>C</b> Blanking Cap (Cover for units without indicator)	N32-95-020
<b>D</b> Bowl Assembly, 1st Stage: Bowl, Drain, O-ring	N34-95-201
<b>E</b> Bowl Assembly, 2nd Stage: Bowl, Drain, O-ring	N34-15-180
<b>F</b> O-ring, 1st Stage	N32-95-257
<b>G</b> O-ring, 2nd Stage	N32-95-256
<b>H</b> Automatic Float Drain, 1st Stage	N32-95-979
<b>I</b> Manual Petcock Drain, 2nd Stage	PC-03
<b>J</b> Pressure Gauge	PG-160
<b>K</b> Regulator, 1/4"	R79
<b>L</b> Sight Glass	RTi-SG-651



# Order Guide

Assembly Type	Port Size	Model Number	Dimensions (in.)		
			Height	Width	Depth
1/4" Regulator & Gauge Assembly	1/4"	E4000-2	19.0	17.0	5.4
	3/8"	E4000-3	19.0	17.0	5.4
	1/2"	E4000-4	19.0	17.0	5.4
No Regulator & Gauge Assembly	1/4"	N4000-2	19.0	14.0	5.4
	3/8"	N4000-3	19.0	14.0	5.4
	1/2"	N4000-4	19.0	14.0	5.4

# Specifications

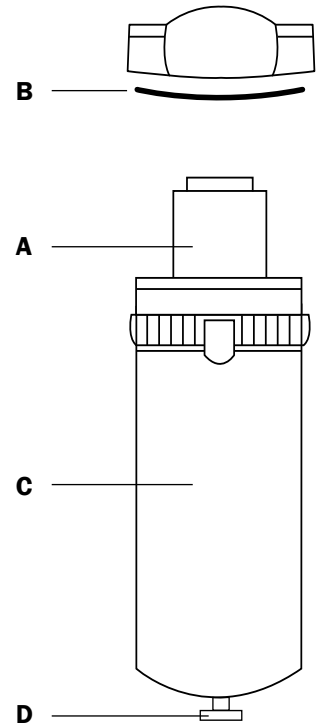
<b>Port Sizes</b>	¼", ½"
<b>Thread Styles</b>	NPT
<b>Flow Capacity</b>	See below
<b>Filter Capacity</b>	1.0 micron & larger
<b>Differential Pressure</b>	<5.0 PSID at rated flow
<b>Max. Temp./Pressure (Aluminum Bowl)</b>	175 °F/200 PSIG
<b>Max. Temp./Pressure (Polycarbonate Bowl)</b>	125 °F/150 PSIG
<b>Approx. Weight (lb.)</b>	5.0-8.0
<b>ISO Class</b>	2 Particulate/Oil & Class 2 Pressure Dew Point



**Water**  
**Dirt**  
 Oil  
 Oil Vapor  
**Water Vapor**  
 Odor

# Replacement Parts & Accessories

Description	Part Number
<b>A</b> Replacement Element	DE301/DE350/DE401
<b>B</b> Bowl O-ring (DE350-P02/P04 & DE401-M04)	N32-95-256
<b>B</b> Bowl O-ring (DE301-M04)	N32-95-257
<b>C</b> Bowl Assembly (DE301-M04): Bowl, Drain, O-ring	N34-95-201
<b>C</b> Bowl Assembly (DE350-P02/P04): Bowl, Drain, O-ring*	N32-15-167
<b>C</b> Bowl Assembly (DE401-M04): Bowl, Drain, O-ring	N34-15-180
<b>D</b> Manual Petcock Drain (DE350-P02/P04)	N32-95-182
<b>D</b> Manual Petcock Drain (DE301-M04)	PC-02
<b>D</b> Manual Petcock Drain (DE401-M04)	PC-03
Sight Glass Assembly (DE401-M04)	RTi-SG-651



# Order Guide

Model Number	Port Size	Bowl Type	Flow Capacity (SCFM)	Dimensions (in.)		
				Height	Width	Depth
DE350-P02	¼"	Poly	10	13.6	5.2	4.8
DE350-P04	½"	Poly	10	13.6	4.6	4.8
DE301-M04	½"	Metal	8	9.9	3.9	3.9
DE401-M04	½"	Metal	10	16.5	6.8	4.8

\*Poly bowls come with metal bowl guard

# Specifications

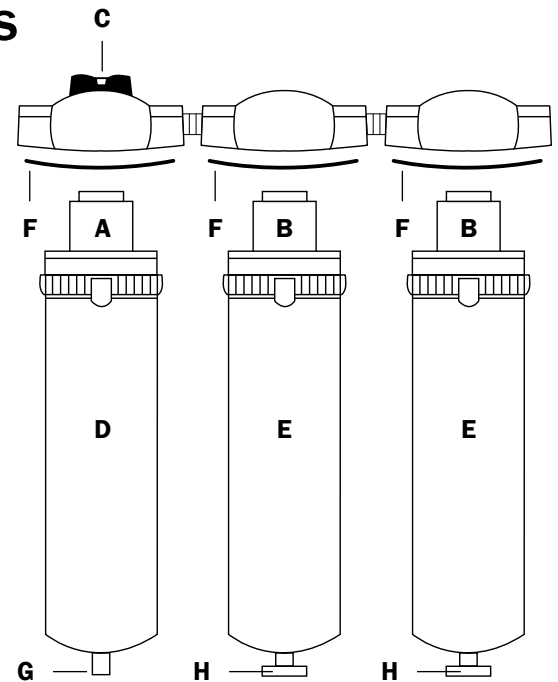
<b>Port Sizes</b>	¾", 1"
<b>Thread Styles</b>	NPT, BSPT, BSPP
<b>Flow Capacity</b>	25 SCFM @ 100 PSI
<b>Filter Capacity</b>	1.0 micron & larger Activated Carbon Oil Adsorption to 0.003 PPM
<b>Differential Pressure</b>	< 5.0 PSID at rated flow
<b>Max. Temp./Pressure (Aluminum Bowl)</b>	125 °F/150 PSIG
<b>Approx. Weight (lb.)</b>	25.0
<b>ISO Class</b>	1 Particulate/Oil & 2 Pressure Dew Point



**Water**  
**Dirt**  
**Oil**  
**Oil Vapor**  
**Water Vapor**  
**Odor**

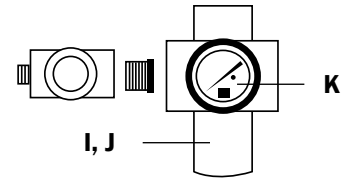
# Replacement Parts & Accessories

Description	Part Number
<b>A</b> Replacement Element, 1st Stage (E6000)	4P-090
<b>A</b> Replacement Element, 1st Stage (E8000)	4P-150
<b>B</b> Replacement Element, 2nd/3rd Stage	DE6000
<b>C</b> Differential Pressure Indicator	N32-W1-DPi
<b>C</b> Blanking Cap (Cover for units without indicator)	N32-95-020
<b>D</b> Bowl Assembly, 1st Stage: Bowl, Drain, O-ring	N34-15-178
<b>E</b> Bowl Assembly, 2nd/3rd Stage: Bowl, Drain, O-ring	N34-15-180
<b>F</b> Bowl O-ring	N32-95-256
<b>G</b> Automatic Float Drain, 1st Stage	N32-95-979
<b>H</b> Manual Petcock Drain, 2nd Stage/3rd Stage	PC-03
<b>I</b> Replacement Regulator, ¾" (E6000)	NAR5000-N06
<b>J</b> Replacement Regulator, 1" (E8000)	R1000HD-G
<b>K</b> Replacement Gauge	KSG-008



# Order Guide

Model Number	Port Size	Dimensions (in.)		
		Height	Width	Depth
E6000	¾"	18.0	30.0	5.0
E8000	1"	18.0	30.0	5.0



# Specifications

For all DRAD units

- Requires 110 volt service
- Max. inlet pressure 100 PSI on units up to 30 SCFM, 150 PSI on larger dryers
- 1.0 to 0.01 micron filtration capacity
- 100 °F inlet air temperature
- 100 °F ambient



## DRAD 4 to 30

- Compact design
- Two (2) moving parts
- -40 °F, -100 °F dew points
- Flow rates from 4-30 SCFM
- ISO Class 1 dew point
- Complete packages (-PAM) include: dryer, two (2) stage pre-filter and after-filter with metal bowls (shown below)



## DRAD 80 to 250

- Pilot air filter
- Separate drain and fill port
- Tower pressure gauge
- ASME code construction and stamped pressure vessels (6" diameter and larger)
- Front mounted control panel
- NEMA 4 electrical enclosure on units over 30 SCFM
- On/Off Switch
- Pre-piped and mounted pre-filter and after-filter
- Purge exhaust piston valve
- Non-lubricated inlet valve
- Structural steel frame with floor stand
- Full charge of desiccant
- Safety pressure relief valve for each tank
- Fail safe design against power failure: bi-directional piston valve remains in the same position to ensure air-flow throughout dryer without interruption
- Field adjustable timer cycle: 4, 10, or 15 minutes
- High efficiency angle body piston purge valve
- Springload check valves
- Stainless steel inlet/outlet diffusers
- -40 °F, -100 °F dew points
- 250 PSI
- Filters mounted

## Order Guide\*

Model Number	Flow Capacity (SCFM)	Port Size (NPT)	Weight (lb.)	Height (in.)	Width (in.)	Depth (in.)
DRAD-4-PAM	4	¼"	25.0	20.5	9.5	4.6
DRAD-8-PAM	8	¼"	30.0	27.5	9.8	4.6
DRAD-15-PAM	15	⅜"	45.0	45.0	9.8	4.6
DRAD-25-PAM	25	⅜"	65.0	51.0	10.5	4.6
DRAD-30-PAM	30	⅜"	72.0	58.0	10.5	4.6
DRAD-80-PAM	80	¾"	550.0	76.0	24.0	34.0
DRAD-100-PAM	100	1"	690.0	76.0	24.0	34.0
DRAD-150-PAM	150	1"	710.0	76.0	36.0	40.0
DRAD-250-PAM	250	1½"	1010.0	83.0	40.0	44.0

\* Dimensions listed are NOT shown with additional pre-filter and after-filters

## Filters & Filter/Regulators

- Light weight acetal body with polyamide bowl
- Filter/Regulator with glass face chrome gauge
- Semi-automatic drain with manual override
- Filter with adjustable 0-120 PSI regulator
- Can be wall mounted/panel nut mounted
- Low pressure drop



RT-F500 R500 RT-FR500-G L500

## Lubricators

- Light weight acetal body with polyamide bowl
- Siphon tube filter provides clean lubricant down stream
- Adjustable oil feed with tamper-proofing capability
- Can be filled while under pressure



MOD500 RTi-500-LO FRL500-G3

## Order Guide

### Filters

Model Number*	Port Size (NPT)	Flow Capacity (SCFM)	Maximum Supply Pressure (PSIG)	Maximum Operating Temp. (°F)	Filter Capacity	Dimensions (in.) Height x Width x Depth	Modular Connector Kit
RT-F250	¼"	30	230	120	5 micron	5.8 x 1.7 x 1.7	MOD250
RT-F380	⅜"	80	180	120	5 micron	6.9 x 2.5 x 2.1	MOD375
RT-F500	½"	80	180	120	5 micron	8.0 x 3.0 x 2.5	MOD500

### Regulators

R250-G	¼"	30	230	120	5 micron	4.0 x 1.7 x 1.7	MOD250
R380-G	⅜"	80	180	120	5 micron	5.1 x 2.5 x 2.5	MOD375
R500-G	½"	80	180	120	5 micron	5.7 x 2.5 x 2.5	MOD500

### Filter/Regulators

RT-FR250-G	¼"	30	230	120	5 micron	7.8 x 1.7 x 1.7	MOD250
RT-FR380-G	⅜"	80	180	120	5 micron	9.4 x 2.5 x 2.1	MOD375
RT-FR500-G	½"	80	180	120	5 micron	10.9 x 3.0 x 2.5	MOD500

### Lubricators

L250	¼"	30	230	120	42	6.2 x 1.7 x 1.7	--
L380	⅜"	80	180	120	68	8.0 x 2.1 x 2.5	--
L500	½"	80	180	120	140	8.9 x 2.5 x 3.0	--

\* To order Regulator without gauge, omit "-G" in model number. For Filter/Regulator without gauge, substitute "-O" for "-G" in model number.

## Accessories & Replacement Parts

### Filters

Part Number	Replacement Element	Replacement Gauge	Bowl Assy	O-Ring	Mounting Bracket (Optional)	Lockout Valve (Optional)
RT-F250	F250-E	--	F250-BMD	F250-OR	F250-BKT	RTi-250-LO
RT-F380	F380-E	--	F380-BMD	F380-OR	F380-BKT	RTi-380-LO
RT-F500	F500-E	--	F500-BMD	F500-OR	F500-BKT	RTi-500-LO

### Filter/Regulators

RT-FR250-G	FR250-E	PG-160-1.5CB	F250-BMD	F250-OR	F250-BKT	RTi-250-LO
RT-FR380-G	FR380-E	PG-160-1.5CB	F380-BMD	F380-OR	F380-BKT	RTi-380-LO
RT-FR500-G	FR500-E	PG-160-1.5CB	F500-BMD	F500-OR	F500-BKT	RTi-500-LO

# Filter/Regulators for Natural Gas

- Threaded metal bowl for ease of maintenance
- No brass or soft metals present
- 3 micron filtration
- 5 oz. bowl capacity
- Impulse drain and manual drain options
- Machined anodized aluminum, viton seals
- Non-relieving regulator, 10-130 PSIG
- Features metal bowls, non relieving regulators



## Order Guide

Model Number	Port Size (NPT)	Flow Capacity (SCFM)	Height (in.)	Width (in.)	Depth (in.)	Replacement Element	Drain Type
FRC3-M02-NRP-GS	¼"	84	10.7	2.6	2.6	RTi-21037	Manual Drain w/ SS Gauge & SS BV
FRC3-M02-NRP-G	¼"	84	10.7	2.6	2.6	RTi-21037	Manual Drain w/ SS Gauge
FRC3-M02-NRD-G	¼"	84	10.7	2.6	2.6	RTi-21037	Manual Drain w/ SS Gauge
FRC3-M03-NRP-GS	⅜"	108	10.7	2.6	2.6	RTi-21037	Manual Drain w/ SS Gauge & SS BV
FRC3-M03-NRP-G	⅜"	108	10.7	2.6	2.6	RTi-21037	Manual Drain w/ SS Gauge
FRC3-M03-NRD-G	⅜"	108	10.7	2.6	2.6	RTi-21037	Manual Drain w/ SS Gauge
FRC3-M04-NRP-GS	½"	108	10.7	2.6	2.6	RTi-21037	Manual Drain w/ SS Gauge & SS BV
FRC3-M04-NRP-G	½"	108	10.7	2.6	2.6	RTi-21037	Manual Drain w/ SS Gauge
FRC3-M04-NRD-G	½"	108	10.7	2.6	2.6	RTi-21037	Manual Drain w/ SS Gauge



# Regulators & Gauges

- Light weight, non-corrosive construction
- All stainless steel inserts on MR series regulators
- Panel nut included
- Excellent reliability



Non-Corrosive  
Acetal Resin



316 Stainless  
Steel



Brass

## Order Guide

Model Number (For unit w/gauge <sup>+</sup> )	Material	Flow Capacity (SCFM)	Adjusting Range Pressure (PSIG)	Port Size (NPT)	Max. Supply Pressure (PSIG)	Max. Operating Temp. (°F)	Dimensions (in.) Diameter x Height
R250SSMINI-G <sup>++</sup>	316 Stainless Steel/Acetal	18	5-60	¼" <sup>+++</sup>	250	200	1.4 x 2.8
R250BRMINI6-G	Brass/Acetal	18	5-60	¼" <sup>+++</sup>	250	175	1.4 x 2.8
R250SSMINI-G <sup>++</sup>	316 Stainless Steel/Acetal	18	10-130	¼" <sup>+++</sup>	250	200	1.4 x 2.8
R250BRMINI-G	Brass/Acetal	18	10-130	¼" <sup>+++</sup>	250	175	1.4 x 2.8
MR0030-01G	Acetal Resin	30	0-30	⅛"	230	125	1.6 x 3.0
MR0060-01G	Acetal Resin	30	0-60	⅛"	230	125	1.6 x 3.0
MR0120-01G	Acetal Resin	30	0-120	⅛"	230	125	1.6 x 3.0
MR1030-02G	Acetal Resin	30	0-30	¼"	230	125	1.6 x 3.0
MR1060-02G	Acetal Resin	30	0-60	¼"	230	125	1.6 x 3.0
MR1120-02G	Acetal Resin	30	0-120	¼"	230	125	1.6 x 3.0

<sup>+</sup> To order without gauge, omit '-G' from the model number.

<sup>++</sup> Stainless Steel Unit, NACE Compliant MR0175 STD, Low pressure drop, fluorocarbon diaphragm/seals.

<sup>+++</sup> Also available in ⅜" NPT ports & non-relieving types. Call factory for options.

## Replacement Gauges



**KSG-008**

2" Diameter, 0-160 PSI  
¼" Centered Back  
(HD Regulator Series)



**PG-030-15C**

1½" Diameter, 0-30 PSI  
⅛" Centered Back  
(MR Series)



**PG-160**

2" Diameter, 0-160 PSI  
⅛" Bottom Mount  
(E4000 Dryers)



**PG-160-1.5-CB**

1½" Diameter, 0-160 PSI  
⅛" Centered Back  
(MR & FR Series)



**PG-160-2.5CB-LF**

2½" Diameter, 0-160 PSI  
¼" Center Mount  
Liquid Filled



**PG-300-4-25LFCB**

4" Diameter, 0-300 PSI  
¼" Center Mount  
Liquid Filled



**PG-300-25-BOTLF**

2½" Diameter, 0-300 PSI  
¼" Bottom Mount  
Liquid Filled



**PG-300-25-CBLF**

2½" Diameter, 0-300 PSI  
¼" Center Mount  
Liquid Filled



## Specialty Filter/Regulators

- Regulators designed for gas and air service
- Aluminum alloy body with polyethylene filter
- Available in ¼" and ½" sizes

Model Number	Flow Capacity (SCFM)	Maximum Supply Pressure (PSIG)	Port Size (NPT)	Maximum Operating Temp (°F)	Weight (lb.)	Dimensions (in.) Diameter x Height
RTi-330BC-G	22	250	¼"	160	1.6	3.1 x 7.8
RTi-330-DCB-F	22	250	½"	160	1.7	3.1 x 7.2



RTi-330BC-G



RTi-330-DCB-F

## Mini Regulators

- Available in machined aluminum (R250MINI6N) or NACE MR0175 compliant with all metal components being 316 Stainless Steel (R250MINISS6N)
- Diaphragm style regulator
- Utilizes FDA approved components

Model Number	Flow Capacity (SCFM)	Maximum Supply Pressure (PSIG)	Port Size (NPT)	Maximum Operating Temp (°F)	Weight (lb.)	Dimensions (in.) Diameter x Height
R250MINI6N	18	250	¼"	175	0.4	1.4 x 2.8
R250MINISS6N	18	250	¼"	200	0.6	1.4 x 2.8



R250MINI6N

## Microregulators

- Microregulator designed for food sector applications, suggested for water pressure regulation
- Fluid: air or water
- Balanced valve
- Non-relieving function

Model Number	Flow Capacity (SCFM)	Maximum Supply Pressure (PSIG)	Port Size (NPT)	Maximum Operating Temp (°F)	Weight (lb.)	Dimensions (in.) Diameter x Height
RN250-60	16	230	¼"	122	0.2	1.1 x 2.9
RN250-SS-60	16	230	¼"	122	0.2	1.1 x 3.4



RN250-60



RN250-SS-60

# Heavy Duty Regulators

- Rugged, heavy duty high-flow design
- All metal, corrosion-resistant anodized aluminum body
- Tee handle knob, relieving type regulator
- Chemically resistant Buna N diaphragm
- Gauge included with units (also available without gauge)
- Lockout valves available
- ¼", ⅜", ½", ¾", 1", 1¼", 1½" NPT ports available
- Higher pressure units available—call factory.

Model Number (For unit w/gauge*)	Flow Capacity (SCFM)	Adjusting Range Pressure (PSIG)	Port Size (NPT)	Max. Supply Pressure (PSIG)	Max. Operating Temp. (°F)	Weight (lb.)	Dimensions (in.) Diameter x Height
R250HD-G	86	10-130	¼"	250	175	1.2	2.3 x 4.6
R380HD-G	100	10-130	⅜"	250	175	1.2	2.3 x 4.6
R500HD-G	108	10-130	½"	250	175	1.2	2.3 x 4.6
R500HD-SS-G**	108	10-130	½"	250	200	1.2	2.3 x 4.6
R750HD-G	175	10-130	¾"	250	175	3.2	3.8 x 6.8
R1000HD-G	300	10-130	1"	250	175	3.2	3.8 x 6.8
R1250HD-G	450	10-130	1¼"	250	175	3.9	4.0 x 6.8
R1500HD-G	450	10-130	1½"	250	175	3.9	4.0 x 6.8

Inlet pressure 100 PSIG (6.9 BAR). Secondary pressure 80 PSIG (5.5 BAR).

\* To order without gauge, omit '-G' from the model number.

\*\* Stainless Steel Unit, NACE Compliant MR0175 STD. Low pressure drop, fluorocarbon diaphragm/seals.

# Heavy Duty Regulator Replacement Parts

Model Number	Replacement Gauge	Repair Kit	Tamper-proof Lock Out Valve	Tamper-proof Lock Assembly
R250HD-G	KSG-008	R500HD-RK	R250HD-LO	R500HD-TLK
R380HD-G	KSG-008	R500HD-RK	R380HD-LO	R500HD-TLK
R500HD-G	KSG-008	R500HD-RK	R500HD-LO	R500HD-TLK
R750HD-G	KSG-008	R1000HD-RK	-	R1000HD-TLK
R1000HD-G	KSG-008	R1000HD-RK	-	R1000HD-TLK
R1250HD-G	KSG-008	R1000HD-RK	-	R1000HD-TLK
R1500HD-G	KSG-008	R1000HD-RK	-	R1000HD-TLK



316 Stainless Steel



Anodized Aluminum



Lockout Valve

# Lockout Valves

- Available in ¼" (LO250), ⅜" (LO380), ½" (LO500) NPT
- Body, slide & screws: Red anodized aluminum and brass
- Seals: Peroxide cured Buna
- Relieve downstream pressure in closed position
- Can be locked for safety purposes
- Pressure rating: 250 PSIG

# Filters

- Filters to 3 micron
- Anodized aluminum housing with manual or automatic drain
- Threaded bowl for ¼" to ½" sizes
- Optional sight glass available
- Economic and durable



Model Number (With automatic drain*)	Flow Capacity (SCFM)	Maximum Supply Pressure (PSIG)	Port Size (NPT)	Maximum Operating Temp. (°F)	Weight (lb.)	Dimensions (in.) Diameter x Height
F250HDMF	30	250	¼"	200	3.0	2.5 x 6.5
F380HDMF	75	250	⅜"	200	3.0	2.5 x 6.5
F500HDMF	85	250	½"	200	3.0	2.5 x 6.5
F750HDMF	175	250	¾"	200	4.0	3.8 x 8.0
F1000HDMF	240	250	1"	200	4.0	3.8 x 8.0
F1250HDMF	320	250	1¼"	200	4.5	4.0 x 10.5
F1500HDMF	400	250	1½"	200	4.5	4.0 x 10.5

\*For model with manual drain, replace "F" with "P". For model with optional sight glass, add "T" to end of model number.

# Lubricators

- Rugged, heavy duty high-flow design
- Anodized aluminum housing
- Siphon tube filter provides clean lubricant downstream
- Twist-off easy bowl removal
- Adjustable oil feed with tamper-proofing capability
- Can be filled while under pressure
- ¼" through 1½" NPT ports available



Model Number	Flow Capacity (SCFM)	Maximum Supply Pressure (PSIG)	Port Size (NPT)	Maximum Operating Temp. (°F)	Weight (lb.)	Dimensions (in.) Diameter x Height
L250HDM	40	250	¼"	200	3.0	2.5 x 6.9
L380HDM	100	250	⅜"	200	3.0	2.5 x 6.9
L500HDM	120	250	½"	200	3.0	2.5 x 6.9
L750HDM	190	250	¾"	200	4.0	3.8 x 11.3
L1000HDM	270	250	1"	200	4.0	3.8 x 11.3
L1250HDM	600	250	1¼"	200	4.5	4.0 x 11.6
L1500HDM	750	250	1½"	200	4.5	4.0 x 11.6

## Rotary Screw 5-15 HP

A great choice for almost any application. The unit has 100% duty cycle so you cannot overwork the compressor. The simple maintenance and once-a-year oil change has made this series a perfect fit for body shops and many other applications. This series is the best screw compressor assembled in the U.S.A.

- Available 5-100 HP
- Operating pressures from 100-180 PSI
- Low tip speeds on air end for long life
- Less than 3 PPM oil carry over
- One solenoid valve to operate machine
- Quiet operation
- Spin on separator & oil filter
- Oil after-cooler on all models
- 8000 hour full synthetic oil standard
- 125, 150, 175, 195 operating pressure at no extra charge
- German air end components
- Analog controls - No unnecessary unreliable microprocessor
- 5 year extended warranty available for air end
- 125, 150, 175, 195 operating pressure at no extra charge

Model Number	HP	Vertical/ Horizontal	ACFM at 150 PSI	Tank Size (gallon)	Air End	Voltage Info
RTRS51V80-1B	5	V	16.0	80	NK31	208-230/1 Phase
RTRS73V80-2B	7.5	V	26.0	80	NK31	208-230v/3 Phase
RTRS101H80-1B	10	H	40.0	80	NK31	208-230/1 Phase
RTRS153H120-2B	15	H	55.0	120	EVO3NK	208-230v/3 Phase

Please contact factory for full product line.



## Piston 5-15 HP

The Industrial Series compressors are designed for automotive and industrial applications. The CA2 pumps are manufactured for durability and long life. The units feature some of the most heavy duty components found in piston compressors today. The units run at a low RPM to provide reliable air for your application.

- Solid cast iron pump, low pump RPM
- Disk and spring valves, needle bearings
- Centrifugal unloader, oil sight glass
- Oil drain and fill on front of pump
- Heavy duty NEMA motors
- OSHA style totally enclosed belt guard
- ASME code receivers
- Operating pressures from 100-180 PSI
- Low tip speeds on air end for long life
- Less than 3 PPM oil carry over
- One solenoid valve to operate machine
- Quiet operation
- Spin on separator and oil filter
- Oil after-cooler on all models
- 8000 hour full synthetic oil standard
- 125, 150, 175, 195 operating pressure at no extra charge
- Analog controls - No unnecessary unreliable microprocessor
- 5 year extended warranty available for air end

Model Number	HP	Vertical/ Horizontal	ACFM at 150 PSI	Tank Size (gallon)	Voltage Info
RTB51V84-1B	5	V	18.0	80	208-230/1 Phase
RTB71H84-1B	7.5	H	24.0	80	208-230/1 Phase
RTB101V86-1B	10	V	35.4	80	208-230/1 Phase
RTB153H248-2B	15	H	53.4	240	208-230v/3 Phase

Please contact factory for full product line.

## Breathing Air Filtration (BRAD)



### BRAD-BD1 includes:

Pre-filter, final filter, CO monitor, 1/2" regulator with 0-160 PSI gauge, MR-1 mini regulator

- Monitors Grade "D" breathable air
- Ultra lightweight design
- Activated carbon pre-filter for hydrocarbon removal to 0.003 PPM
- 0.01 micron final filter—fine particulate and oil removal at 99.9998%
- Dual 1/2" outlets with 1/4" high flow quick disconnects
- Rated for up to 60 SCFM
- Heavy duty, high flow regulator with FDA lubricant
- 0-60 PSIG mini-regulator controls air pressure to monitor
- Low purge loss through monitor
- 110 Volt AC Electrical
- 1-2 operators
- Easy install: Assembly is mounted on a 3/4" board



**BRAD-CM3**  
CO Monitor



**BRAD-BD1-PRO**  
BRAD-BD1 with stand

## Parts & Accessories

Description	Part Number
<b>A</b> Full Face Mask Assembly with Flow Control Valve	BRAD-M1C
<b>B</b> Flip Up Mask Assembly with Flow Control Valve	BRAD-M2C
<b>C</b> Disposable Hood Assembly with Flow Control Valve	BRAD-M3C
<b>D</b> Peel Off Lens (25 pack for BRAD-M1C)	BRAD-M1-LC
<b>E</b> Peel Off Lens (10 pack for BRAD-M2C)	BRAD-M2-LC
<b>F</b> Peel Off Lens (10 pack for BRAD-M3C)	BRAD-M3-LC
<b>G</b> Breathing Air Hose, 35'	HVHA-B35C
<b>H</b> Breathing Air Hose, 50'	HVHA-B50C
<b>I</b> Humidifier	BRAD-HD1
<b>J</b> Vordex Cooler	BRAD-VC
<b>K</b> Regulator, 1/2"	R500
<b>L</b> Gauge, 0-160 PSIG (For R500)	PG-160
<b>M</b> Mini Regulator	MR1060-020
<b>N</b> Gauge, 0-160 PSIG (For MR1060-020)	PG-060-1.5-CB

Consult factory for full list of accessories.



**A**



**B**



**C**



**D, E, F**



**G, H**



**I**



**J**



**K**



**L**



**M**



**N**

3 mask styles available with operator kits. Contact factory for options.

## Stands



**3P-150-M08-FIST**  
Unit with stand:  
Eliminizer®, 150 SCFM\*  
1" NPT with stand



**3P-060-M04-FRLST**  
FRL unit with stand:  
Eliminizer®, 60 SCFM\*  
½" NPT with stand



**EH-STAND-2**  
Stand only:  
Eliminator® II  
Demo unit



**3P-150-M08-DCST**  
Combo unit with stand:  
Eliminizer® Combo,  
150 SCFM\*  
1" NPT with stand

\* Consult factory for additional filter units available with stands.

## Standard Automatic Replacement Drains



**N32-95-973**  
Automatic float, plastic  
⅜" Tube outlet



**N32-95-979**  
Automatic float, composite/plastic  
¼" NPT outlet



**N32-95-XD8**  
Automatic float, external bowl  
½" NPT inlet  
⅜" NPT outlet

## Standard Manual Replacement Drains



**PC-02**  
¼" Petcock, brass



**PC-03**  
⅜" Petcock, brass



**BV-051**  
½" Ball valve, brass



# Additional Drip Leg & Receiver Tank Drains



### RTi-MGD Mini MAG Drain

- Compact magnetic zero air loss drain
- Extremely compact, easy to install
- No electricity required
- No operating costs, perfect for all applications, especially those where electricity is not available
- Reliable operation with most condensate
- Rugged aluminum housing; lightweight, yet strong and durable
- Max. drainage: 54 gallons per hour
- Inlet/outlet: 1/2" / 1/8"
- Max. pressure/temp.: 230 PSI/122°F



### ED-2-4 Electronic Timer Drain

- Adjustable discharge
- Span & interval with manual override
- Includes brass strainer with shut-off valve for easy maintenance
- On/off indicator lights
- Mounts 1/4" male or 1/2" NPT female drain lines/parts in any position
- Max. pressure/temp.: 230 PSI/120°F
- 1/4" female or 1/2" male NPT inlet port
- 1/4" NPT outlet port (on valve)
- 115V, 60 HZ, single phase
- NEMA 4 rating on valve and timer



### TD-5 Tank Drain

- Combination automatic float & manual petcock drain
- 1/2" NPT inlet port – on top
- Sturdy, non-corrosive metal housing
- Easy to remove and clean
- Pipe into bottom of compressor tank
- Automatic drain with 3/8" OD tube outlet
- Use for drip legs
- Inlet filter screen protects drains
- Ideal for bottom of drip legs
- Two (2) piece housing w/ o-ring seal



### HPD600-03, -04 High Pressure Drains

- Condensate removal
- Pressures up to 600 PSIG
- Temperatures to 220°F (104°C).
- Automatic & positive drain
- Removes condensate from compressed air systems with minimum air loss and rapid shutoff on no load conditions
- Stainless steel internals
- Will not freeze when installed in vertical position with muffler removed
- No need to drain air lines through manual valves or petcocks
- Drain-Air available in 3/8" and 1/2"
- Mini-Drain available in 1/8" and 3/8"
- Drain-Air: Forged body with stainless steel internal mechanism and nylon muffler
- Mini-Drain: All stainless steel integral body with nylon muffler



### RTi-APD Automatic Piston Drain

- Competitive "true green" solution
- No operating costs
- No electricity required to operate the drain; Install & Go!
- Operating pressure up to 230 PSI
- Reduced stocking costs - 1 model covers 3500 SCFM
- Suitable for any type of compressed air system
- No complicated sizing charts required
- Compact/unique design
- Successful draining of condensate due to large orifice
- Integrated strainer
- TEST feature
- Robust aluminum housing
- Direct acting valve construction for a reliable condensate discharge operation

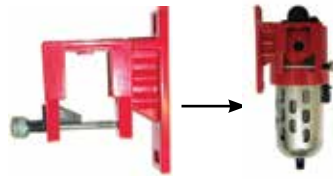
## Mounting Brackets



Example  
3P-020-M02-Fi  
mounted with  
GPA-95-016

**GPA-95-016**

20 SCFM only, wall mounted



Example  
3P-020-M02-Fi  
mounted with  
N34-95-969

**N34-95-969**

20 SCFM only

(Can be used to connect combo unit modularly)



**BK-1**

60 SCFM only, wall mounted  
(Combo units require two)



**PB-004**

1/2" models only, supports units on pipe  
(Units can still rotate)



**N32-95-734**

1/4" - 1" Units

1/4" x 1/2" slots, on 1 1/2" centers  
(Universal pipe bracket)

## Differential Pressure Indicators



**N32-W1-DPi**

Differential pressure indicator  
(Used on most models 1/4" - 2" NPT)



**N32-W1-PS-DPi**

DPI with pressure switch that  
generates electrical signal  
(Optional on Eliminox® units)



**N32-95-020**

Blanking cap  
(To replace indicator)

## High Flow Couplers & Plugs

Easy assembly/disassembly • High quality brass construction • High pressure applications • 1/4" (-1), 3/8" (-3)



**HFFC-3**



**HFFC-1**



**HFFP-3**



**HFFP-1**



**HFMC-3**



**HFMC-1**



**HFMP-3**



**HFMP-1**

Compatible with our PH35C conductive hoses. Consult factory



## For Eliminex® Units

1P-060	60 SCFM
1P-090	90 SCFM
1P-120	120 SCFM
1P-150	150 SCFM
1P-175	175 SCFM
1M-300	300 SCFM
1M-400	400 SCFM
1M-700	700 SCFM
1M-1200	1200 SCFM
1M-2500	2500 SCFM
1M-5500	5500 SCFM



**1P  
&  
1M**

**3.0 micron & larger**

*Media: Washable Stainless Steel Mesh*

## For Coalescing Units

3C-020	20 SCFM
3C-021*	20 SCFM
3C-060	60 SCFM
3C-061*	60 SCFM
3C-090	90 SCFM
3C-091*	90 SCFM
3C-150	150 SCFM
3C-151*	150 SCFM
3C-250	250 SCFM
3C-251*	250 SCFM
3C-300	300 SCFM
3C-301-1*	300 SCFM
3C-400	400 SCFM
3C-401-1*	400 SCFM
3C-700	700 SCFM
3C-701-1*	700 SCFM
3C-1200	1200 SCFM
3C-1201*	1200 SCFM
3C-1900	1900 SCFM
3C-3000	3000 SCFM



**3C**

**0.01 micron & larger. Oil removal to 0.01 PPM.  
Oil absorption to .003 PPM when combined with  
4P element**

*Media: Long lasting borosilicate material*

\* **Grade 1:** A finer grade coalescing element with a rating of 0.01 micron at 99.99998% Grade 2 is standard

## For Eliminizer® Units

3P-020	20 SCFM
3P-035	35 SCFM
3P-060	60 SCFM
3P-090	90 SCFM
3P-150	150 SCFM



**3P**

**1.0 micron & larger**

*Media: Stainless Steel Mesh  
& Woven Cotton/Polyester  
Blend*

## For Oil Extractor Units

4P-060	60 SCFM
4P-090	90 SCFM
4P-150	150 SCFM



**4P**

**1.0 micron & larger. Oil  
absorption to .003 PPM.  
Recommended use in  
combination with 3C  
element**

*Media: Stainless Steel Mesh,  
Woven Cotton, & Activated  
Carbon*

## For Desiccant Dryers

DE301	15 SCFM
DE401	25 SCFM
DE6000	25 SCFM



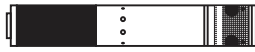
**DE**

**1.0 micron**

*Media: Activated Alumina  
desiccant beads*

*Crossover elements, after-market elements, water-oil separators, and medical grade filters are available.  
Call factory for more information.*

## Membrane Filters



**RTi-MB02-D**

- High flow ¼" inlet mini membrane unit
- Provides consistent dew pt. suppression
- Saves energy with zero electricity
- Max. temp./pressure: 140 °F/100 PSIG
- Flow rate: 3.7 SCFM inlet, 3.3 SCFM outlet. Dew point suppression: 65 °F at inlet dew point 100 °F



**RTi-MB03-D**

- High flow ⅜" inlet mini membrane unit
- Provides consistent dew pt. suppression
- Saves energy with zero electricity
- Max. temp./pressure: 140 °F/100 PSIG
- Flow rate: 11 SCFM inlet, 9.9 SCFM outlet. Dew point suppression: 35 °F at inlet dew point 100 °F



**RTi-MB-04**

- ¼" inlet membrane dryer unit
- Low purge air consumption
- 0.01 micron filtration of particulate and oil removal to 0.003 PPM
- Max. temp./pressure: 140 °F/180 PSIG
- Heavy duty ¼" regulator: 10-130 PSI
- Powder coated, durable epoxy coating, ½" NPT, aluminum shell, nylon end cap

## 2" High Pressure Filter Units



**1M-700-M16-PHP**

- High Pressure Eliminox® unit
- 700 SCFM at 100 PSI
- Metal bowl with manual drain
- 2" NPT threads



**3C-700-M16-PHP**

- High Pressure Coalescing unit
- 700 SCFM at 100 PSI
- Metal bowl with manual drain
- 2" NPT threads

## Medical Grade Filters



**RTi-IFBarb-02**



**RTi-IF1-02**

## Air Amplifiers

- Grouping of fan nozzle/air amplifiers shown with many options and two colors (Blue/Yellow):
  - ¼" simple fan nozzle/amplifier (RNF-2B/RNF-2Y)
  - ¼" fan nozzle/amplifier with brass plug (RNF-2BP/RNF-2YP)
  - ¼" fan nozzle/amplifier with brass plug and cheater valve (RNF-2BCP/RNF-2YCP)
- Perfect for air blow off in booths:
  - Blow off waterborne base coats for faster re-coat or top coat applications
  - Allows for faster flash times



**RNF-2B**

(shown, available in yellow: RNF-2Y)



**RNF-2YP**

(shown, available in blue: RNF-2BP)



**RNF-2BCP**

(shown, available in yellow: RNF-2YCP)

## CV-02 Cheater Valve

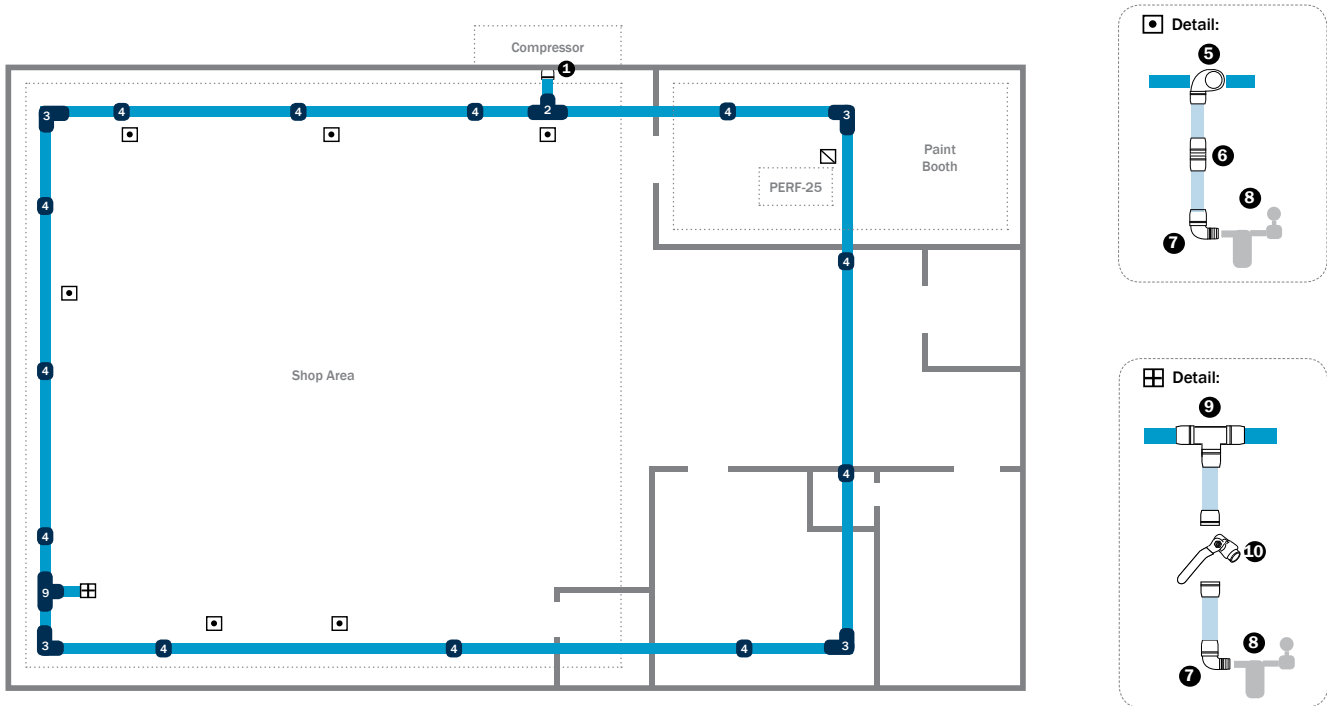
- Needle valve adjustment for precision settings
- Great for spray equipment and pneumatic tools
- Machined aluminum valve body
- Precision machined aluminum valve using needle valve construction for precision air flow to spray gun
- 0-60 PSIG operating range
- ¼" NPT connections
- Rugged lightweight design
- Comes standard with a gauge
- Easy to read 1½" 0-60 PSIG chrome gauge with glass lens



# Modular Blue Piping Overview

- High quality, lightweight aluminum piping
- Perfect compliment to our Perfect Air® line
- Wide variety of accessories make installation a breeze
- Easy to install, easy to change, no welding or tapping

*Below is a sample layout of a shop incorporating Modular Blue Piping.  
For more information, call RTi at 800-521-9200 or visit our website at [www.driair.com](http://www.driair.com)!*



## The Case for Aluminum Piping

- Aluminum pipe systems are much easier to install and to modify than steel or copper pipe systems. Labor savings of 65% can be achieved since aluminum pipe is supplied ready for use. Preparations beyond cutting, deburring, and chamfering are not required, nor are special tools needed. Aluminum pipe is calibrated, meaning that its diameter is strictly controlled. This means that associated quick connect components will fit securely.
- Aluminum pipe is much lighter than steel or copper pipe and does not require threading or soldering.
- The compressed air provided by a system built with aluminum piping is much cleaner than air delivered by a steel pipe system. Aluminum pipe systems can help meet the requirements of ISO 8573-1:2010 air quality standards, should the application require it. Cleaner air also means lower maintenance costs.
- Corrosion-resistant properties of aluminum pipe mean optimal air flow, reduced energy costs, and better air quality.
- The fittings used with aluminum pipe systems fit securely and leak far less than the fittings used with threaded systems. This translates directly into energy savings and improved plant productivity.

# Blue Pipe Parts and Accessories



**Alum./Double Bend Alum. Pipe**

Model Number	Sizing	
	Outer Diameter	Length
RTi-P34-20	20 mm	¾"
RTi-P1-20	25 mm	1"
RTi-P114-20	32 mm	1¼"
RTi-P112-20	40 mm	1½"
RTi-P2-20	50 mm	2"
RTi-DB12	16 mm	½"
RTi-DB34	20 mm	¾"
RTi-DB1	25 mm	1"



**Equal Tee/Reducing Tee/Female NPT Tee**

Model Number	Sizing	
	Port 1	Port 2
RTi-T12	16 mm	½"
RTi-T34	20 mm	¾"
RTi-T1	25 mm	1"
RTi-RT34-12	20 x 16 mm	¾" x ½"
RTi-RT1-12	25 x 16 mm	1" x ½"
RTi-RT1-34	25 x 20 mm	1" x ¾"
RTi-RT114-34	32 x 20 mm	1¼" x ¾"
RTi-FT34-12	20 mm x ½" NPT	¾" x ½"
RTi-FT1-12	25 mm x ½" NPT	1" x ½"



**Couplers/Endcaps**

Model Number	Sizing	
	Outer Diameter	Length
RTi-PC12	16 mm	½"
RTi-PC34	20 mm	¾"
RTi-PC1	25 mm	1"
RTi-PC114	32 mm	1¼"
RTi-EC12	16 mm	½"
RTi-EC34	20 mm	¾"
RTi-EC1	25 mm	1"
RTi-EC114	32 mm	1¼"



**Alum. Nipple Socket (Male/Female)**

Model Number	Sizing	
	Port 1	Port 2
RTi-NSA34-12	20 mm x ½" NPT	¾" x ½"
RTi-NSA34-34	20 mm x ¾" NPT	¾" x ¾"
RTi-NSA1-1	25 mm x 1" NPT	1" x 1"
RTi-FNSA34-12	20 mm x ½" NPT	¾" x ½"
RTi-FNSA34-34	20 mm x ¾" NPT	¾" x ¾"
RTi-FNSA1-1	25 mm x 1¼" NPT	1" x 1"



**45° Elbow/ 90° Elbow**

Model Number	Sizing	
	Outer Diameter	Length
RTi-E45-34	20 mm	¾"
RTi-E45-1	25 mm	1"
RTi-E90-12	16 mm	½"
RTi-E90-34	20 mm	¾"
RTi-E90-1	25 mm	1"
RTi-E90-114	32 mm	1¼"



**Quick Branch Droplet (Female NPT)**

Model Number	Sizing	
	Port 1	Port 2
RTi-QBT1-12	25 mm x ½" NPT	1" x ½"
RTi-QBT114-12	32 mm x ½" NPT	1¼" x ½"
RTi-QBT112-12	40 mm x ½" NPT	1½" x ½"

For complete list of pipe lengths, part numbers, or accessories, visit our website at [www.driair.com](http://www.driair.com) or call 800-521-9200.

**Understanding the Blue Piping Part Numbering System**

**RTi** +

- P** - Pipe
- NS** - Nipple Socket
- PC** - Socket Coupling
- E45** - 45° Elbow
- E90** - 90° Elbow
- RT** - Reducing Tee

+

- 12** - ½"
- 34** - ¾"
- 1** - 1"
- 114** - 1¼"
- 112** - 1½"

**Example:**

90° Elbow in ½": **RTi-E90-12**  
1" Alum. Piping (19'): **RTi-P1-20**

## RTi-QAT Kit: Quality Air Tester

In just a few minutes, you could save thousands of dollars by identifying the 3 major causes of refinish problems:

- Inadequate compressed air supply
- Compressed air humidity
- Particulate contamination

Accurately test the quality of the air in compressed air lines, filters, hoses and related equipment.

Clean dry air, free from humidity, oil, and particulate contamination is essential for many professional applications.

## Excellent Sales Tool

Requires some initial training for use

## Excellent Maintenance Tool



RTi-QAT (contents)



RTi-QAT

**Our kit checks critical aspects of your paint air, at the point of use & throughout the entire facility:**

- Static air pressure
- Dynamic air pressure
- Air dew point
- Air contamination (dirt, water, and oil)
- Air temperature
- Relative humidity

**Kit contains:**

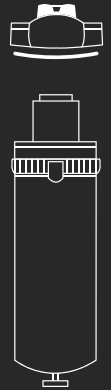
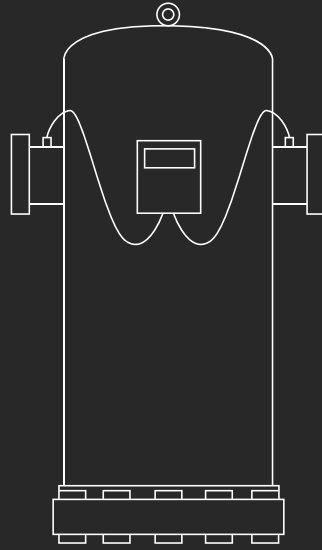
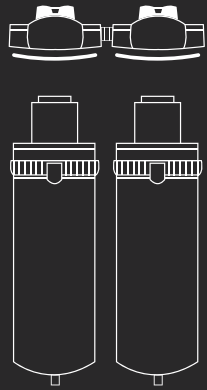
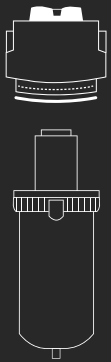
- Contaminant Checker  
Sampler vessel with contaminant capturing membrane disc, & magnifying lens with integral light source
- Precision Air Regulator  
With pressure gauge to control air to vessel
- RH Humidity Checker, 0-100% Range  
Measures compressed air temperature & dew point. (Paint MFR's now specify 10% RH or lower)
- Operator's Manual  
With shop compressed air audit form

**RTI** takes pride in giving our customers an **excellent customer service experience**. From the employees in the corporate office to our regional sales managers, we strive to meet all of our customer's needs.

**We are not limited** to "standard" products. If you do not see what your customer needs, **ask us**. We can custom engineer a product or system that will exceed your needs and expectations.

**Support** for our product lines does not end after the ship date. Our regional sales managers & technical support are available each business day...

**...Because your business matters.**



**Reading Technologies, Inc.**

1060 Old Bernville Road, Suite 400  
Reading, PA 19605

T (800) 521 9200 | F (610) 372 1984

[www.driair.com](http://www.driair.com)