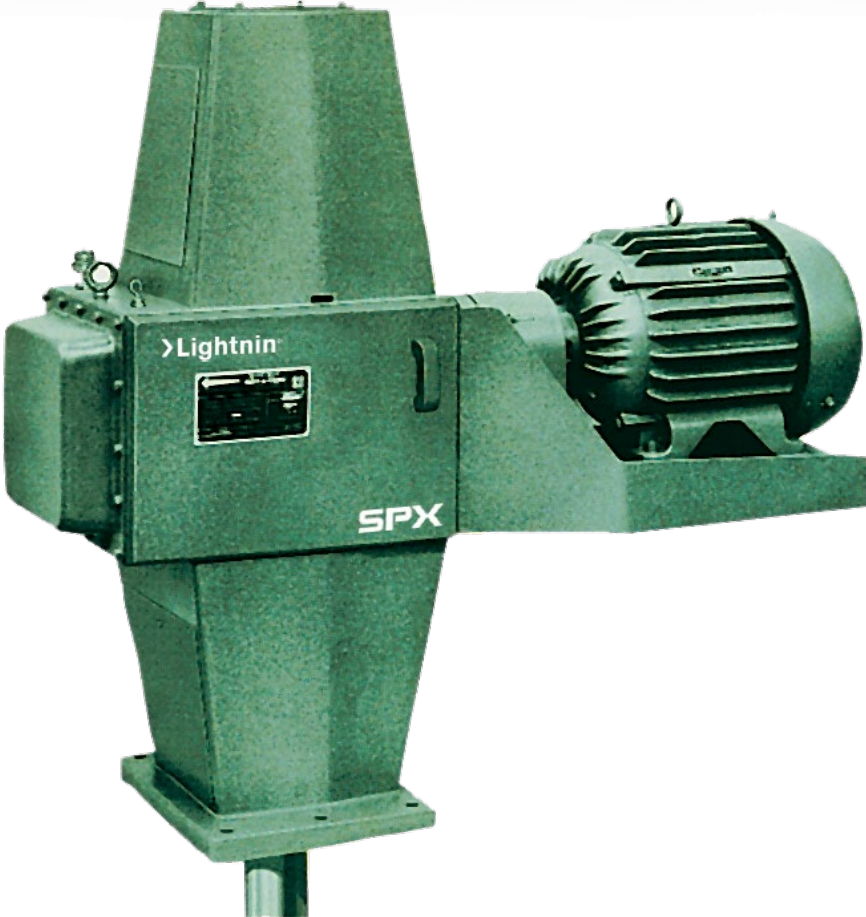


Series 80 Mixers

ROBUST MIXERS FOR HEAVY DUTIES



A World Leader in Industrial Mixing since 1923, Lightnin has 90 years of unrivaled experience in industrial mixing technology, process knowledge, and technological innovation. Lightnin enjoys a global reputation for durable, long-lasting mixers, agitators, aerators, and flocculators for fluid process systems. We offer a full spectrum of impeller designs for diverse applications. In addition, we offer a worldwide service network, mixer repair, gearbox repair, and replacement parts programs. Look to Lightnin for knowledge, technology, and service excellence.

SPX FLOW, Inc. (NYSE:FLOW) is a leading manufacturer of innovative flow technologies, many of which help define the industry standard in the market segments they serve. From its headquarters in Charlotte, North Carolina, it operates a sales and support network, centers of manufacturing excellence, and advanced engineering facilities, throughout the world. Its cutting-edge flow components and process equipment portfolio includes a wide range of pumps, valves, heat exchangers, mixers, homogenizers, separators, filters, UHT, and drying technology that meet many application needs. Its expert engineering capability also makes it a premium supplier of customized solutions and complete, turn-key packages to meet the most exacting of installation demands. Incorporating many leading brands, SPX FLOW has a long history of serving the food and beverage, power and energy, and industrial market sectors. Its designs and engineered solutions help customers drive efficiency and productivity, increase quality and reliability, and meet the latest regulatory demands. In-depth understanding of applications and processes, state-of-the-art Innovation Centers, and advanced pilot/testing technology further assist in optimizing processes and reducing timescales to reliably meet production targets. To learn more about SPX FLOW capabilities, its latest technology innovations and complete service offerings, please visit www.spxflow.com.

The Lightnin Shock Absorber - Series 80

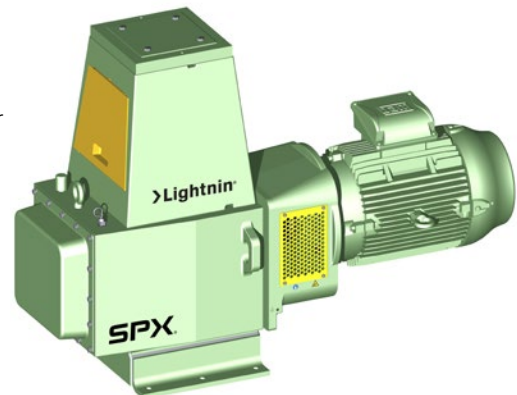
Thousands of Lightnin Mixers with hollow quill drives have been placed in service since we first created the design in the late 1960's to protect the gear train from severe flexures of the shaft. The exclusive hollow quill became part of the Series 80 mixers at that time. Since then, the design has written a singular record for isolating shaft flexures and assuring longer life in some of the toughest applications imaginable. Series 80 mixers are especially recommended for processes with high fluid forces on the impellers, and long impeller shaft applications. Gearing is the same as used in our Series 70 and 500 mixers. Altogether, there are tens of thousands of these drives at work every day around the world. It's our standard and the standard of the industry.



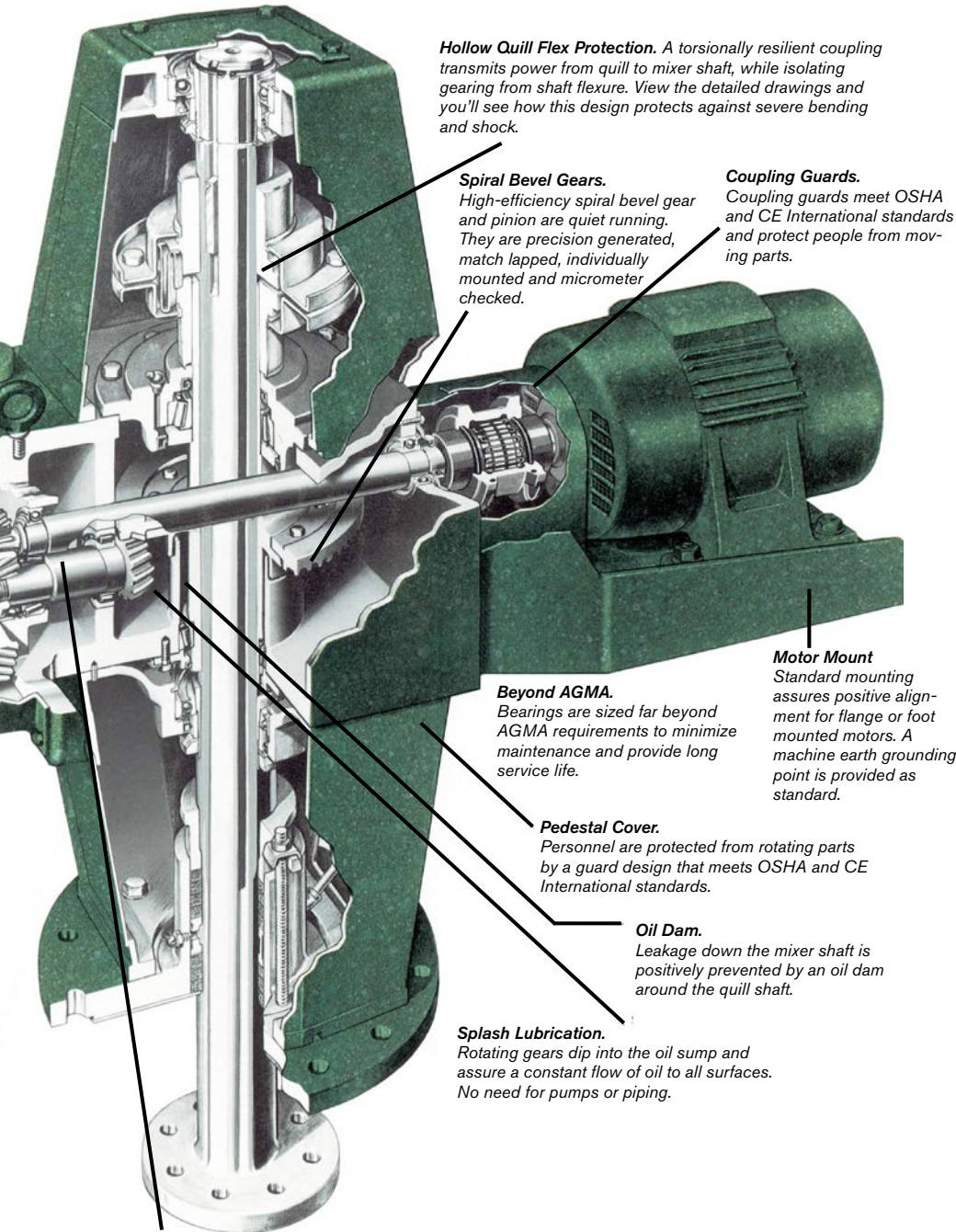
PRODUCT BENEFITS AND FEATURES

- **1 kW – 150 kW (1 - 200 HP):** Lightnin Series 80 mixers cover the range from 1 kW – 150 kW (1-200 hp). They are available in both double and triple reduction gearing, and come in a full range of standard AGMA speeds from 280 down to 16.5 rpm.
- **Full Spectrum of Impellers:** Series 80 mixers offer a full choice of impellers in order to optimize your process results. Included are the high-flow A310/A510, as well as other high performance and more traditional impellers, so we can match shear and flow to your process requirements exactly.
- **Guaranteed Performance:** Together, we decide what mixing should do to optimize your process. Then, we recommend the impeller, mixer speed, shaft length and other specifications. And we guarantee performance results.
- **Tested 100%:** We employ a non-load test run on every Series 80 before it is shipped.

Open Tank Models- Series 80 models for open tanks require minimum headroom to simplify installation.



THEORY OF OPERATION:



Hollow Quill Flex Protection. A torsionally resilient coupling transmits power from quill to mixer shaft, while isolating gearing from shaft flexure. View the detailed drawings and you'll see how this design protects against severe bending and shock.

Spiral Bevel Gears. High-efficiency spiral bevel gear and pinion are quiet running. They are precision generated, match lapped, individually mounted and micrometer checked.

Coupling Guards. Coupling guards meet OSHA and CE International standards and protect people from moving parts.

Beyond AGMA. Bearings are sized far beyond AGMA requirements to minimize maintenance and provide long service life.

Motor Mount Standard mounting assures positive alignment for flange or foot mounted motors. A machine earth grounding point is provided as standard.

Pedestal Cover. Personnel are protected from rotating parts by a guard design that meets OSHA and CE International standards.

Oil Dam. Leakage down the mixer shaft is positively prevented by an oil dam around the quill shaft.

Splash Lubrication. Rotating gears dip into the oil sump and assure a constant flow of oil to all surfaces. No need for pumps or piping.

Change Gears. Easily replaceable, helical gears are standard, so speed changes are easily made to meet new process requirements. No special tools. No need to dismantle the mixer or remove it from the tank. Heavy wall pinions provide maximum protection against damage from accidental overloads.

Mechanical Seals. The replaceable cartridge design, a Lightnin original, is standard on Series 80 units. Light-weight. Easy to replace. No other design offers so much convenience. Integral stuffing box and open tank designs also available.

LightninLube™

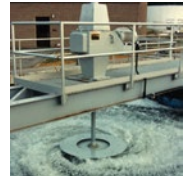
As part of our commitment to our Customers and their operations, SPX has introduced LightninLube™, a range of gear oil for our Lightnin Mixers. It is available to order with your new equipment or as a maintenance item throughout the life of your equipment. LightninLube is manufactured to AGMA Standard 8005-D94. Our synthetic oils are designed to give you a wide operating range and are available in ISO 100, ISO 150, ISO 220 and ISO 320 grades. Contact our Service department or your Sales Representative to discuss your needs.

Typical product applications

Series 80 Mixers are a highly efficient heavy-duty mixer, suitable for use in a wide range of applications.

We guarantee, 100%, that every mixer will do the job we say it will do. We guarantee the desired mixing result, and we give you a full mechanical guarantee.

Aeration



High Solids Concentration
Mineral Processing



Tall Tanks



Gassed Processes

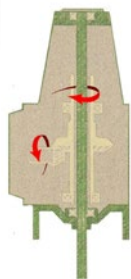


SPXFLOW

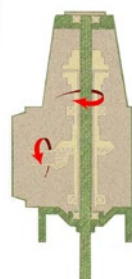
EXCLUSIVE HOLLOW QUILL CONSTRUCTION:



Hollow quill assembly with bevel gear is mounted in its own heavy-duty bearings.



Mixer shaft is supported independently. It is mounted in separate bearings that carry only the mixer shaft loads.



Mixer shaft is flexibly coupled to the quill. A torsionally resilient coupling transmits power from quill to mixer shaft, through a steel taper grid member that freely adjusts to shaft flexure.



Shaft flexure is isolated from gears. The drawing shows in exaggerated fashion how the mixer shaft can flex dramatically in the hollow quill with no effect on the drive. Gearing is protected to add years of service.

SPX FLOW, Inc. - Global locations

USA

13320 Ballantyne Corporate Place
Charlotte, NC 28277
United States of America
+1 704 752 4400

CHINA

7F Nanfung Tower
1568 Hua Shan Road
Shanghai 200052 China
P: +86 (21) 22085889

UK

Ocean House,
Towers Business Park
Didsbury, Manchester
M20 2LY, UK
P: +44 161 249 1170

MIDDLE EAST FZE

P.O Box 299745,
Downtown Jebel Ali
The Galleries 4
Dubai, U.A.E.
P: +971 4 8143400

SPX FLOW, LLC - LIGHTNIN & PLENTY MIXERS

135 Mt. Read Blvd.
Rochester, NY 14611
P: +1 (888) 649-2378 (MIX-BEST), (US and Canada) or +1 (585) 436-5550
F: +1 (585) 436-5589
E: lightnin@spxflow.com ▪ www.spxflow.com/lightnin

For other Sales locations, click
www.spxflow.com/lightnin/contacts/where-to-buy/
or use your SmartPhone and the QR Code.



SPX FLOW, Inc. reserves the right to incorporate our latest design and material changes without notice or obligation.

Design features, materials of construction, and dimensional data, as described in this bulletin, are provided for your information only and should not be relied upon unless confirmed in writing. Please contact your local sales representative for product availability in your region. For more information, visit www.spxflow.com.

The green "▶" and "✕" are trademarks of SPX FLOW, Inc.